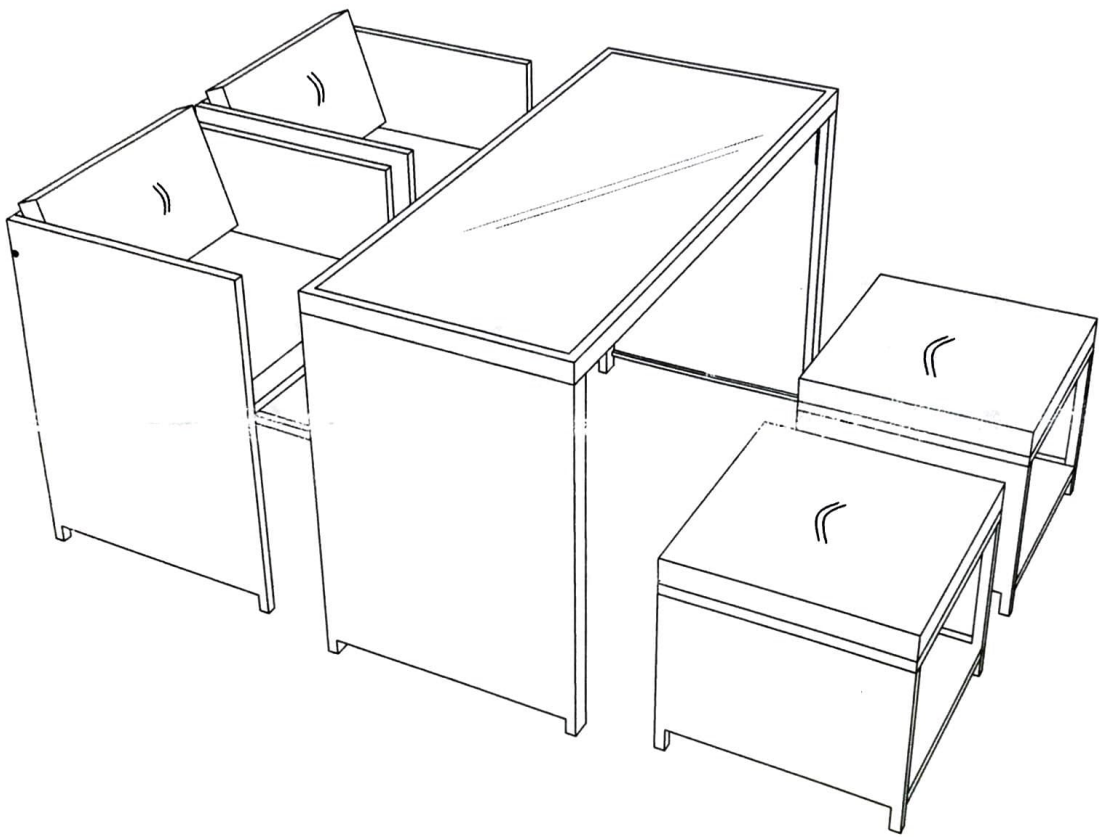
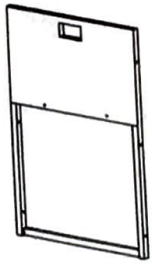


# ASSEMBLY INSTRUCTION

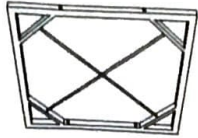
## 5PCS ARIES SET



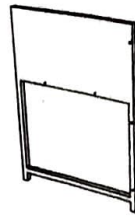
# COMPONENTS:



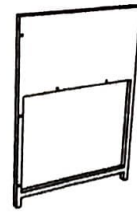
(A) x2



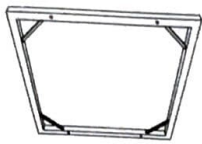
(B) x2



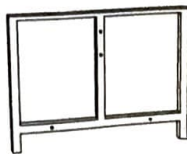
(C) x2



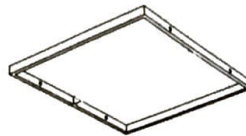
(D) x2



(E) x2



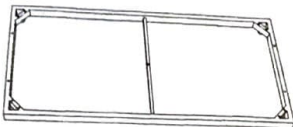
(F) x4



(G) x2



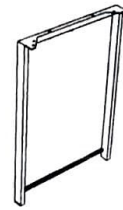
(H) x2



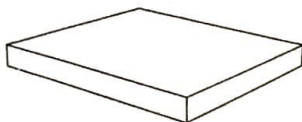
(I) x1



(J) x1



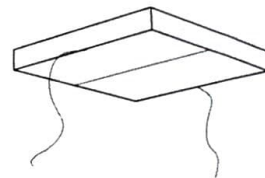
(K) x2



(L) x2



(M) x2



(N) x2

# HARDWARE:



Bolt M6x40mm = 36 pcs



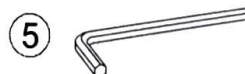
Bolt M6x30mm = 8 pcs



Bolt M6x20mm = 16 pcs

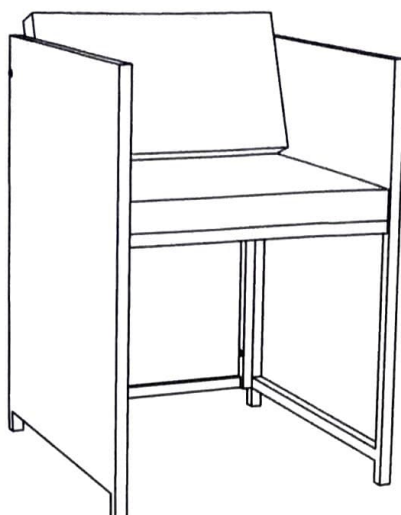


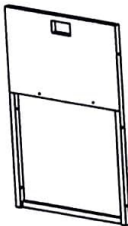
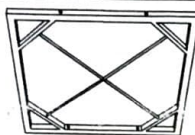
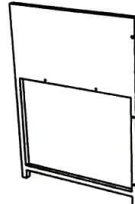

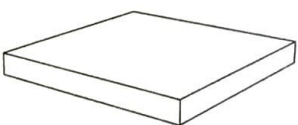
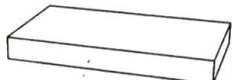
Washer = 60 pcs






Allenkey = 2 pcs

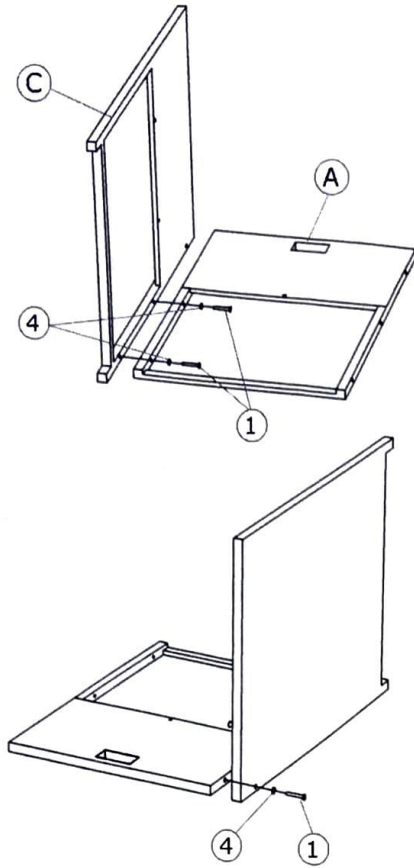
# X2



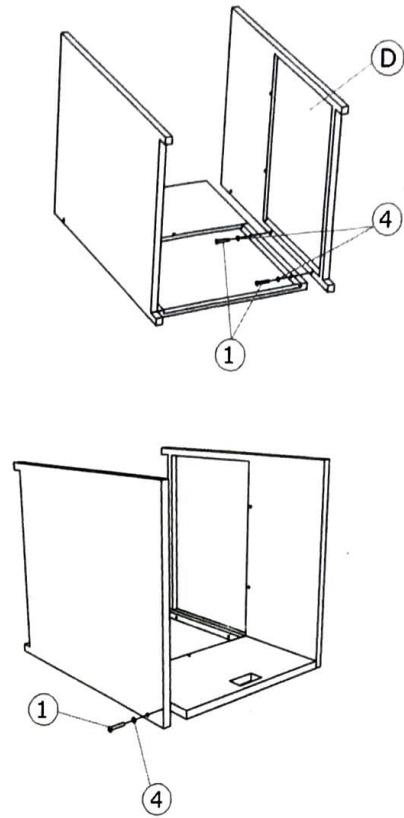
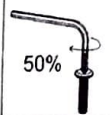
A		1 PC
B		1 PC
C		1 PC
D		1 PC
L		1 PC
M		1 PC

1	 M6x40 mm	12 PCS
4	 Ø6 x 14 mm	12 PCS
5	 Allenkey 4 x 80	1 PC

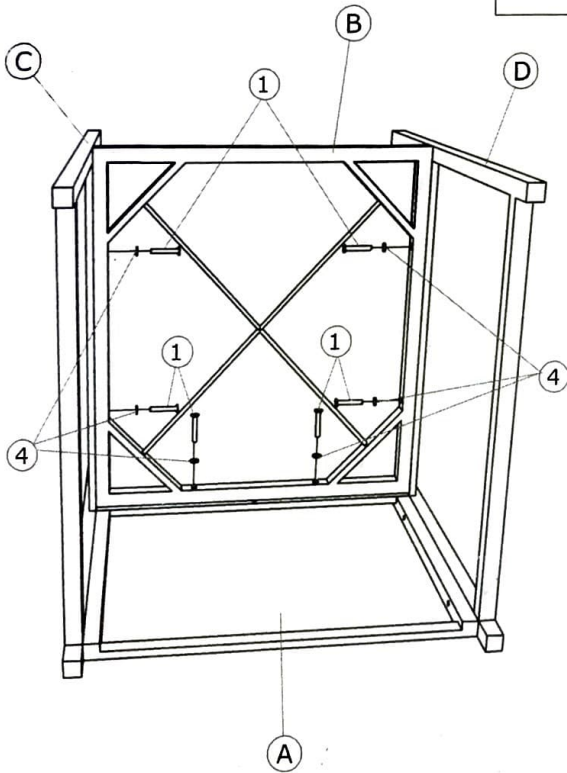
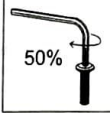
Step 1:



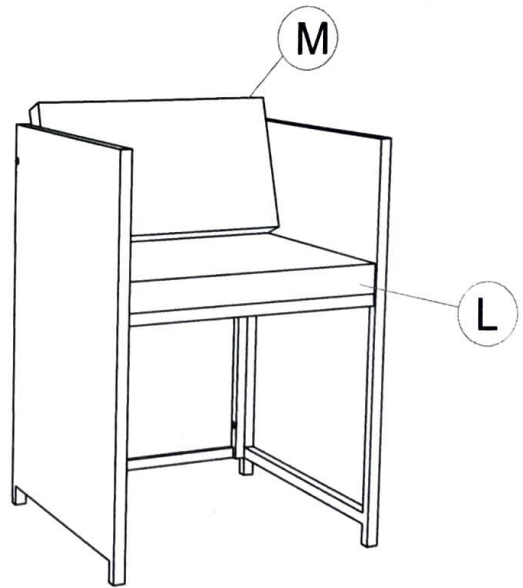
Step 2:



Step 3:

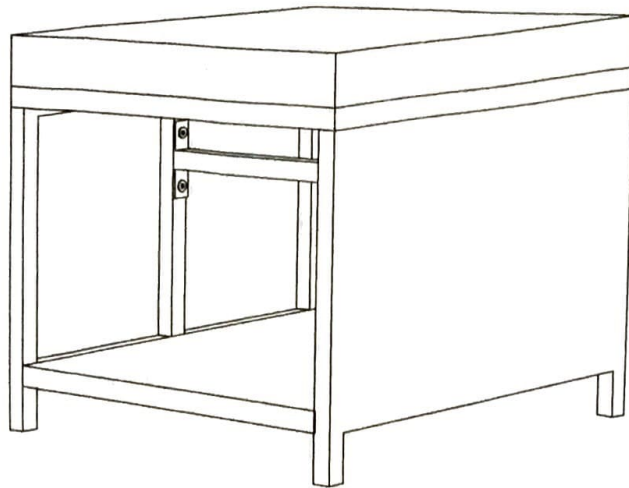


Step 4:



**FINISH**

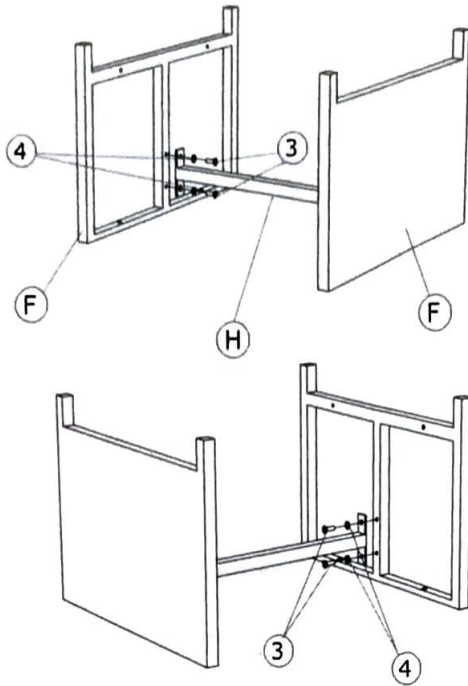
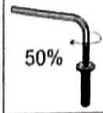
# X2



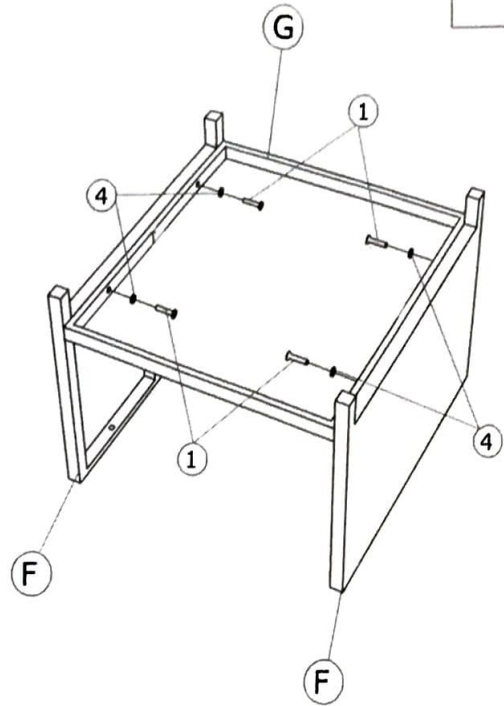
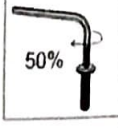
E		1 PC
F		2 PCS
G		1 PC
H		1 PC
N		1 PC

1	 M6x40 mm	4 PCS
2	 M6x30 mm	4 PCS
3	 M6x20 mm	4 PCS
4	 Ø6 x 14 mm	12 PCS
5	 Allenkey 4 x 80	1 PC

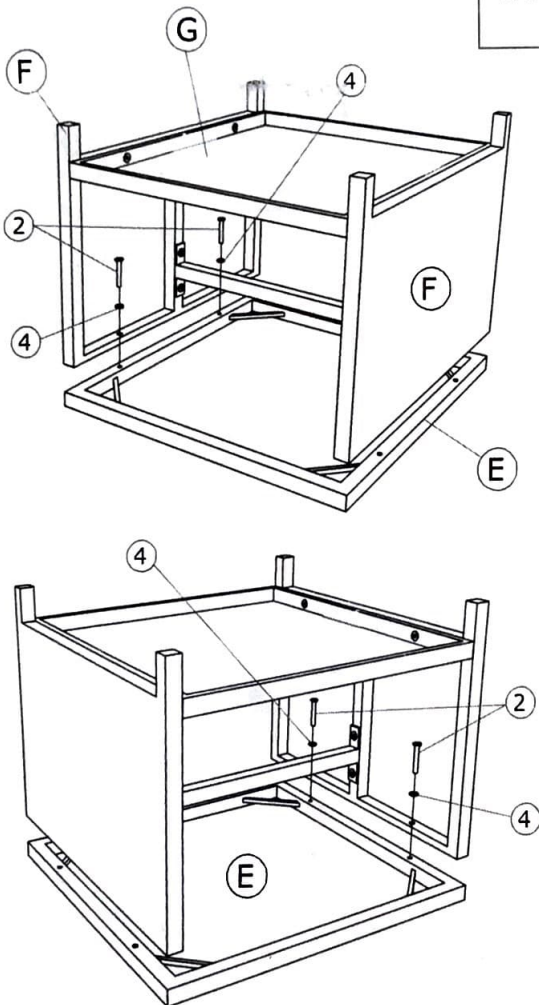
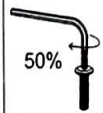
Step 1:



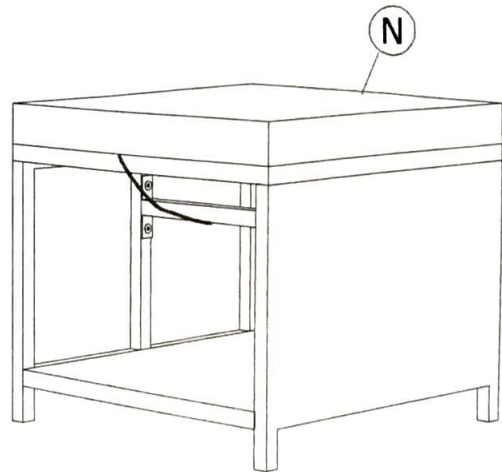
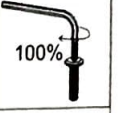
Step 2:



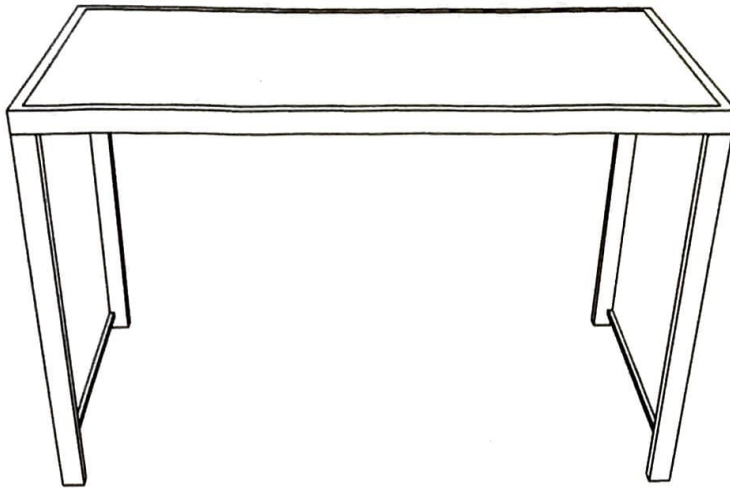
Step 3:

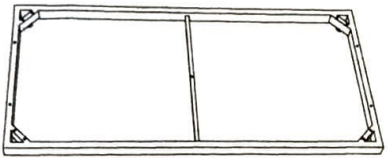

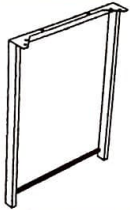






Step 4:



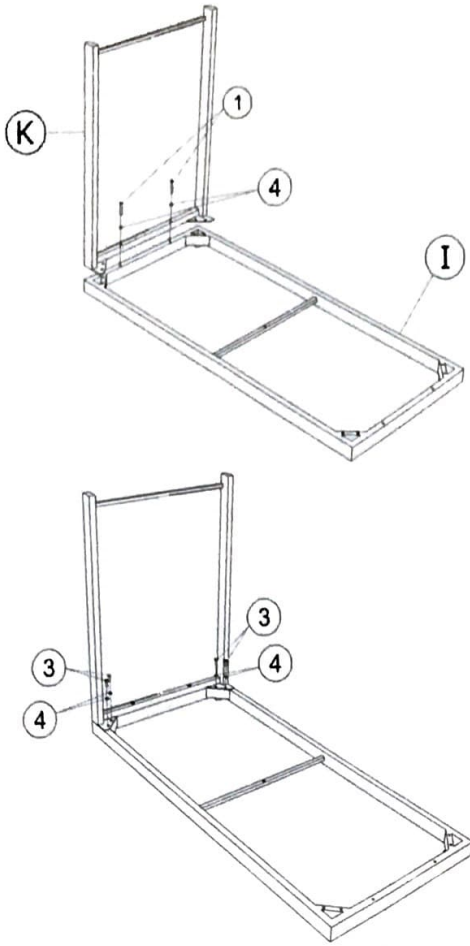
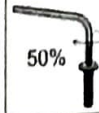
**FINISH**



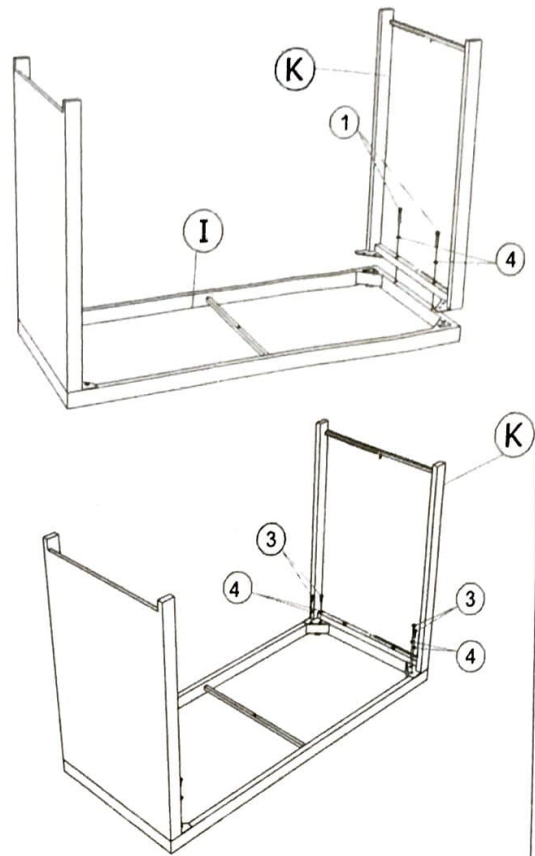
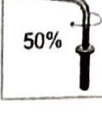
I		1 PC
J		1 PC
K		2 PCS

1	 M6x40 mm	4 PCS
3	 M6x20 mm	8 PCS
4	 Ø6 x 14 mm	12 PCS
5	 Allenkey 4 x 80	1 PC

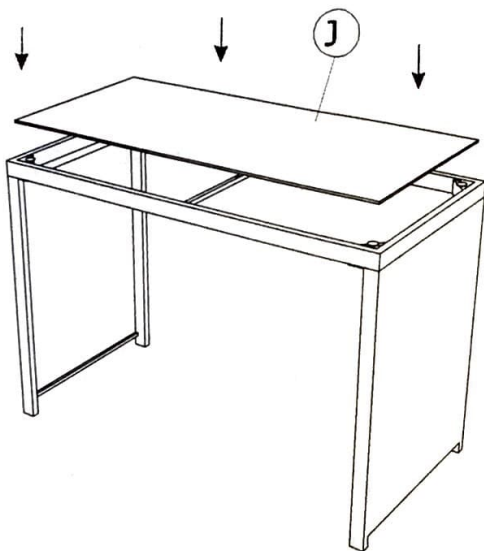
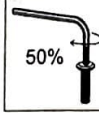
Step 1:



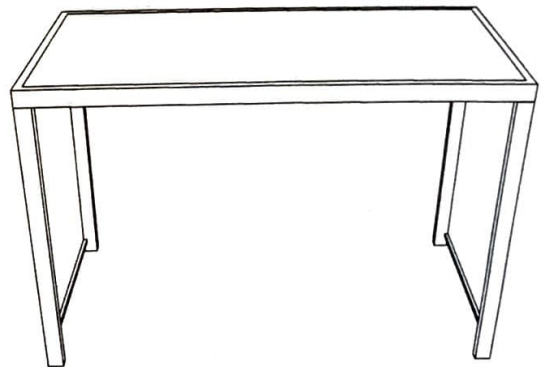
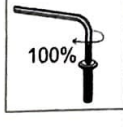
Step 2:



Step 3:



Step 4:



**FINISH**



