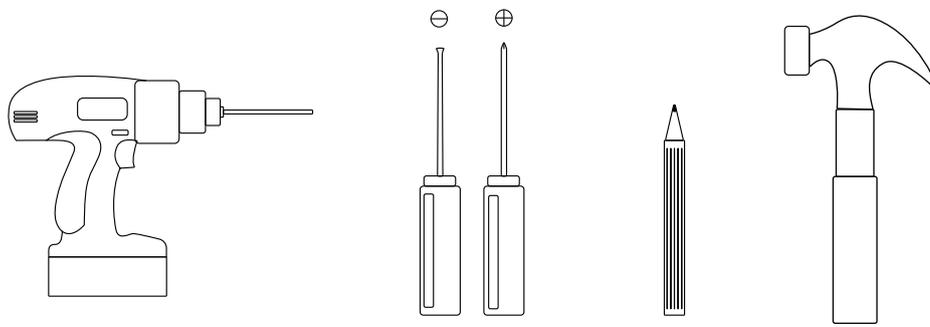
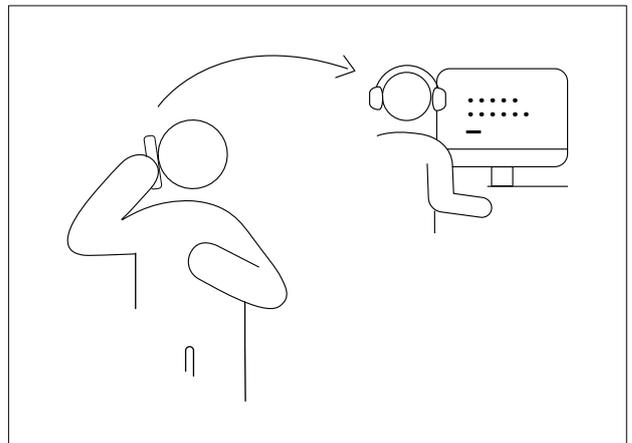
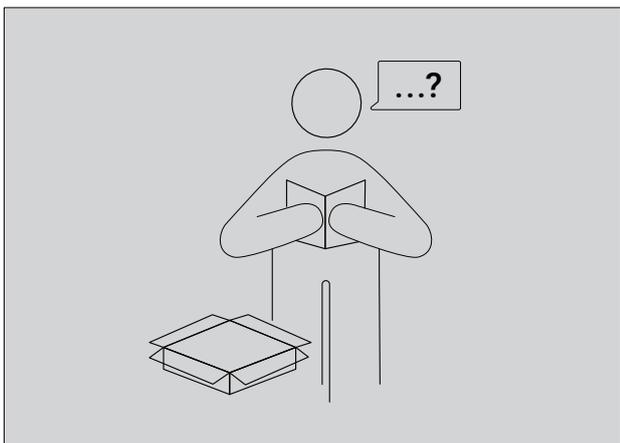
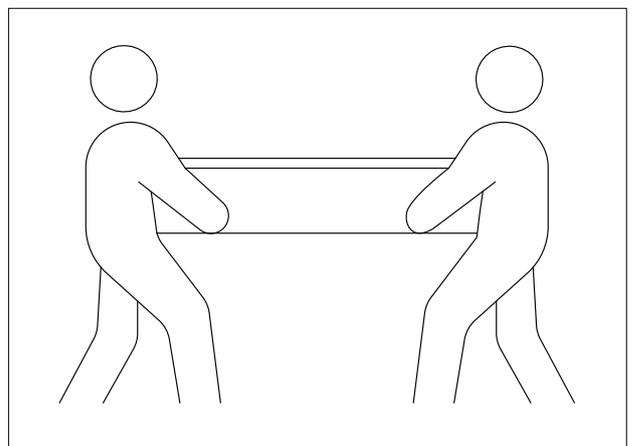
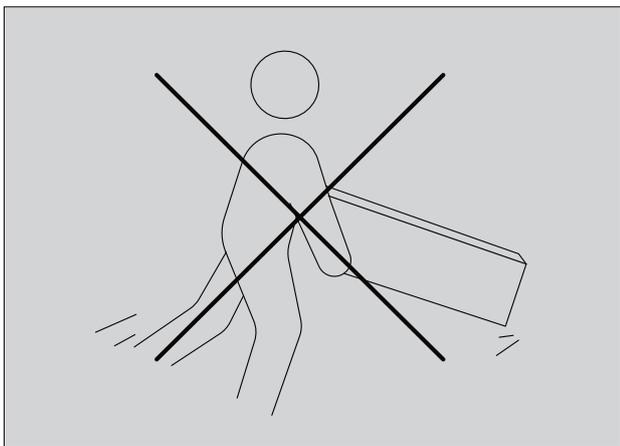
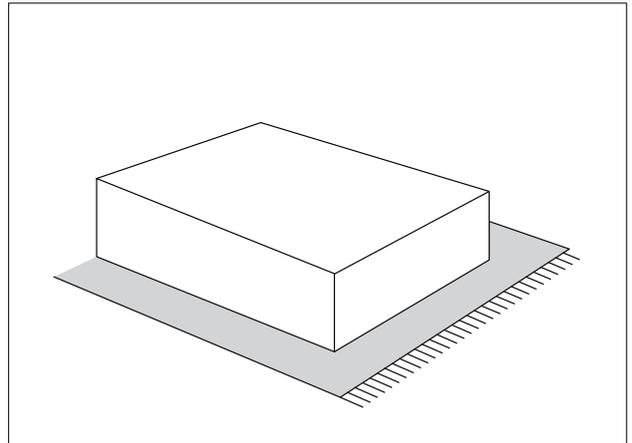
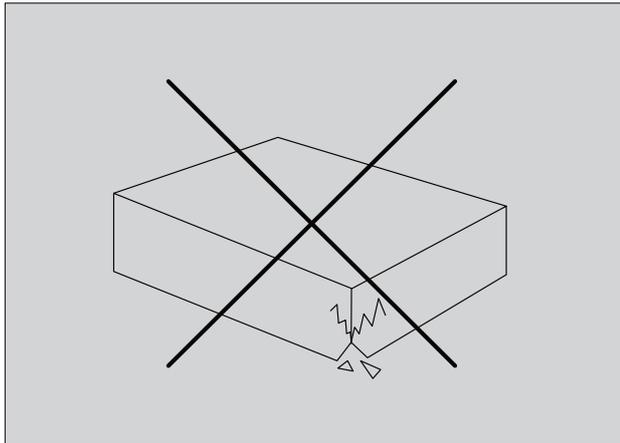


End Table

Perfectly designed with simplicity in mind

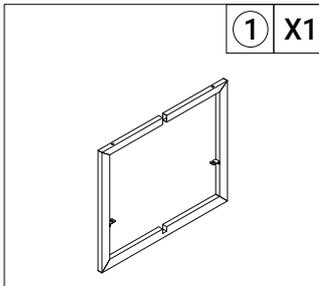


If you have these tools at home to assist you, assembly will be quicker.
If not, no worries, we have included everything required for assembly in the package.

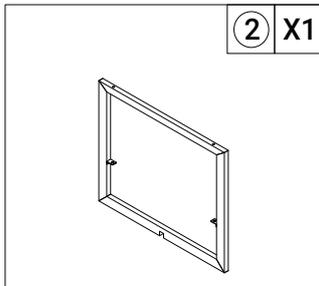


PARTS

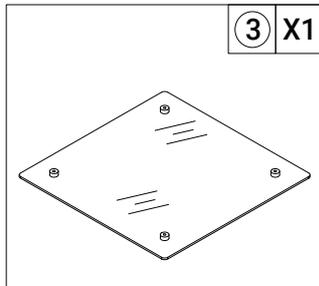
① X1



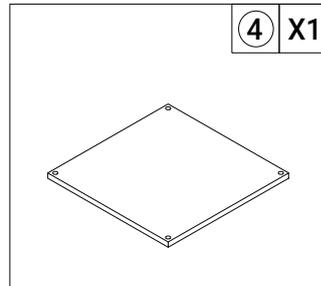
② X1



③ X1



④ X1



HARDWARE

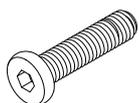
M6*12mm

Ⓐ X7



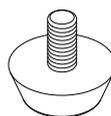
M6*35mm

Ⓑ X4



Ø22*M6*20mm

Ⓒ X4

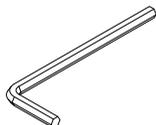


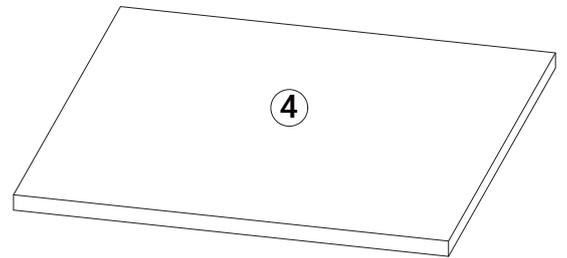
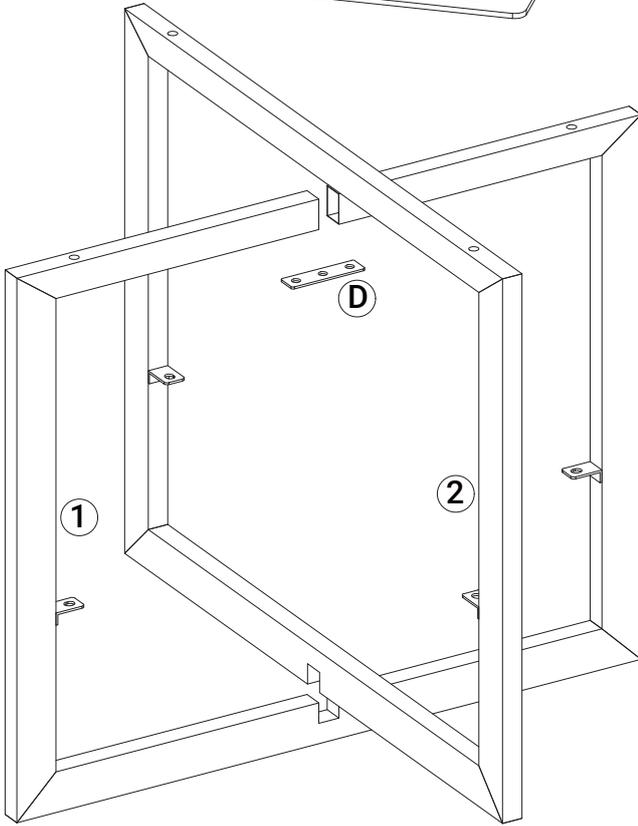
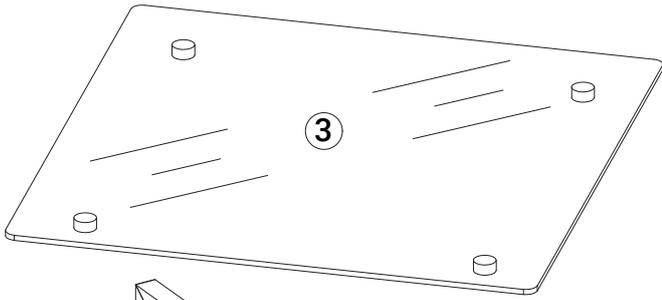
75*20*2

Ⓓ X1

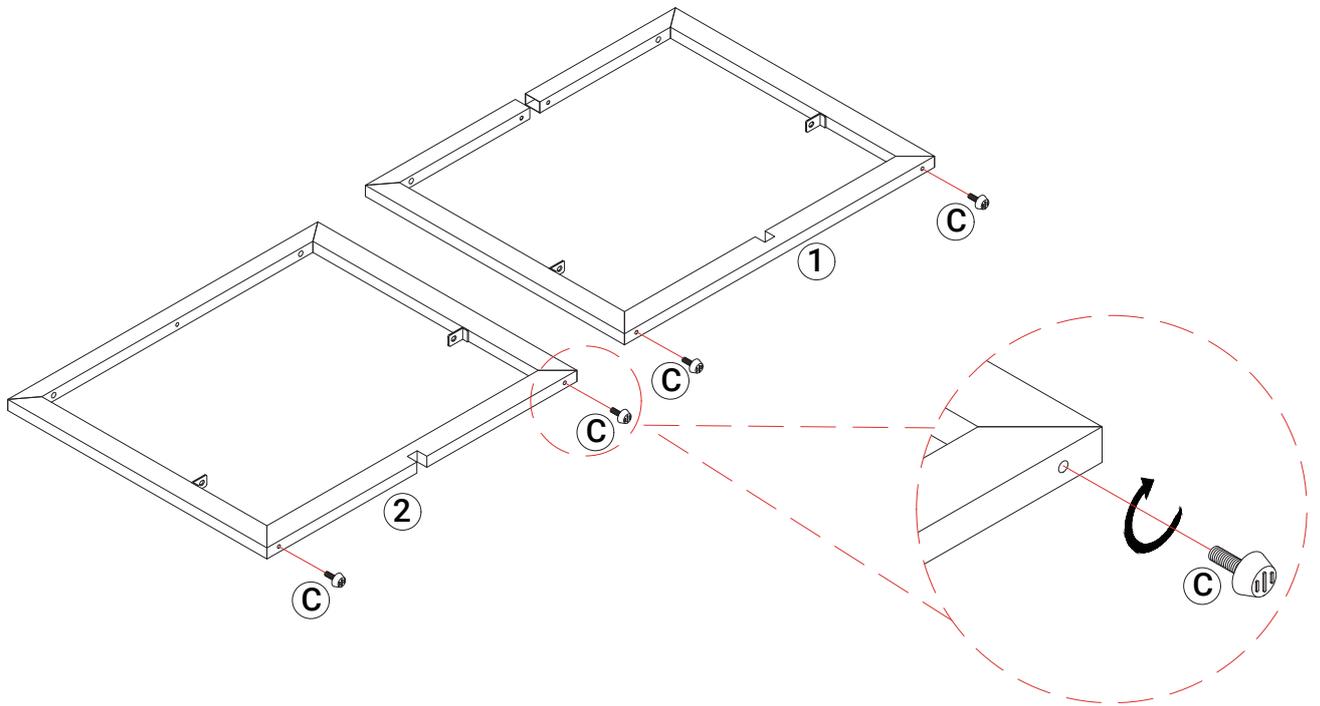
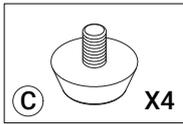


S4

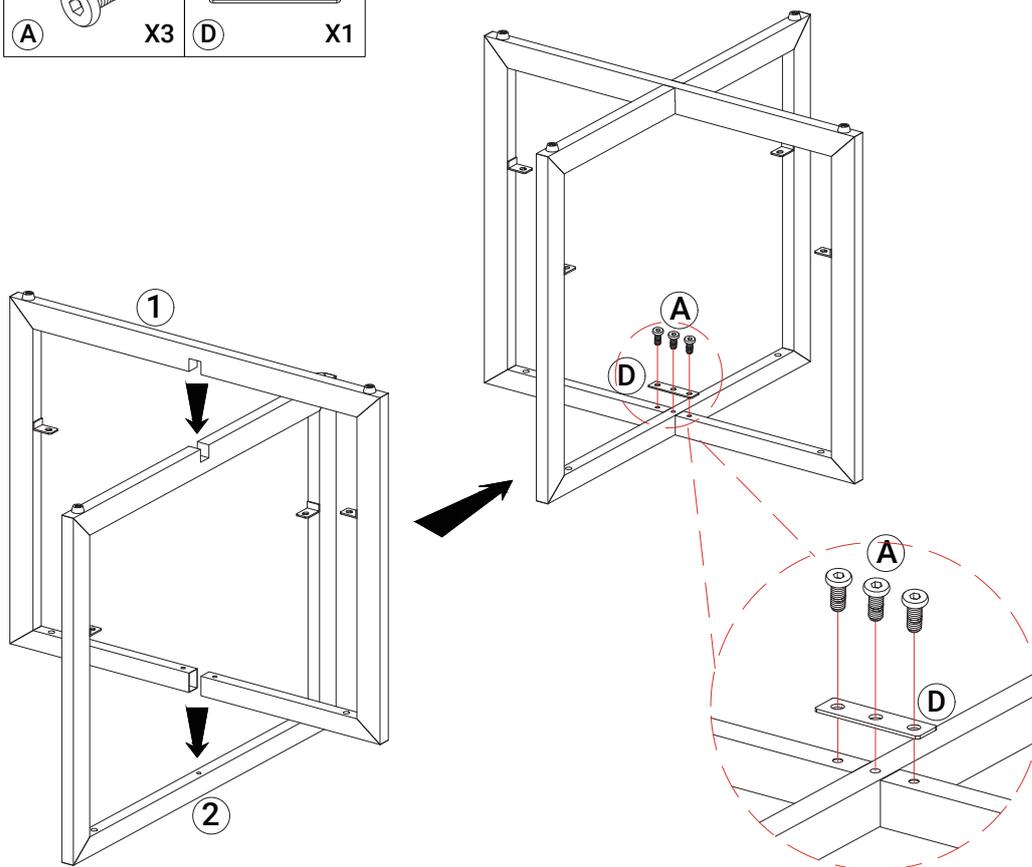
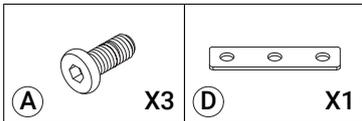




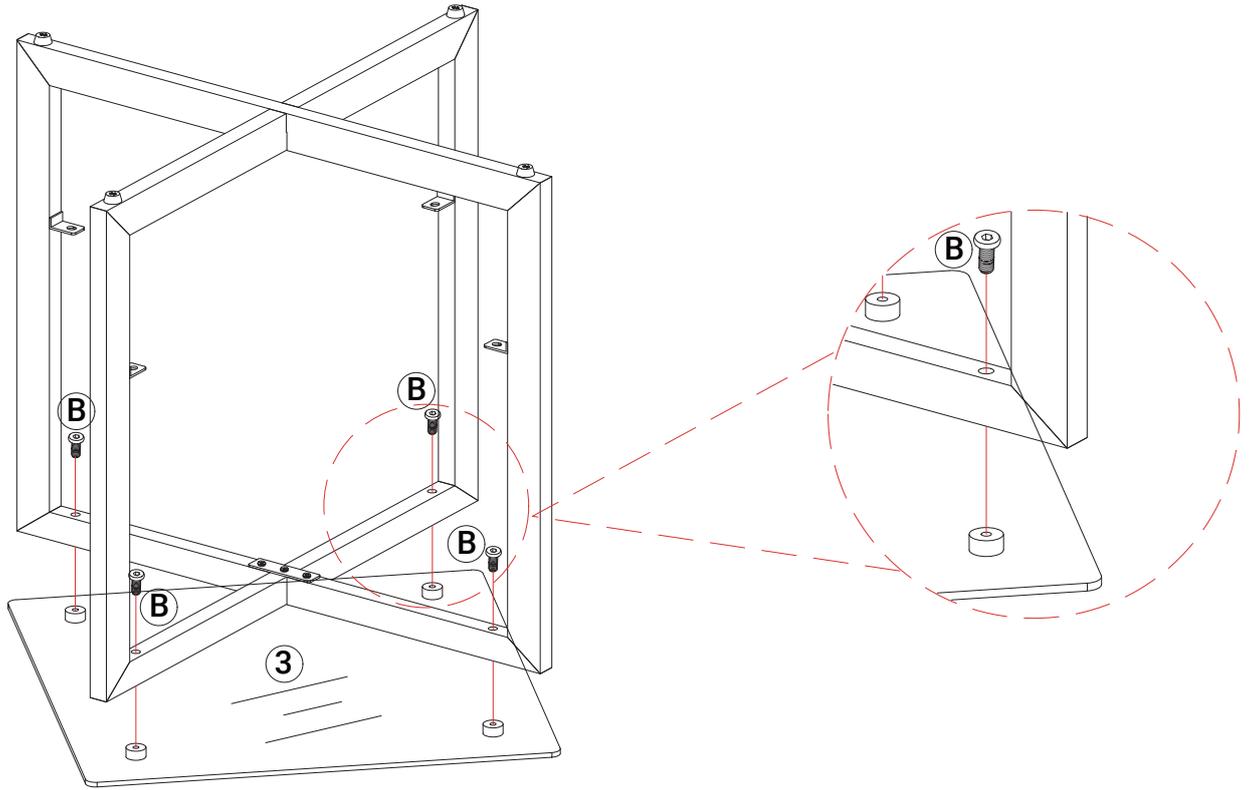
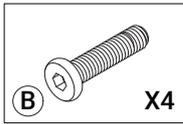
Step 1 | Let's get started. Start by attaching the feet (C) to the side frames (1 and 2).



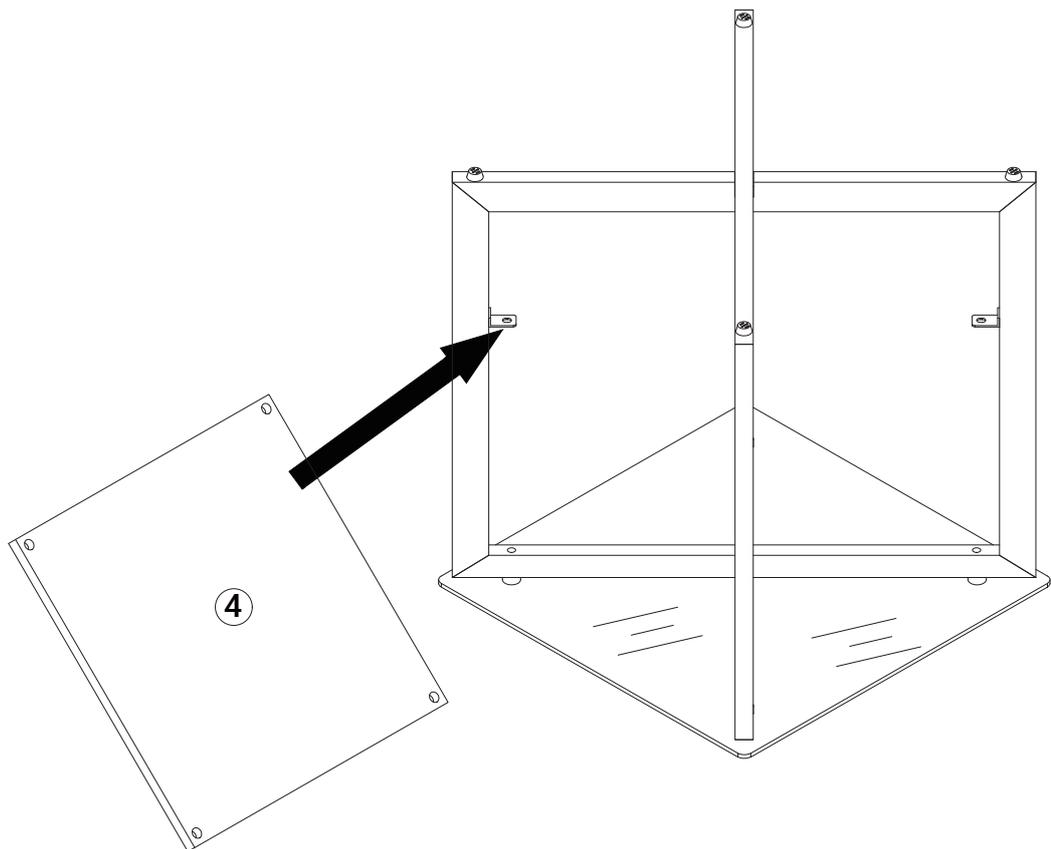
Step 2 | Next, secure pieces 1 and 2 together as indicated in the image with a bracket (D) and 3 hex screws (A).



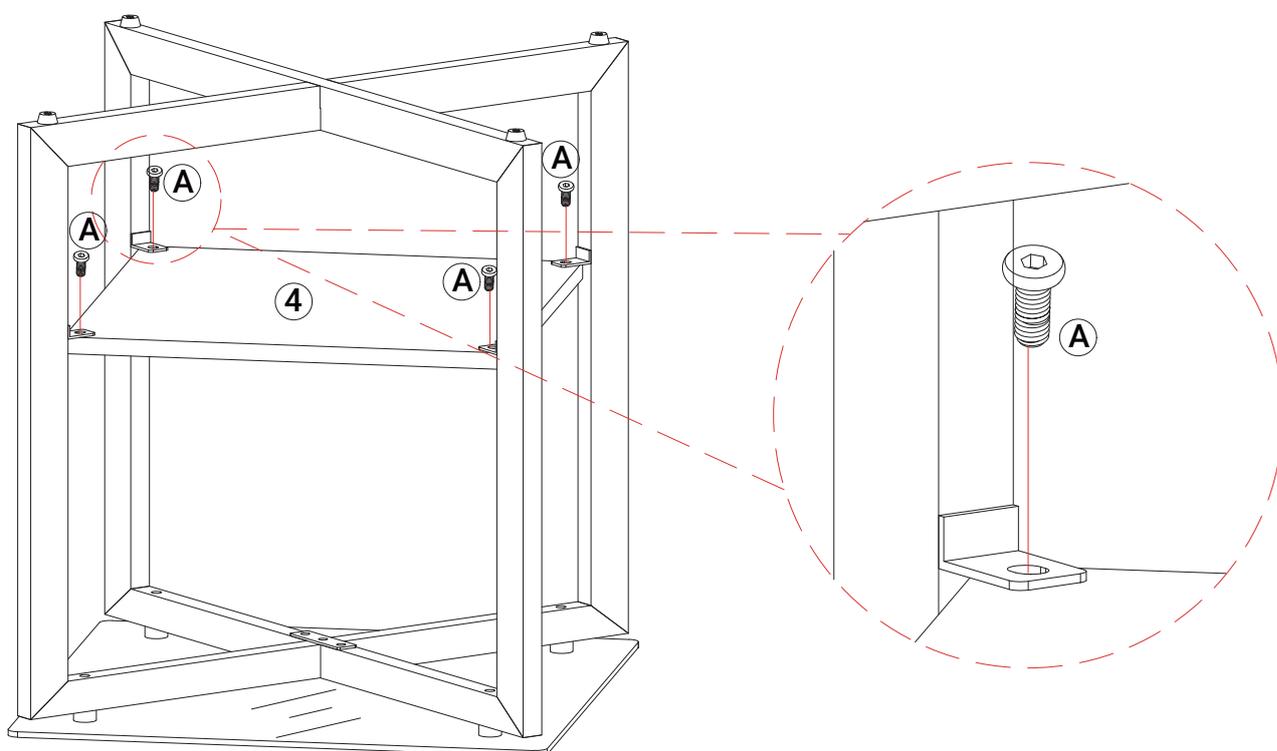
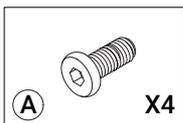
Step 3 | Next, attach the table top to the frame using 4 hex screws (B).



Step 4 | Then align the shelf (4).



Step 5 | And secure in place using 4 hex screws (A).



Step 6 | Now that all your hard work is done, it's time to relax and enjoy your craftsmanship!

