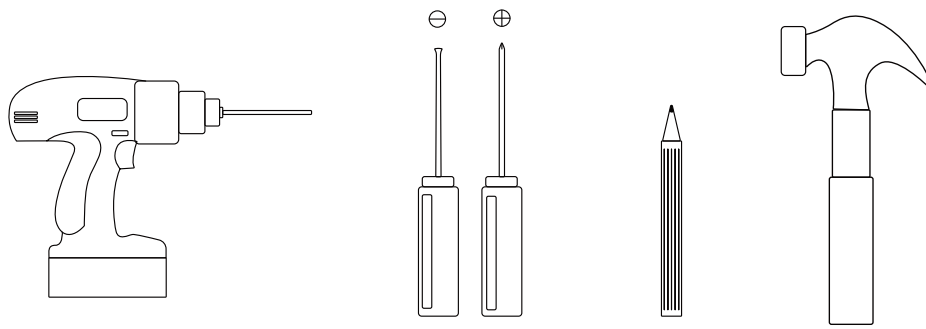
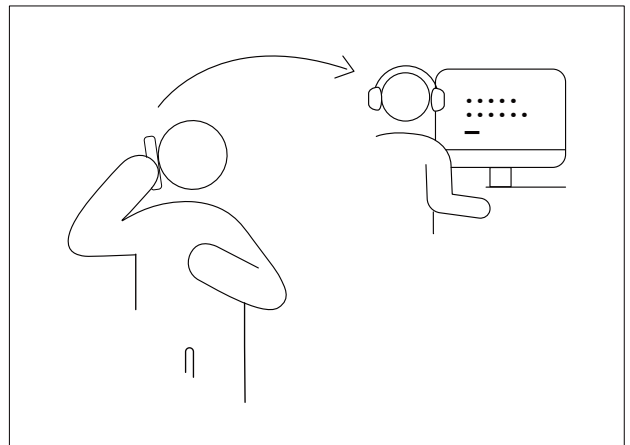
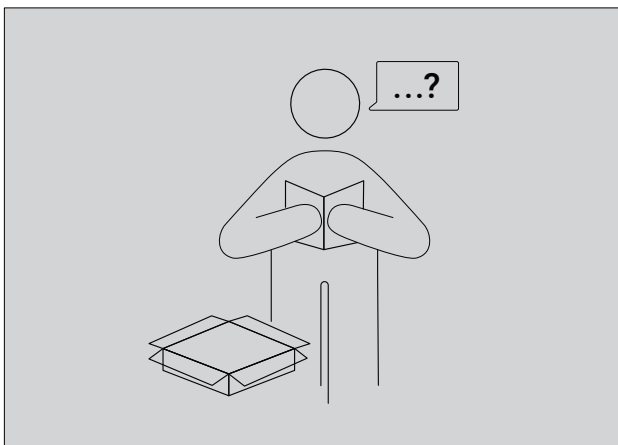
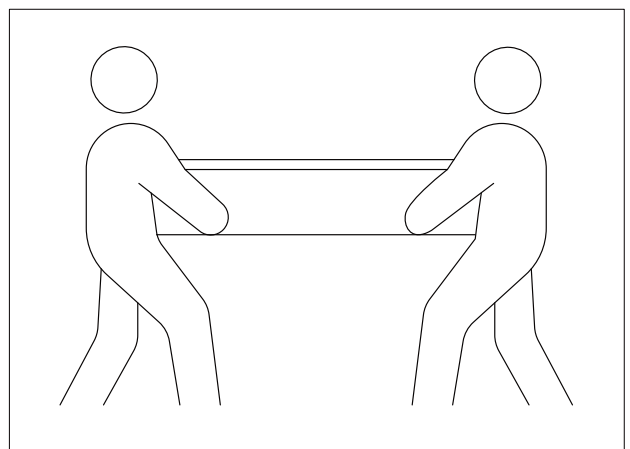
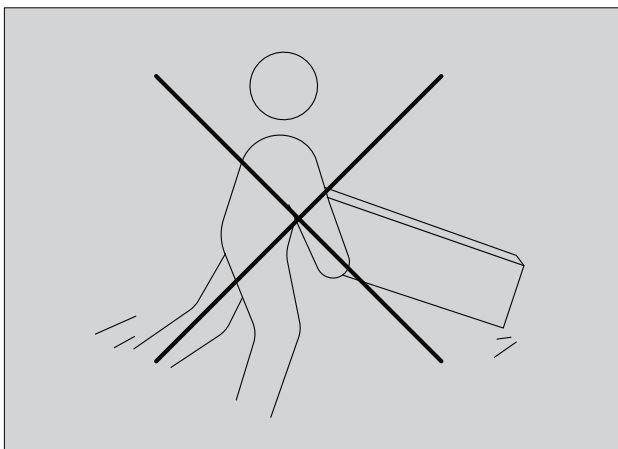
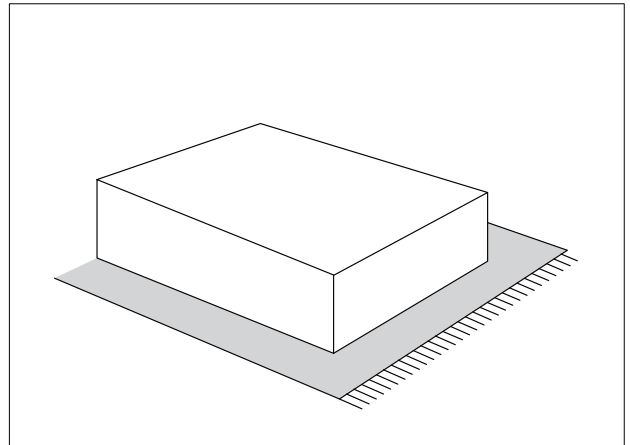
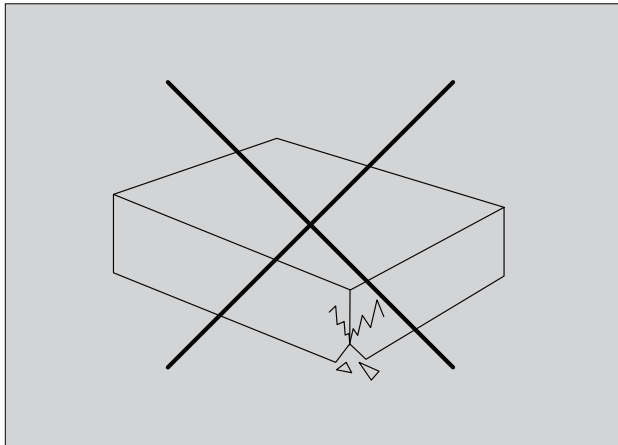


Coffee Table

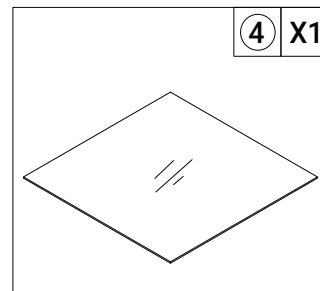
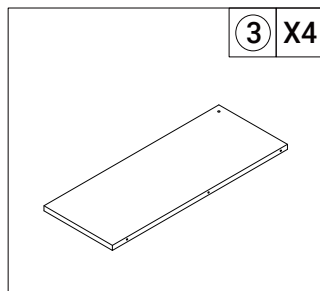
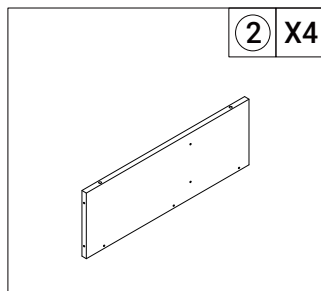
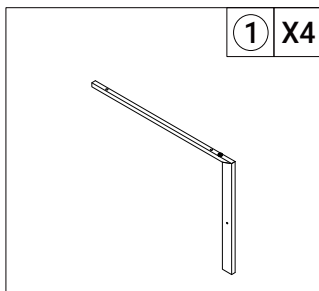
Perfectly designed with simplicity in mind



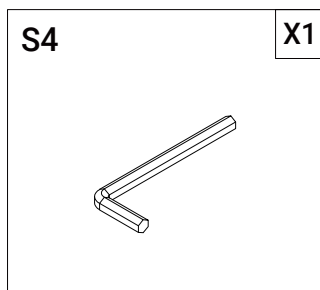
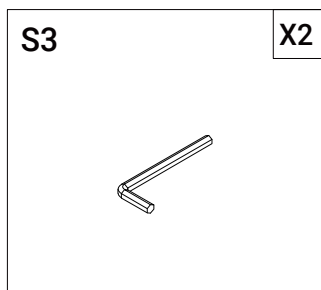
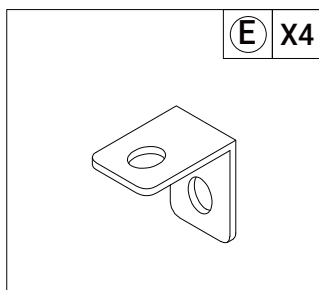
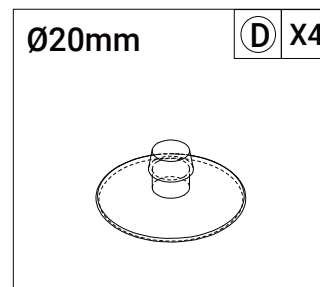
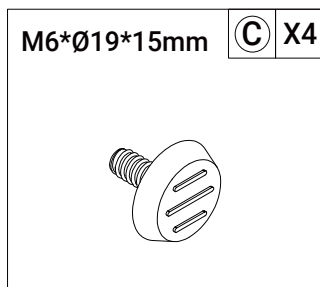
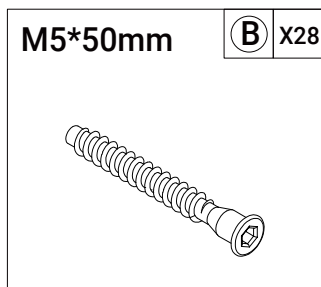
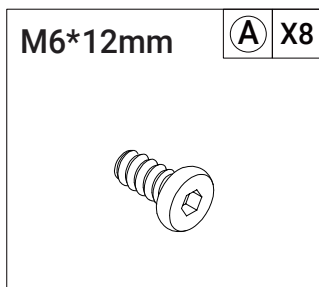
If you have these tools at home to assist you, assembly will be quicker.
If not, no worries, we have included everything required for assembly in the package.

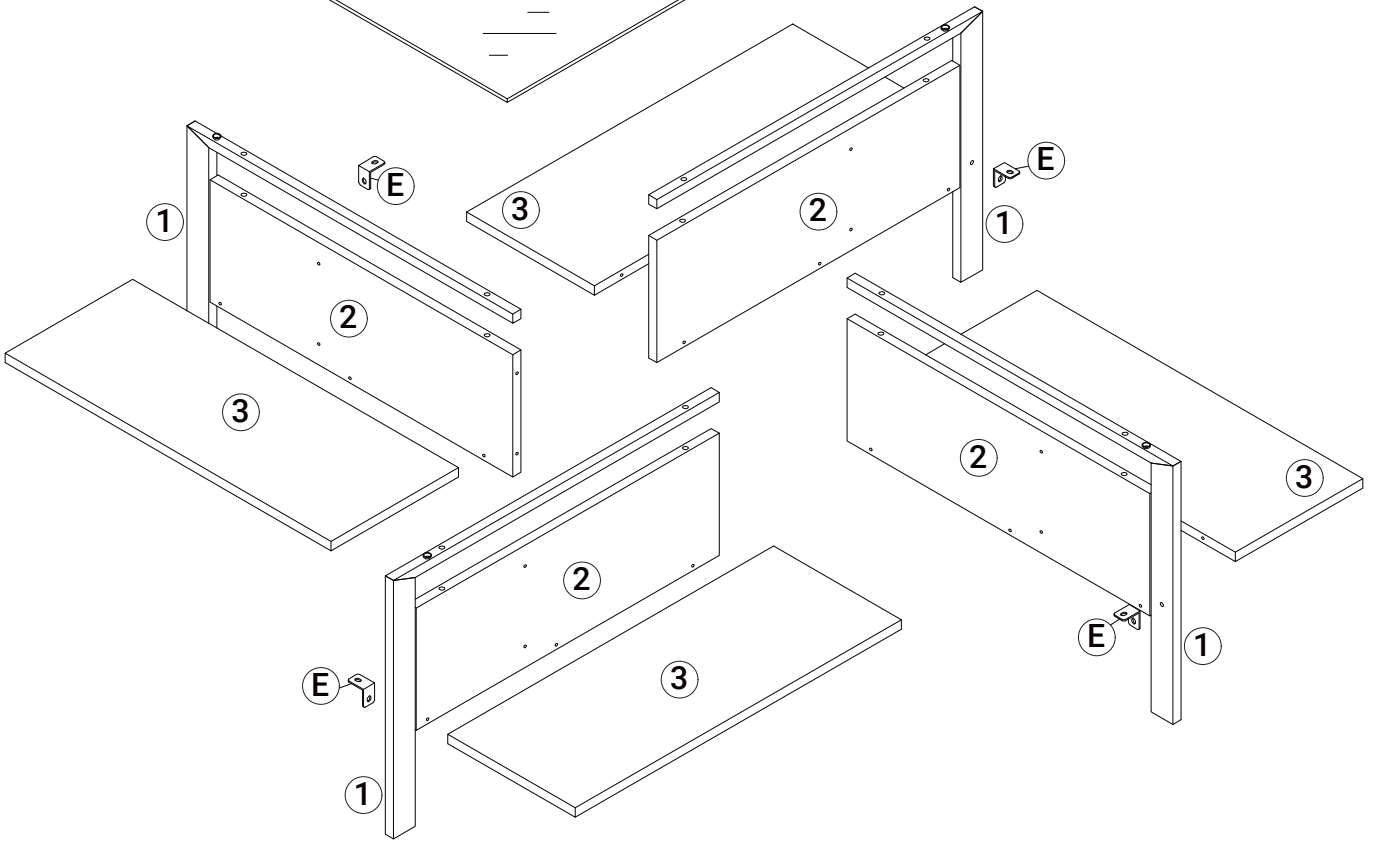
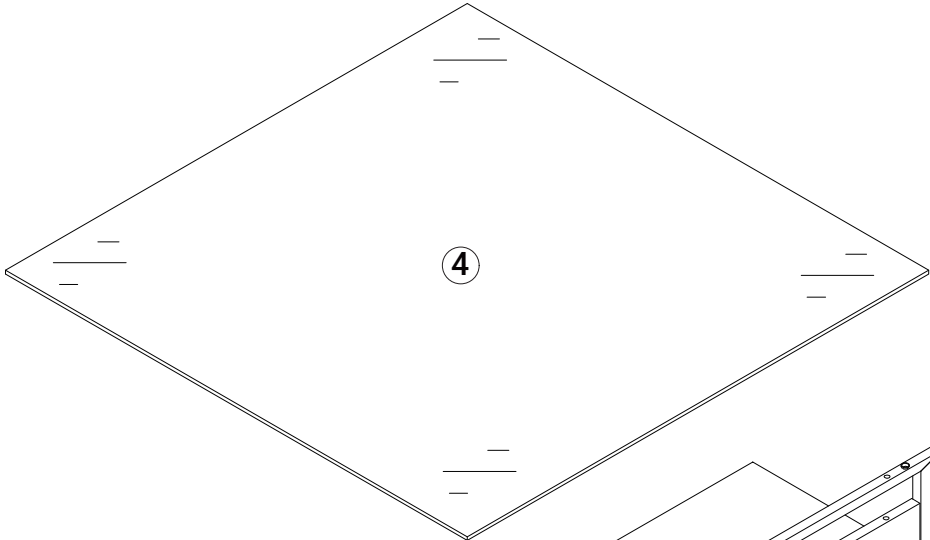


PARTS



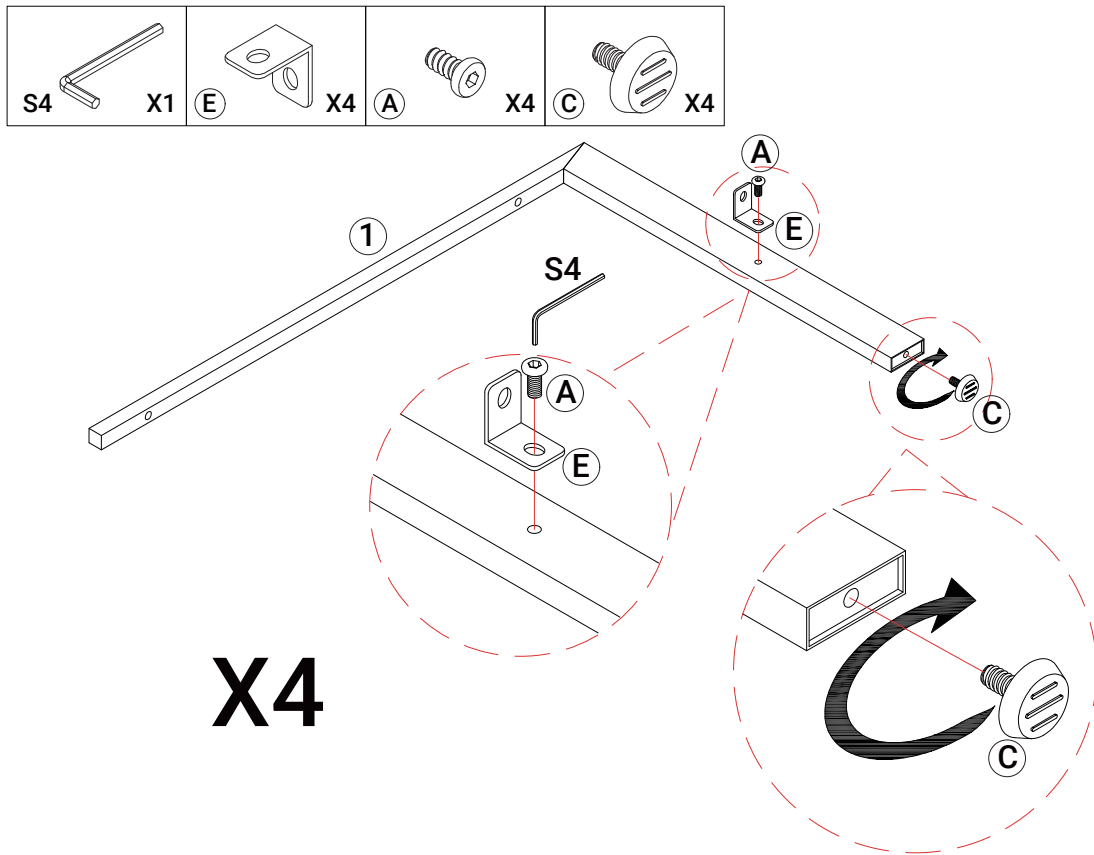
HARDWARE





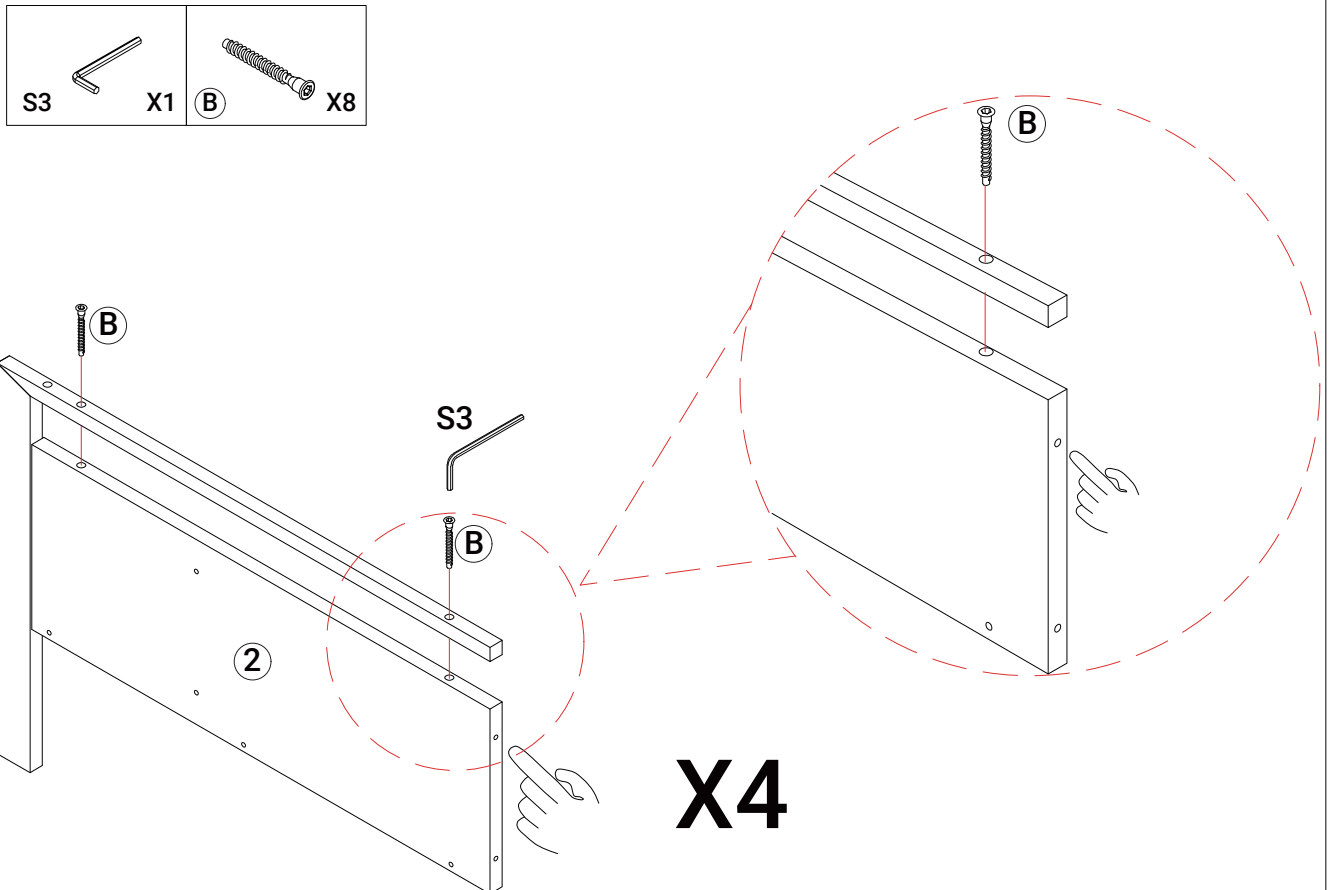
Step 1

Lets get started. Start by attaching the feet (C) to the support frames (1) and then add the brackets (E) to each frame using 1 bolt (A). Pay attention that the brackets are facing upward, in an upside down L position.

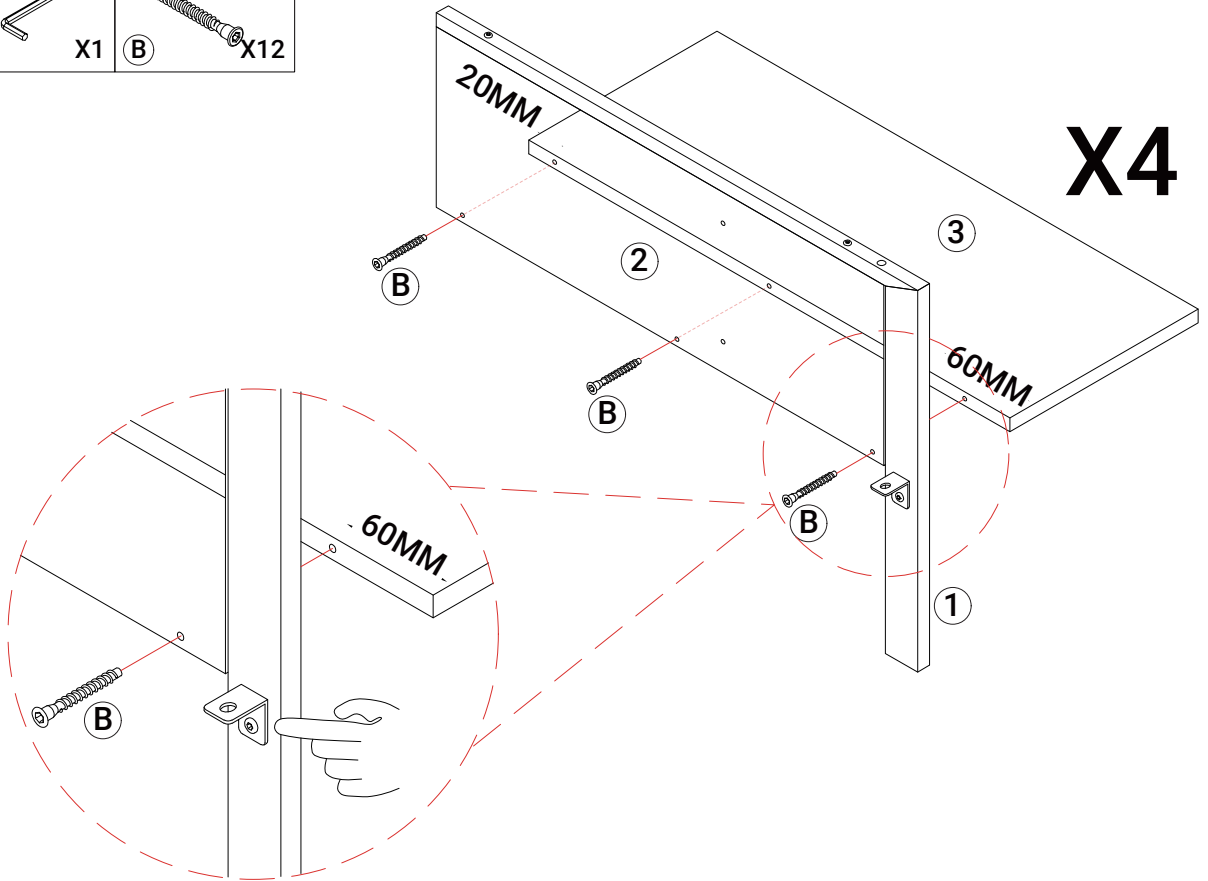
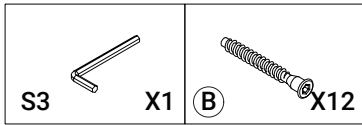


Step 2

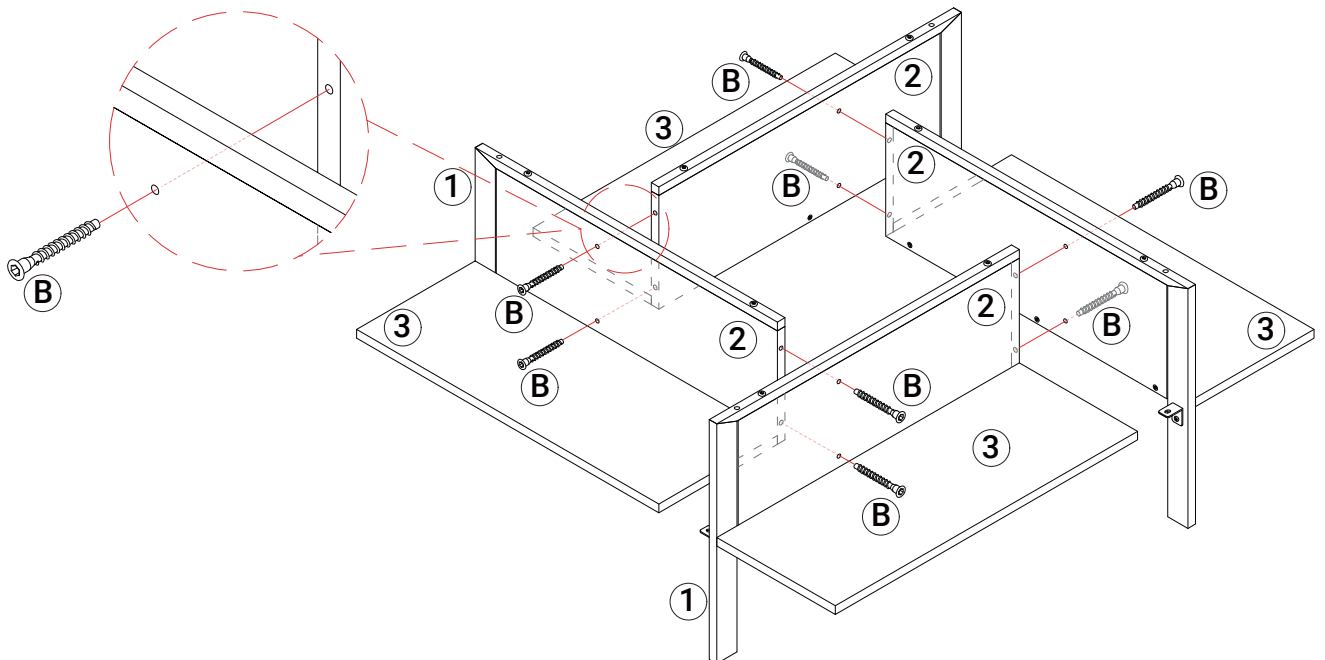
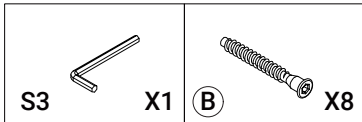
Next, secure the support boards (2) to the support frames (1) using 2 bolts (B) each.



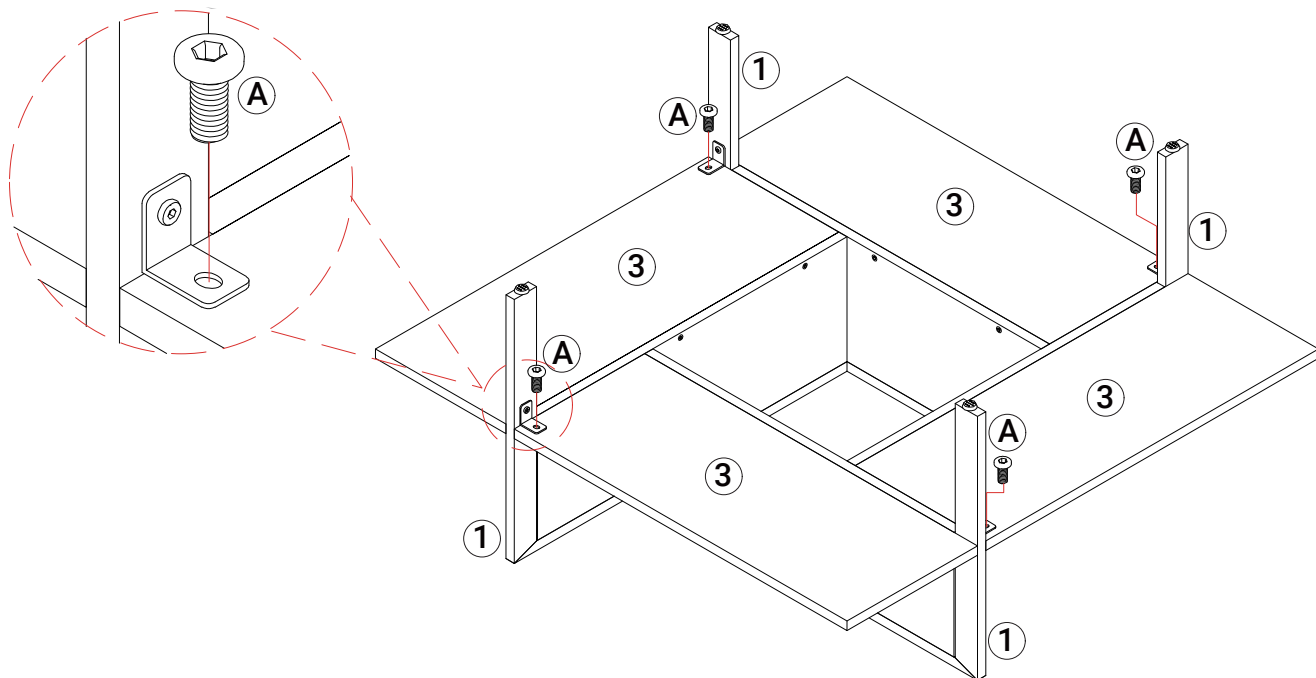
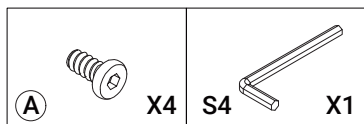
Step 3 | Next, secure boards 3 to the supports using 3 bolts (B) each.



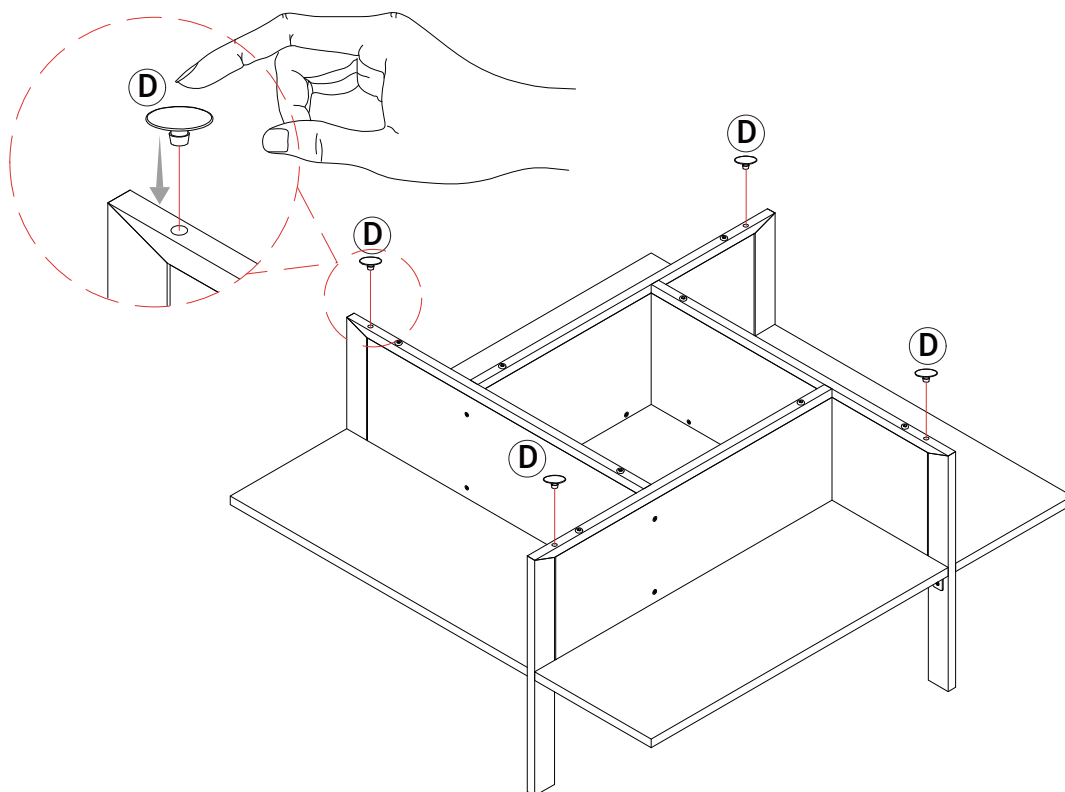
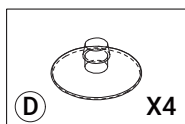
Step 4 | Next, combine all 4 supports together by using 8 bolts (B) according to the diagram.



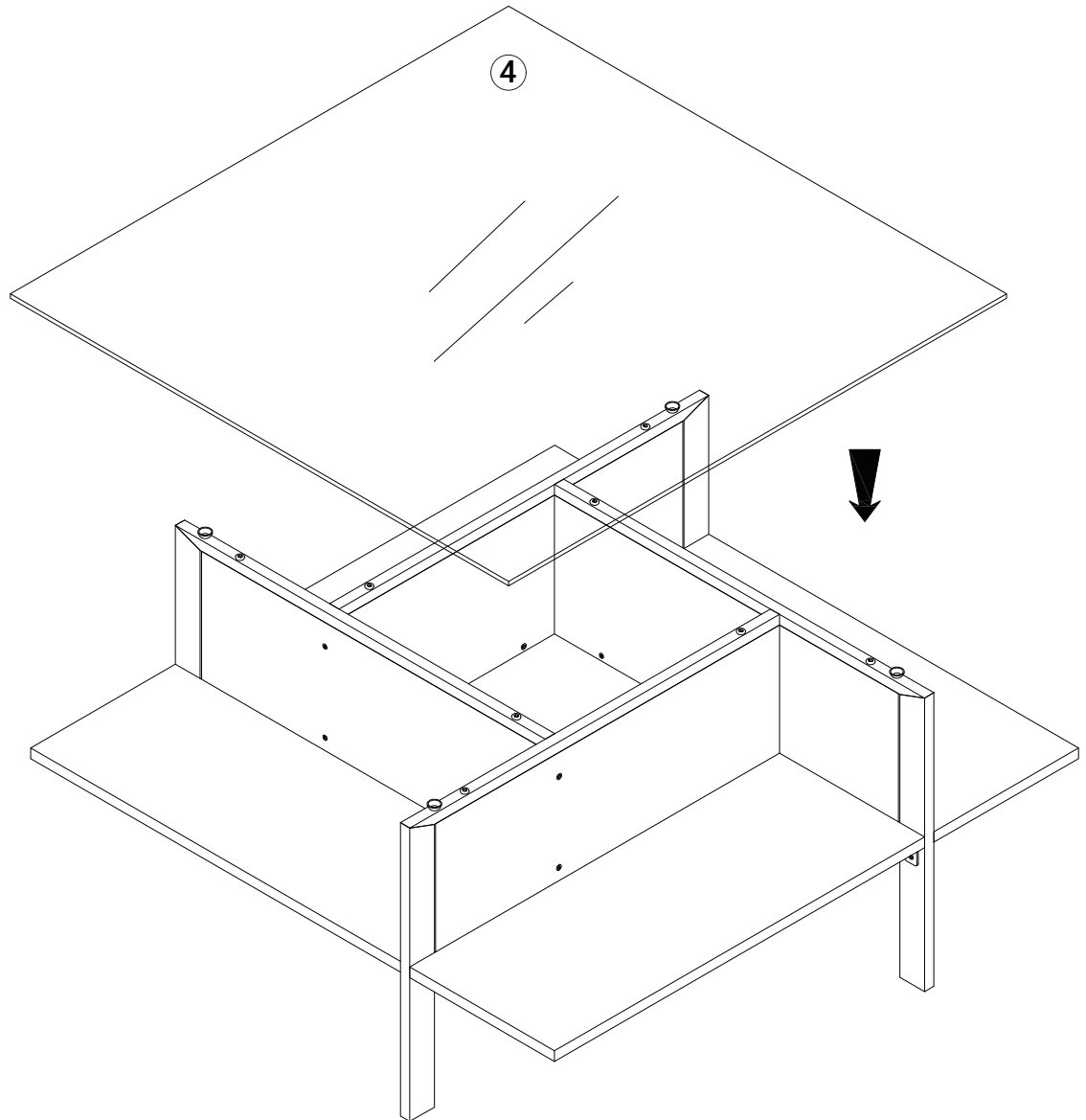
Step 5 | Next, secure the brackets with one bolt (A) each.



Step 6 | Then add the glass protectors (D) to the coffee table.



Step 7 | Finally, carefully place the glass top (4).



Step 8 | Now that all your hard work is done, it's time to relax and enjoy your craftsmanship!

