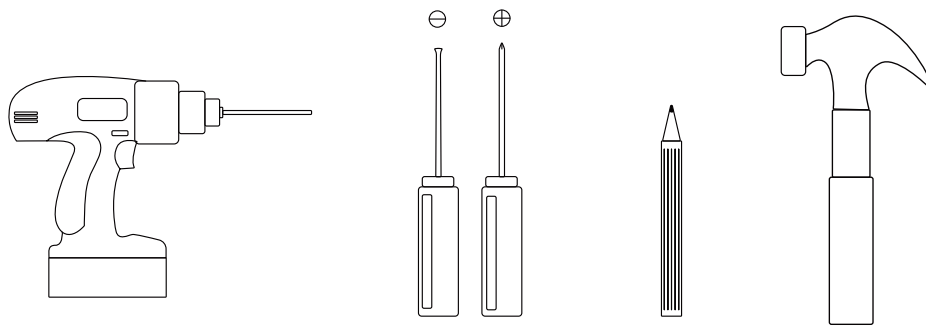
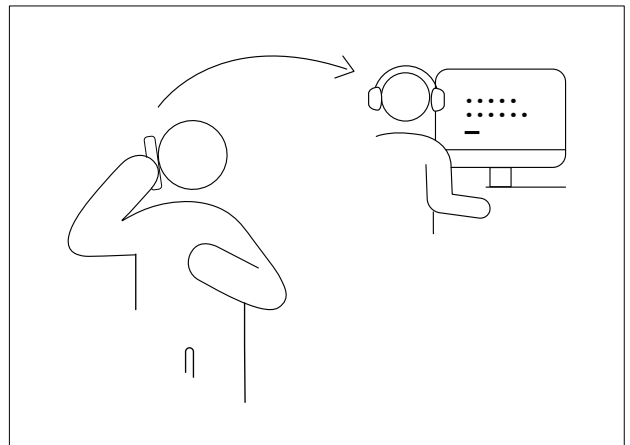
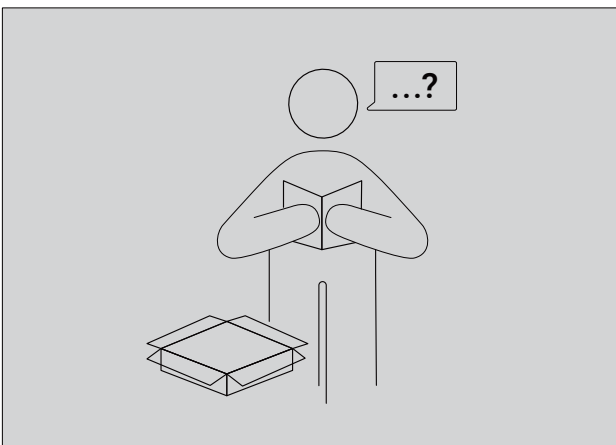
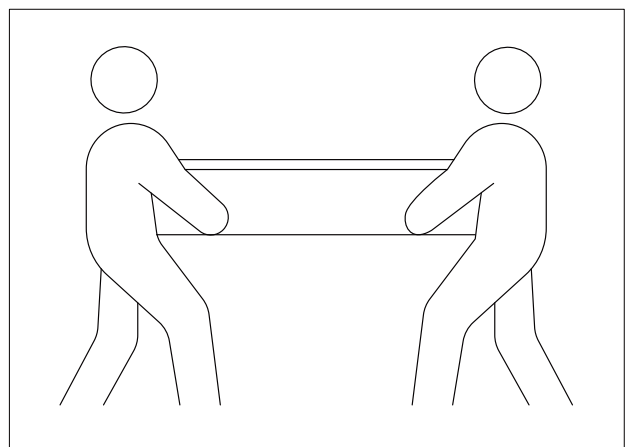
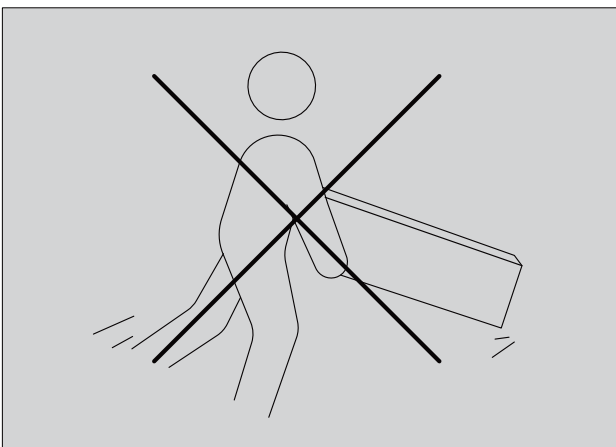
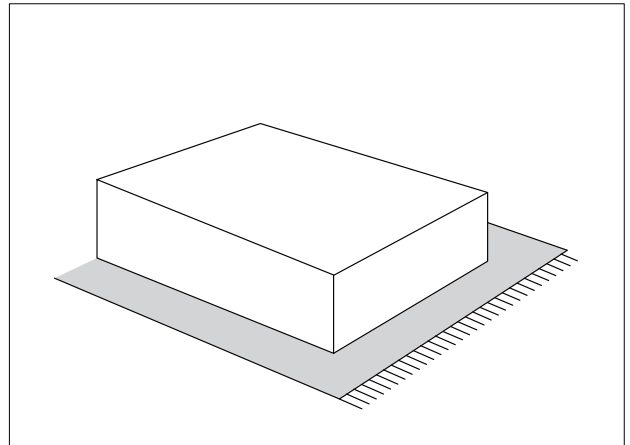
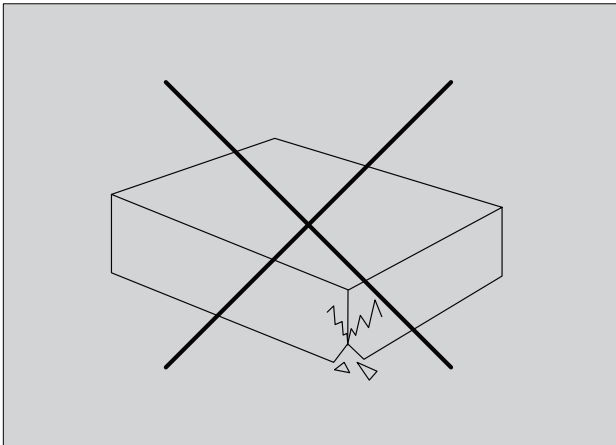


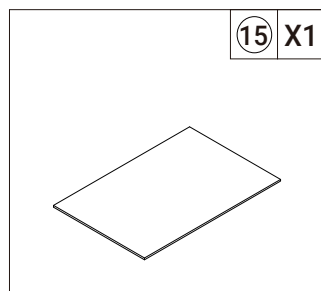
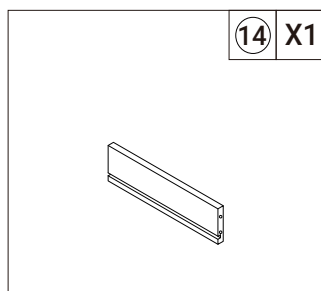
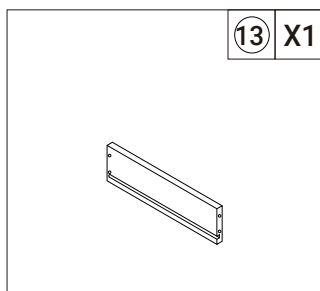
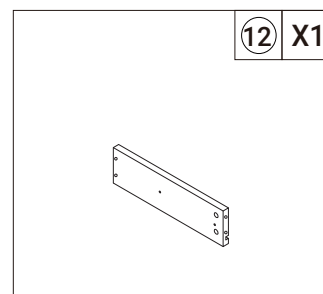
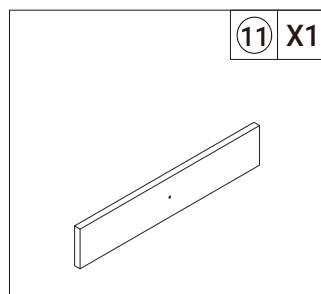
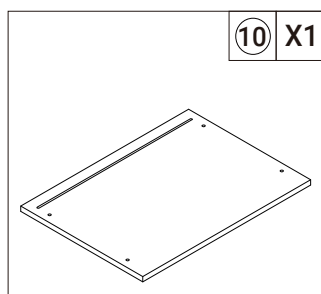
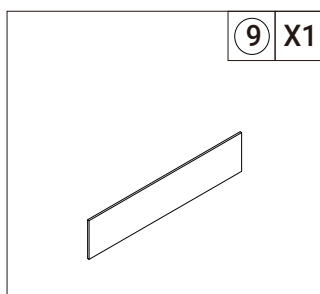
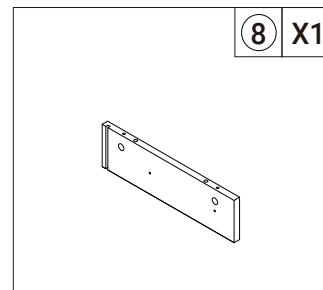
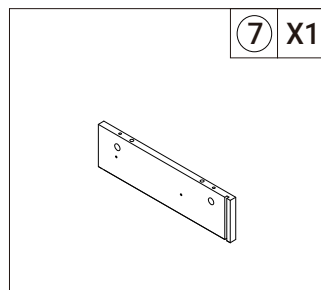
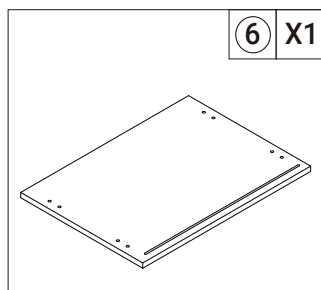
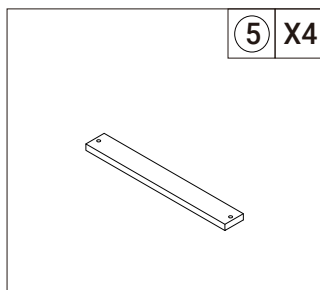
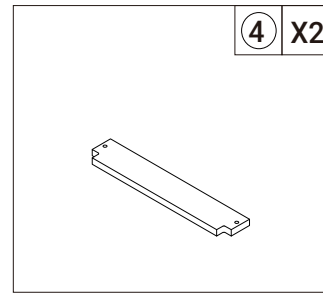
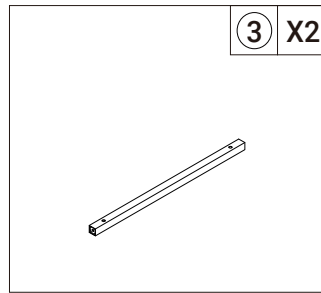
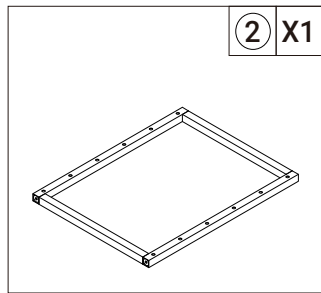
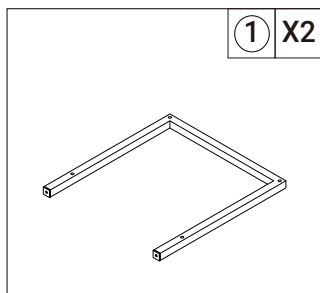
End Table

Perfectly designed with simplicity in mind

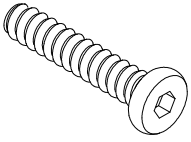


If you have these tools at home to assist you, assembly will be quicker.
If not, no worries, we have included everything required for assembly in the package.

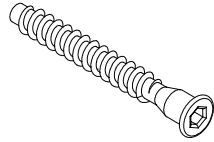




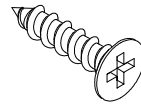
M6*30mm (A) X24



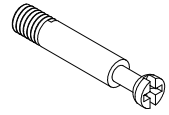
M5*50mm (B) X8



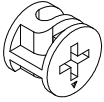
M3.5*12mm (C) X8



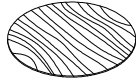
Ø6.7*36mm (D) X8



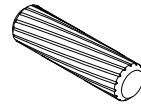
Ø15*11.7mm (E) X8



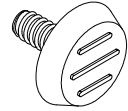
Ø20mm (F) X8



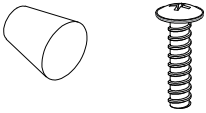
Ø8*30mm (G) X4



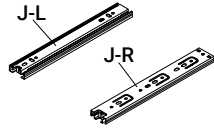
M6*Ø22*20mm (H) X4



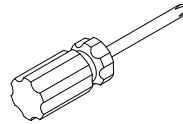
M4*20 (I) X1



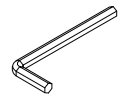
34*12*240 (J) X2



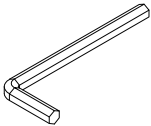
5*55 X1

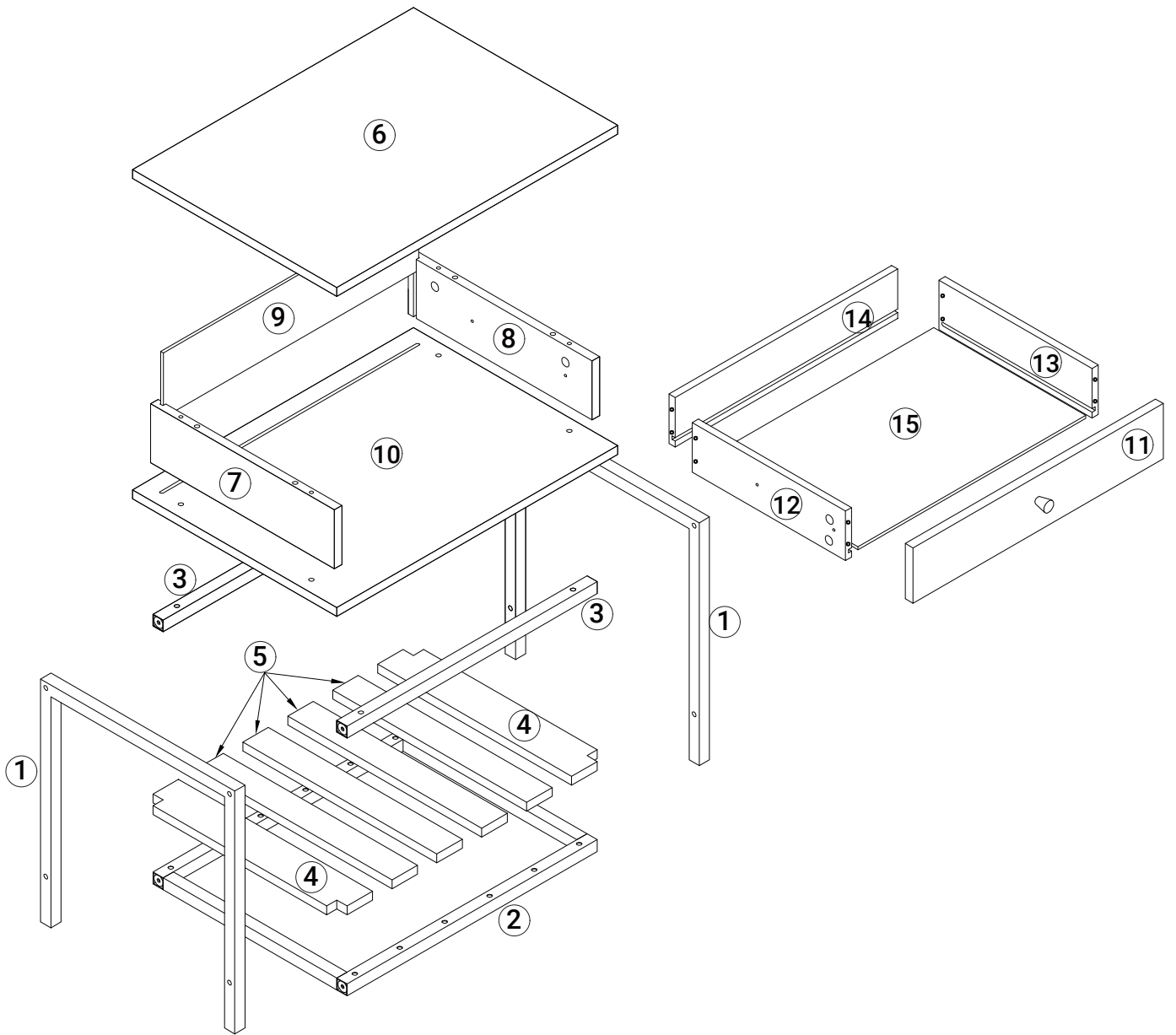


S3 X1

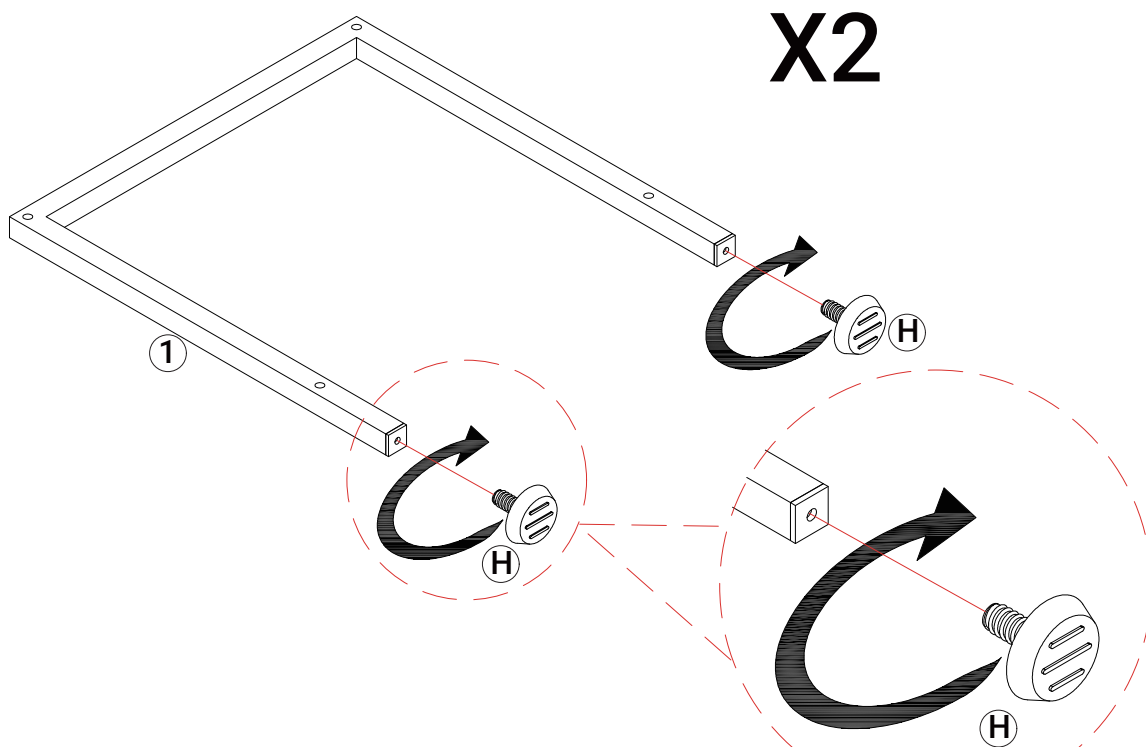
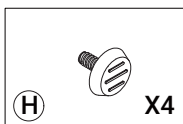


S4 X1

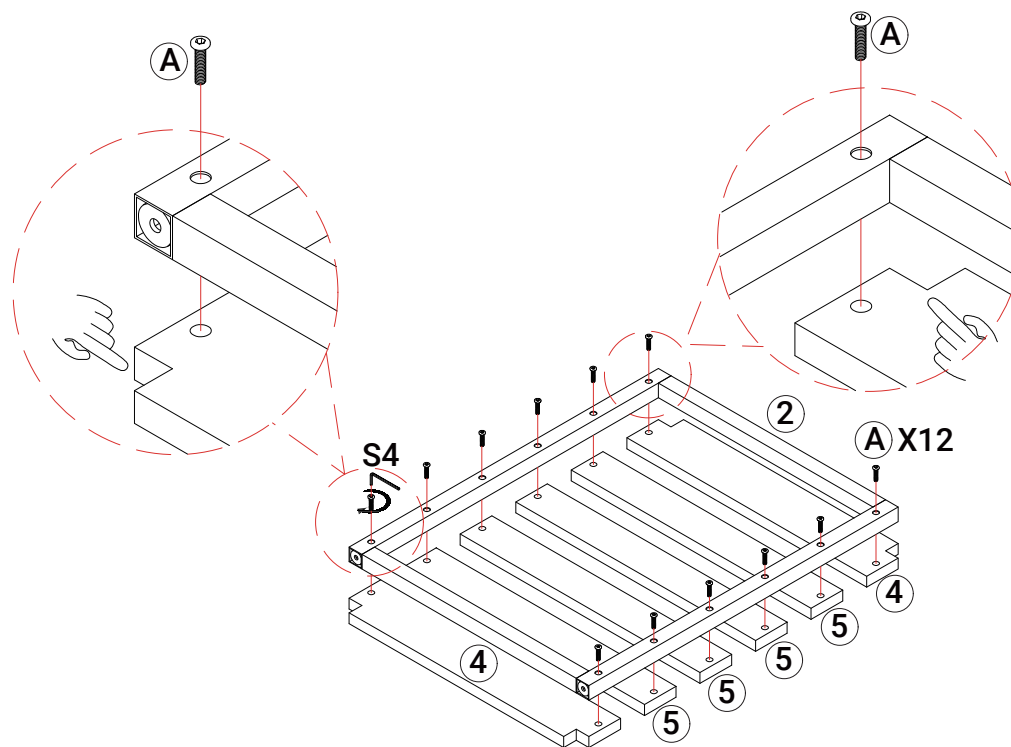
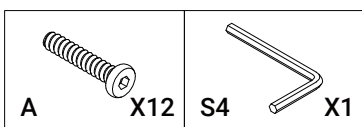




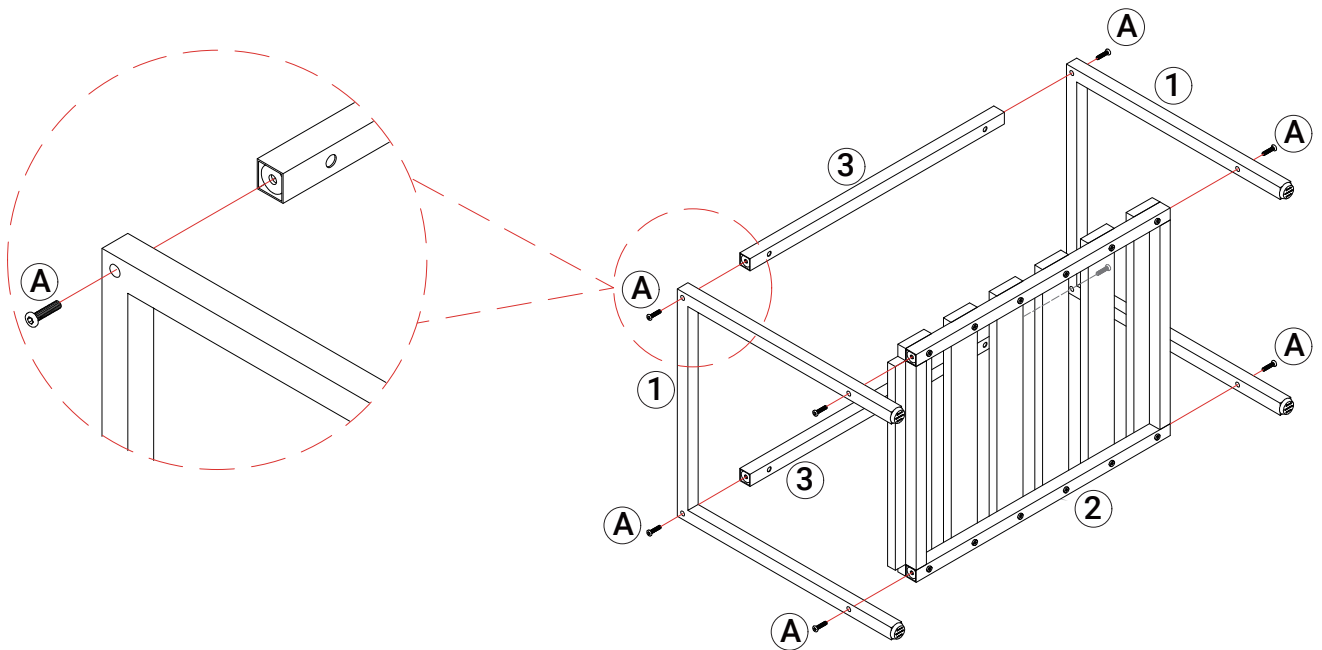
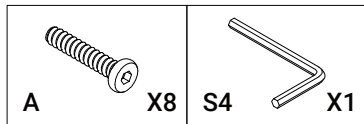
Step 1 | Let's get started. Start by securing the feet (H) to the frame pieces (1).



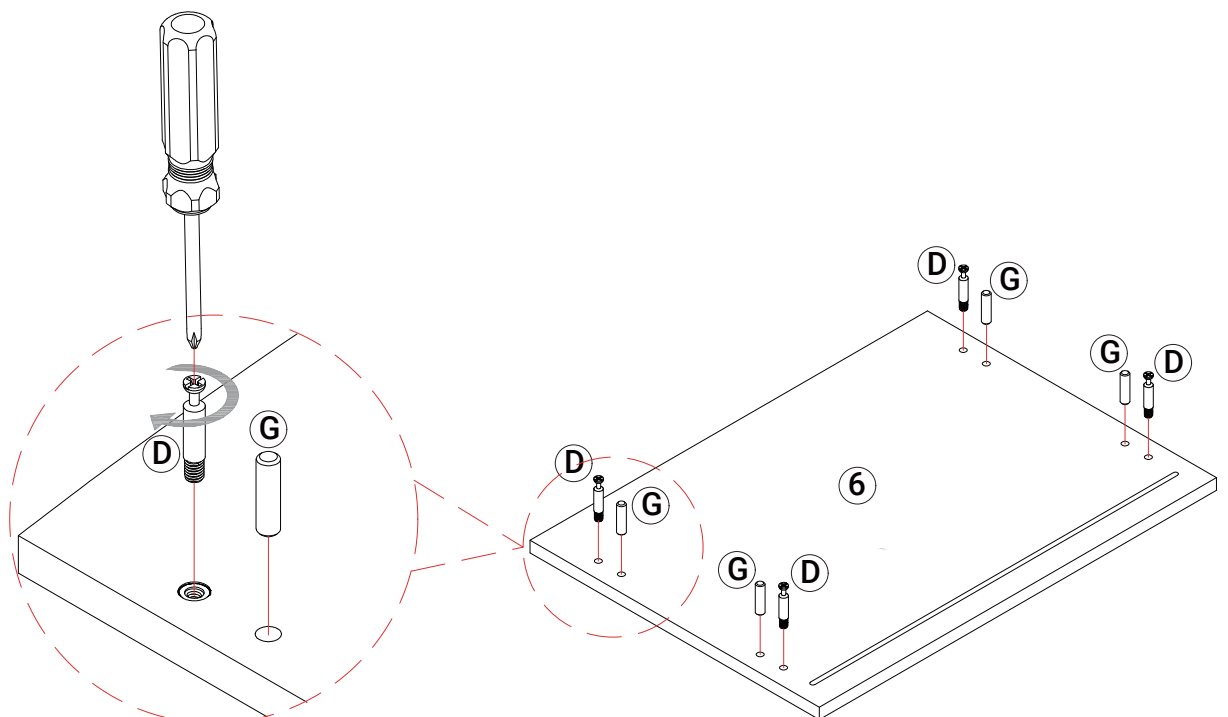
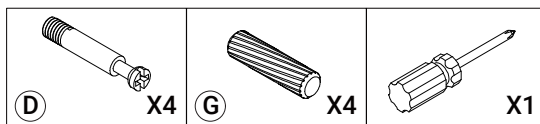
Step 2 | Next, build the bottom shelf by attaching the wood slats (4 and 5) to the shelf frame (2) with 2 hex screws (A) for each shelf. Note the position of each wood slat on the image.



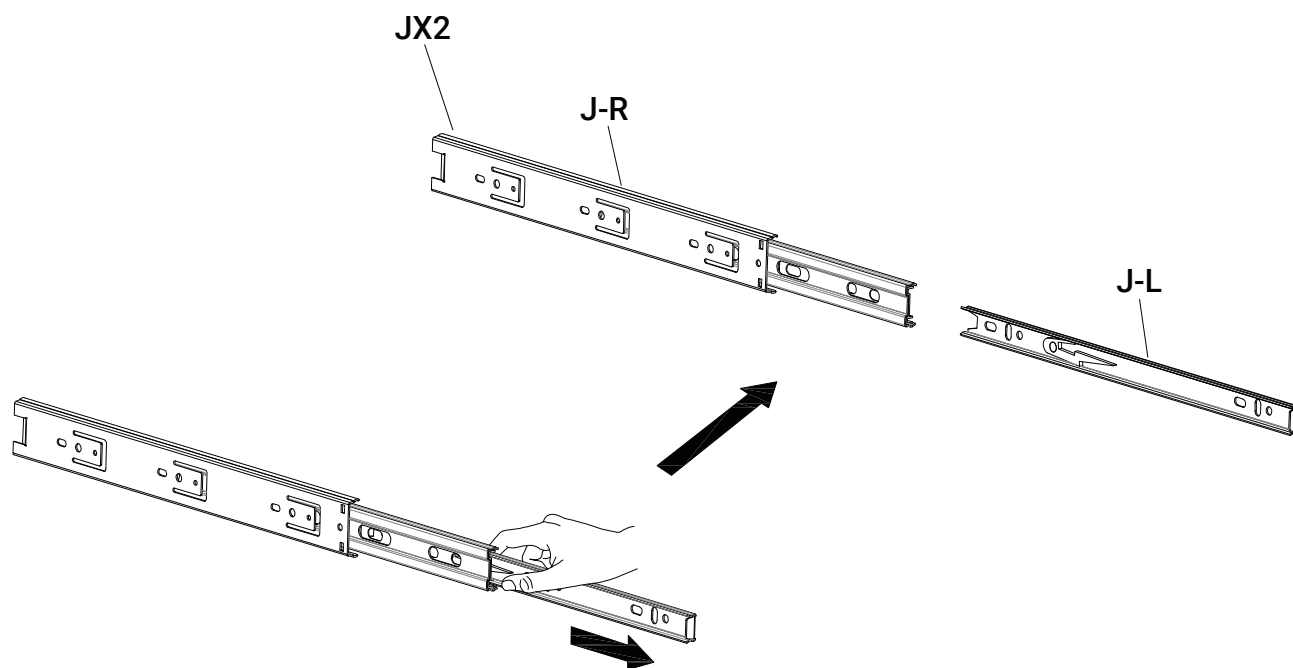
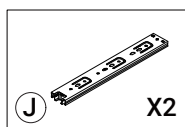
Step 3 | Then connect the frame pieces together (1, 2 and 3) using 8 hex screws (A).



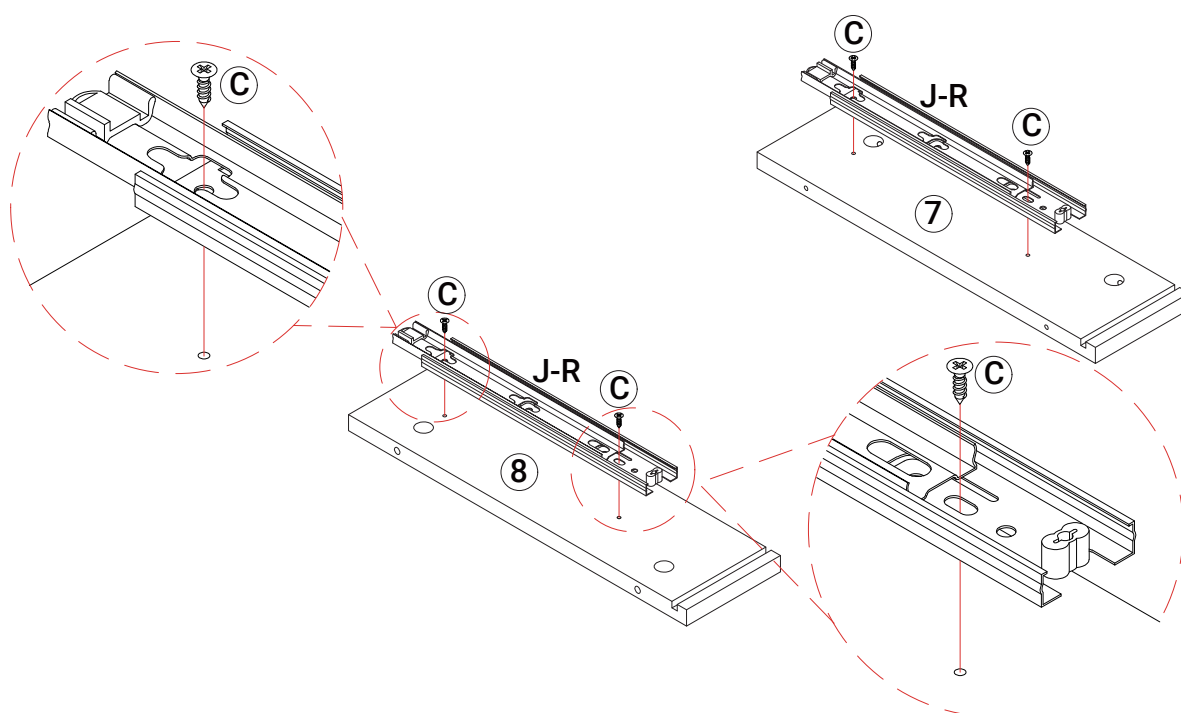
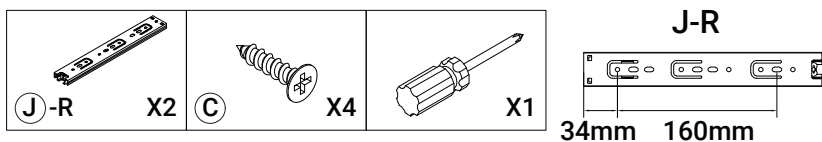
Step 4 | Next, prep the top board (6) by placing 4 wooden dowels (G) in the inner holes and securing 4 cam bolts (D) on the outer holes.



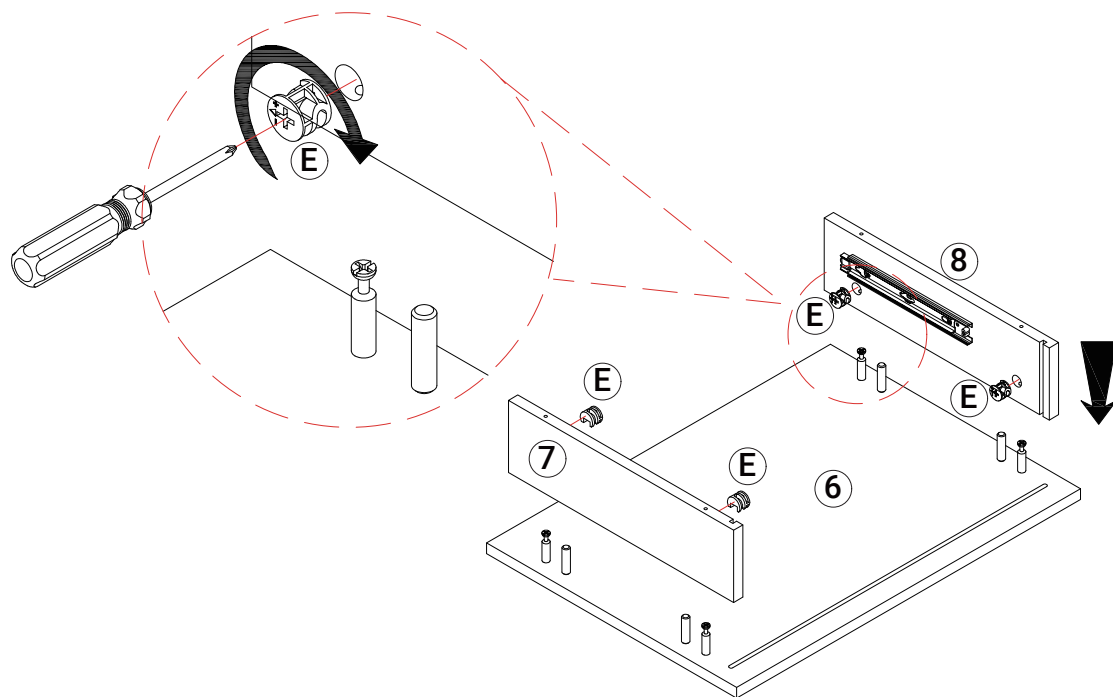
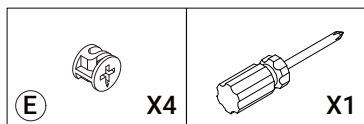
Step 5 | Then separate the slides by first opening and then lifting the lever and pulling apart.



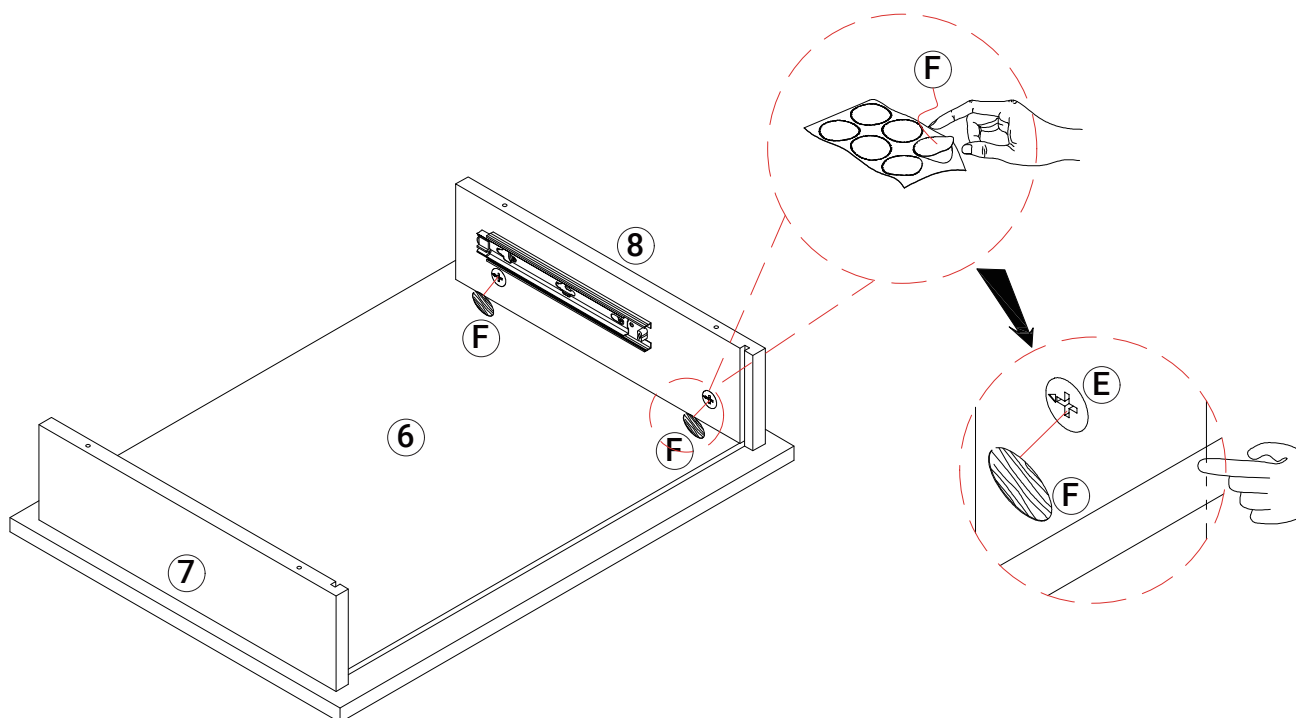
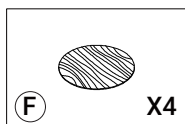
Step 6 | Secure the slides (J-R) to the base boards (7 and 8) using 2 screws (C) each.



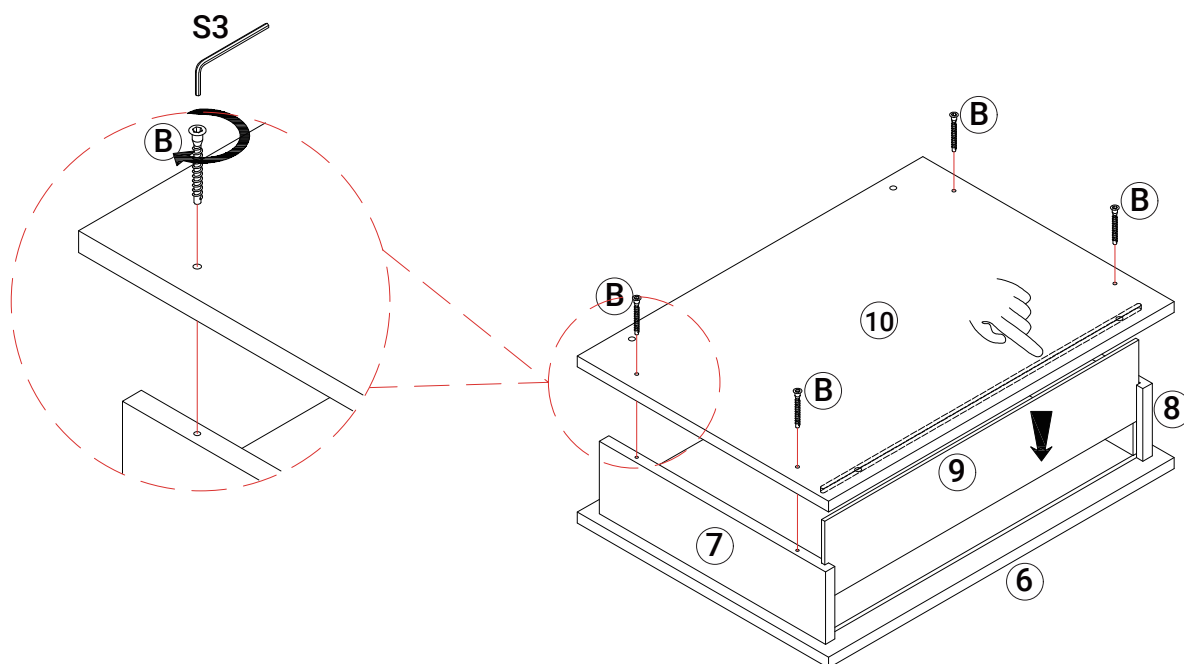
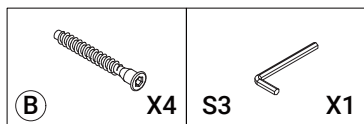
Step 7 | Then attach the base boards (7 and 8) to the top board (6) and lock in place with the cam locks (E).



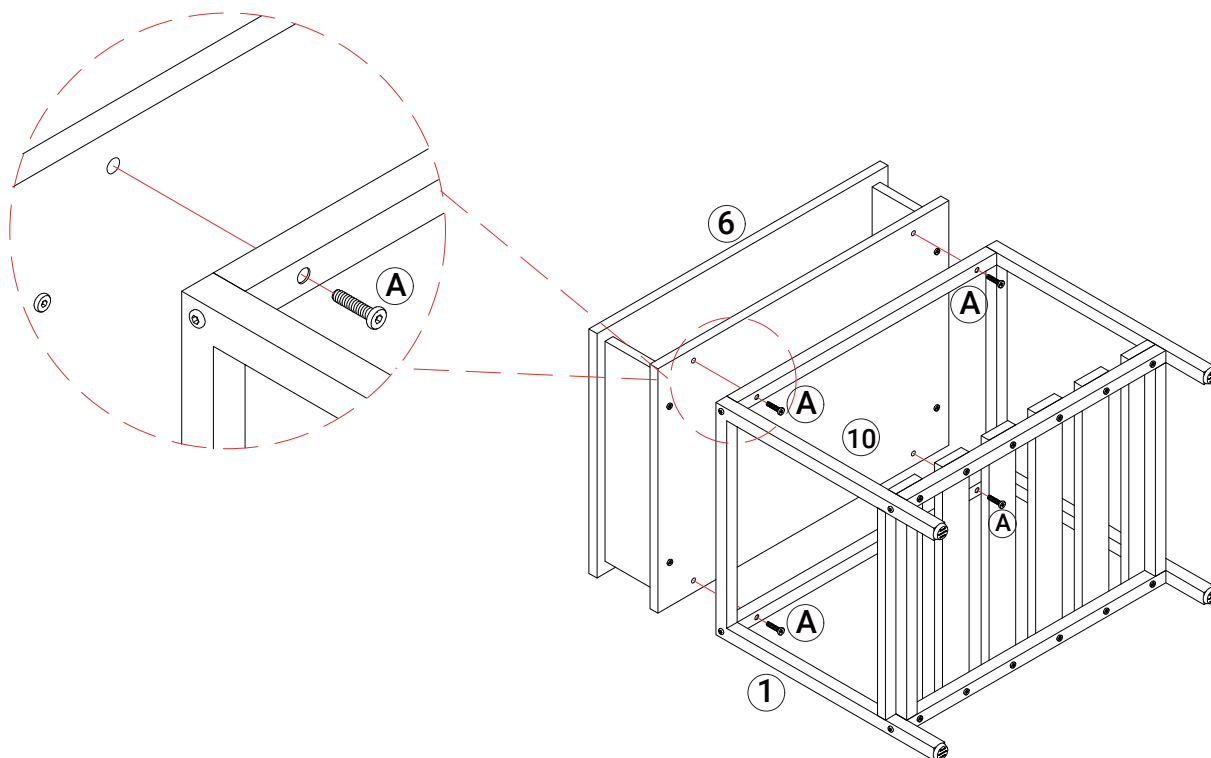
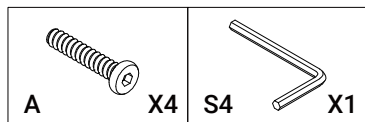
Step 8 | Next, cover the cam locks with the texture stickers (F).



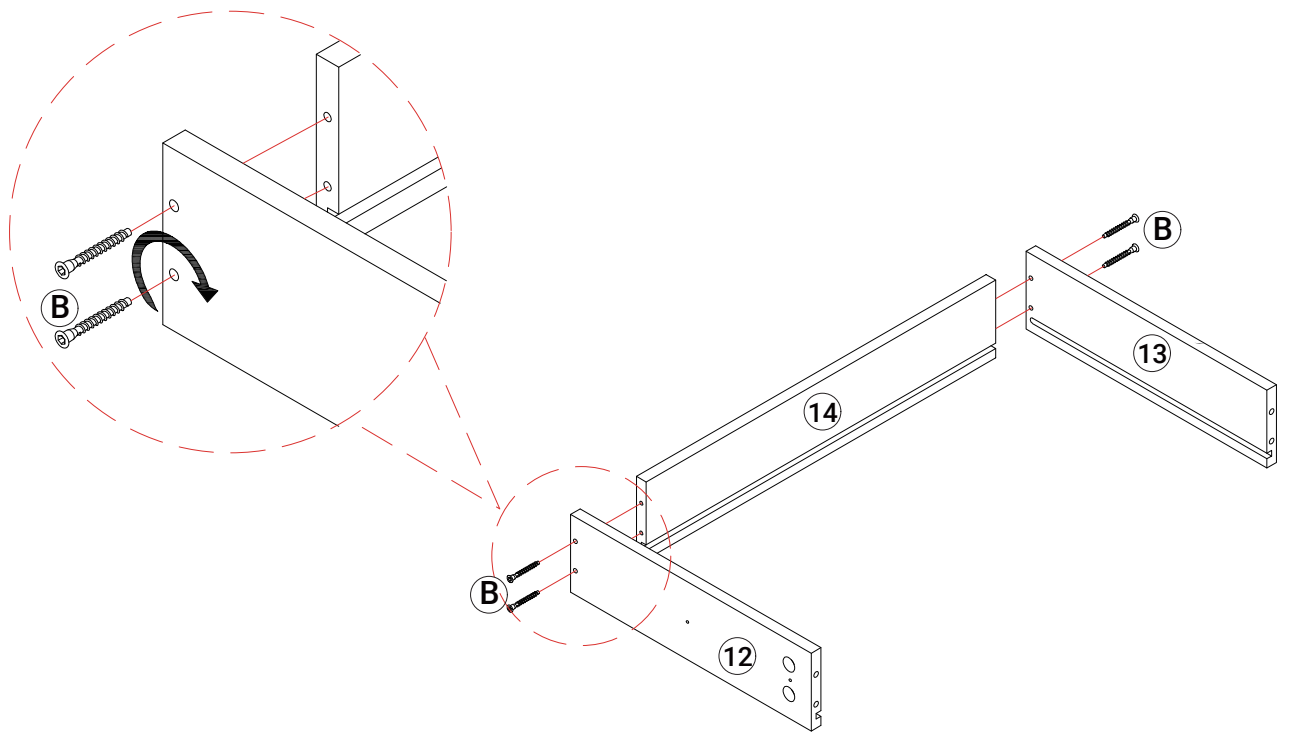
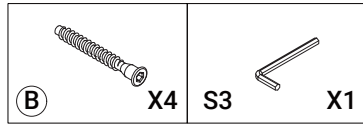
Step 9 | Then attach the bottom board (10) with 4 hex bolts (B).



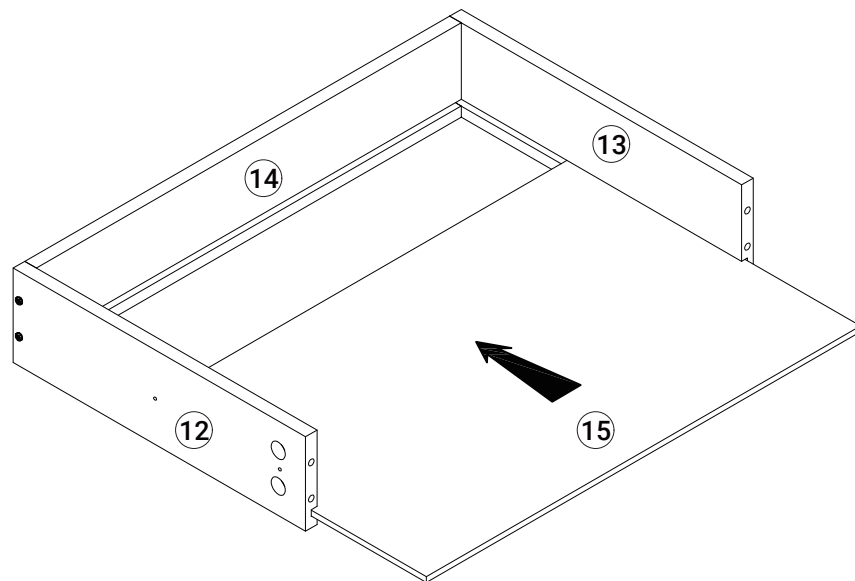
Step 10 | Then attach the completed structure to the frame with 4 hex bolts (A).



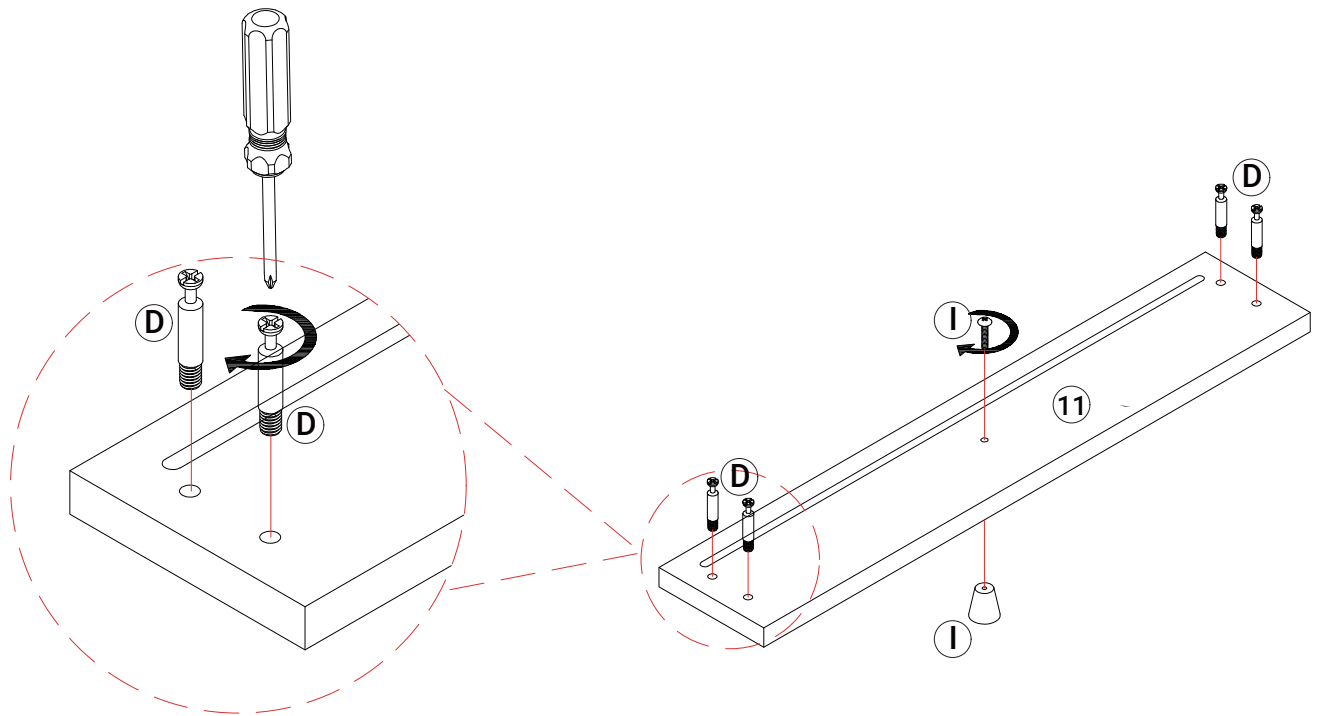
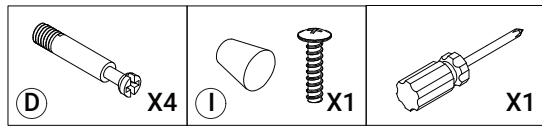
Step 11 | Next, build the drawer by first attaching boards 12 and 13 to board 14 with 2 hex bolts (B) for each board.



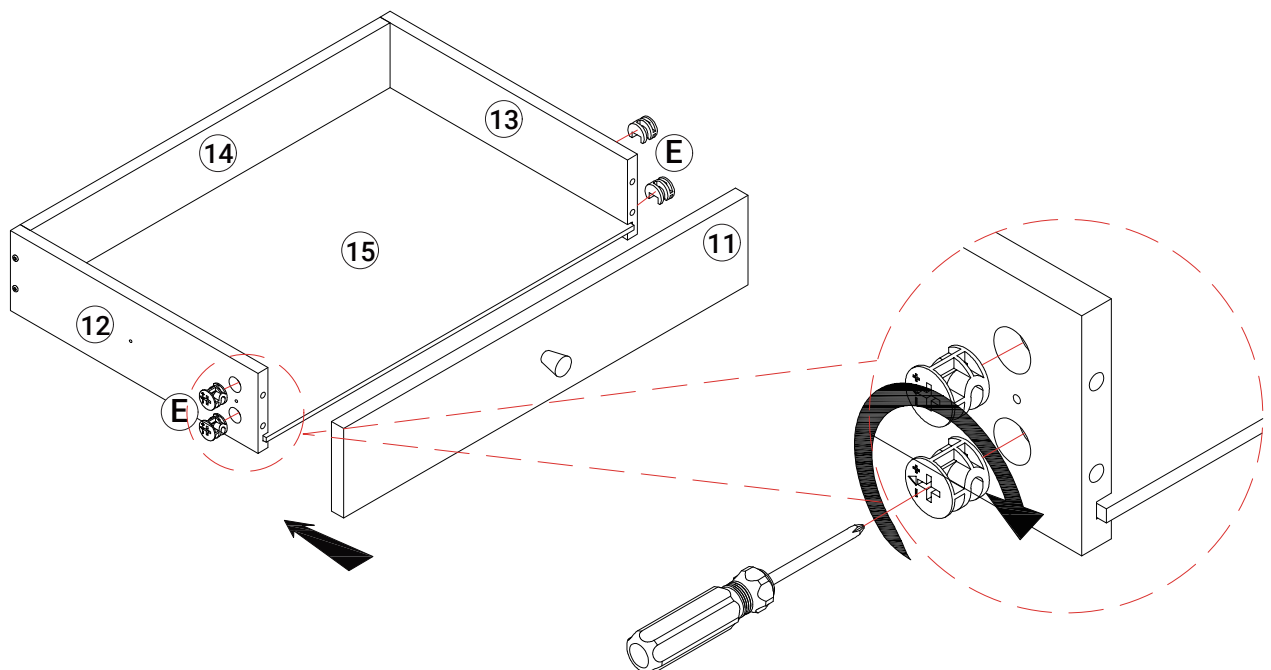
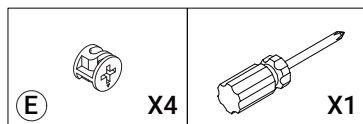
Step 12 | Then slide in the bottom drawer insert (15)



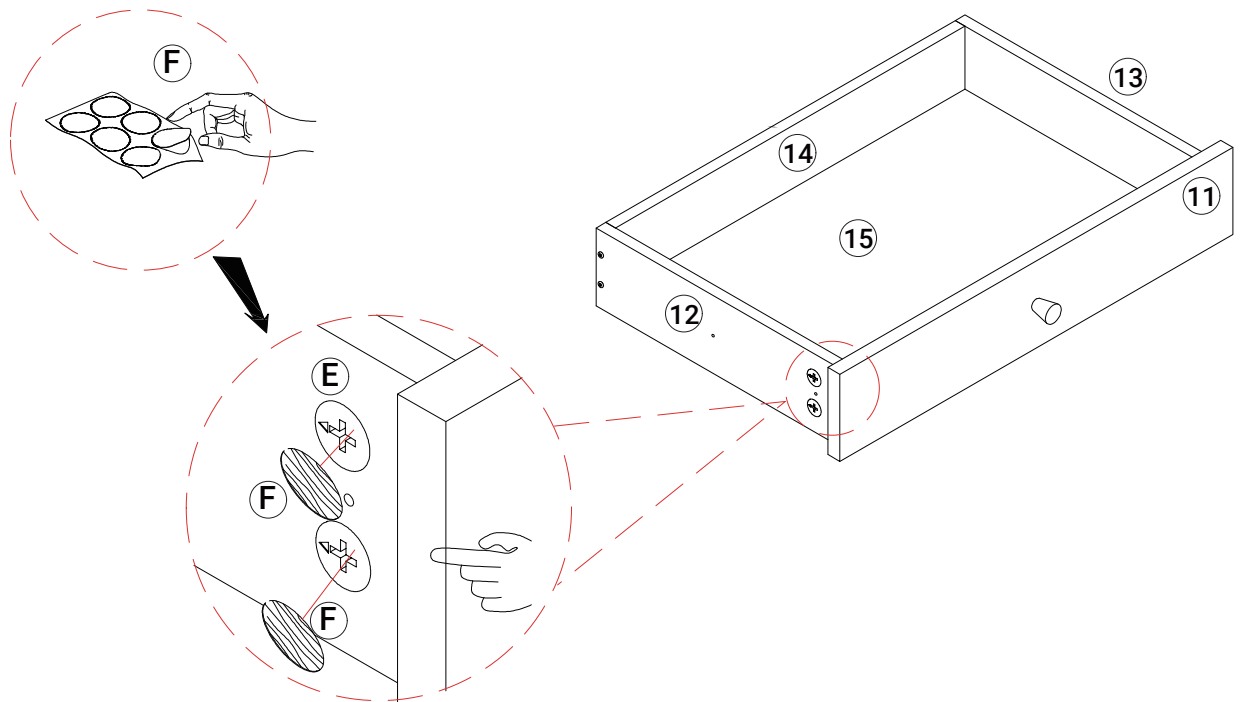
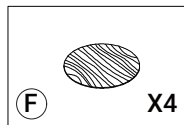
Step 13 | Next, prep the front of the drawer (11) with 4 cam bolts (D) and the knob (I).



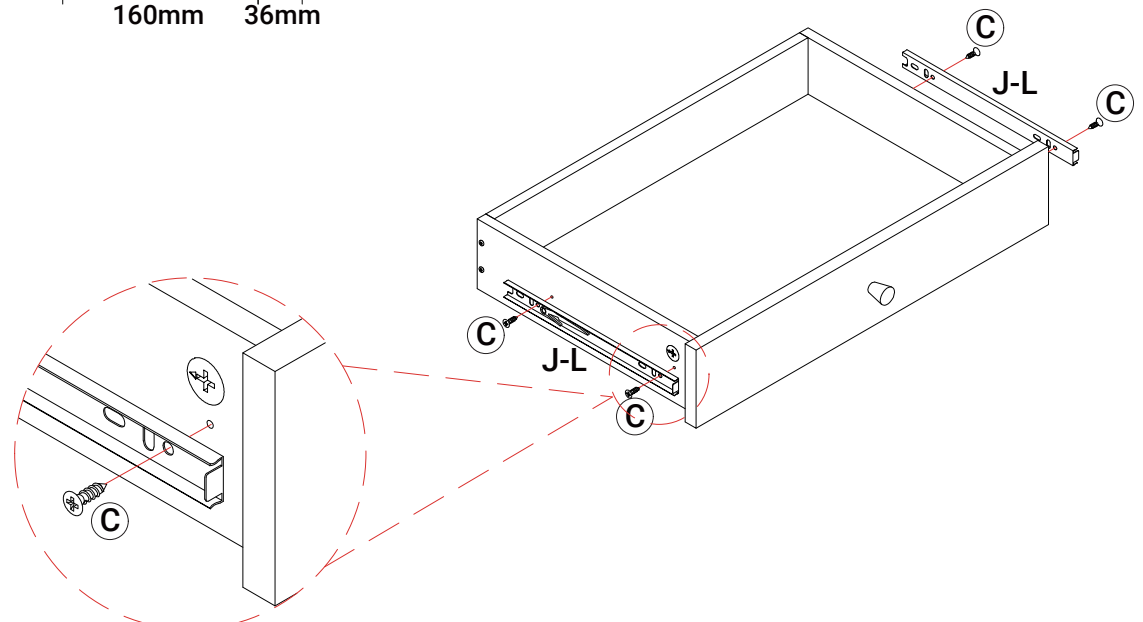
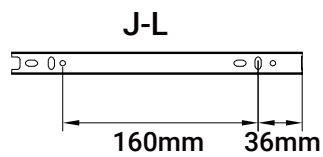
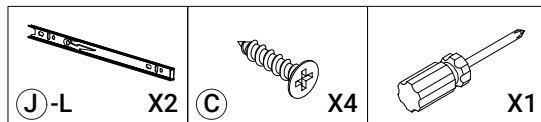
Step 14 | Then secure the front of the drawer in place by aligning the holes and then locking in place with cam locks (E).



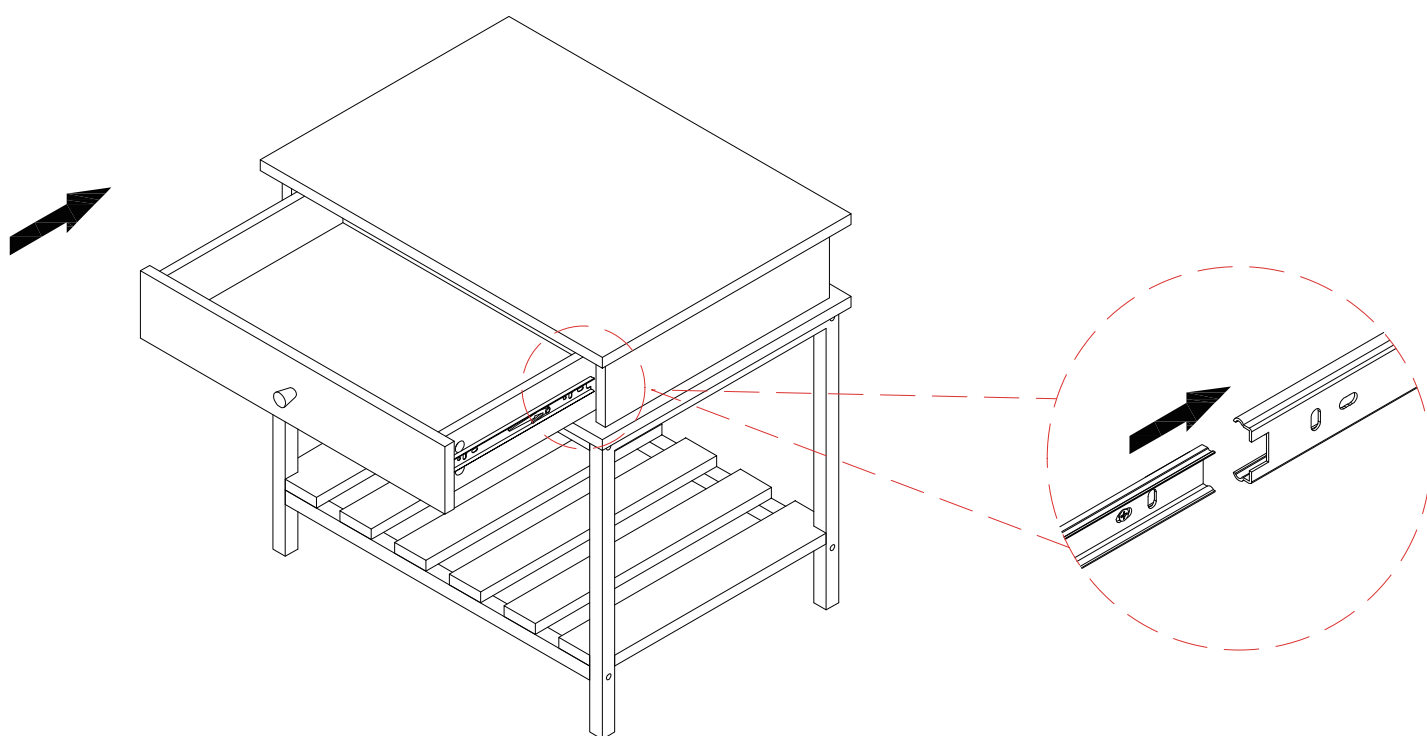
Step 15 | Then cover the cam locks with the provided texture stickers (F).



Step 16 | Finally complete the drawer by placing the slides (J-L) on it with 2 screws (C) for each slide.



Step 17 | Then place the drawer in the table.



Step 18 | Now that all your hard work is done, it's time to relax and enjoy your craftsmanship!

