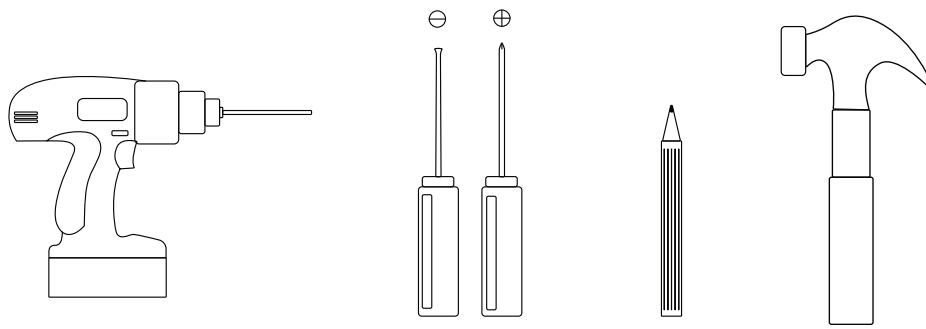
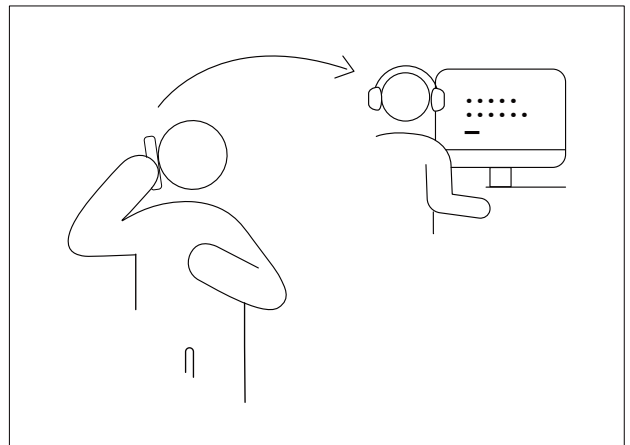
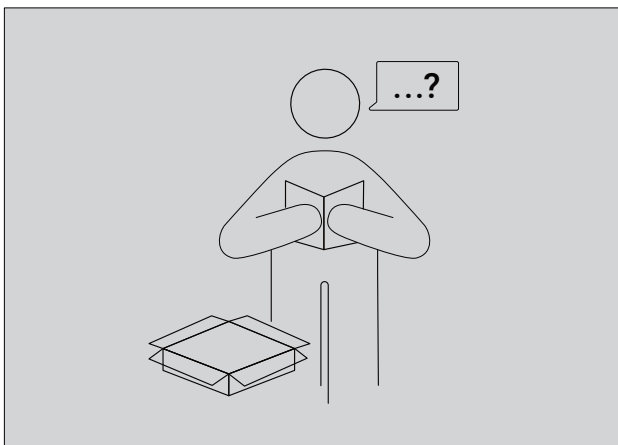
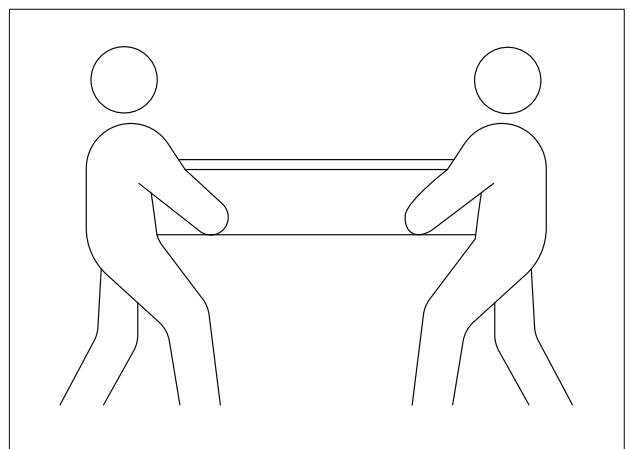
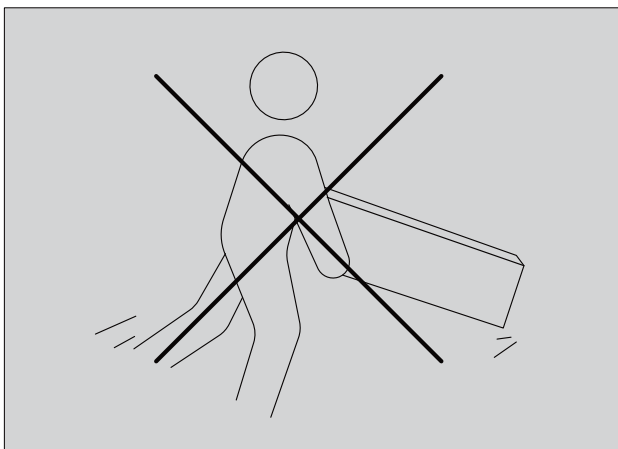
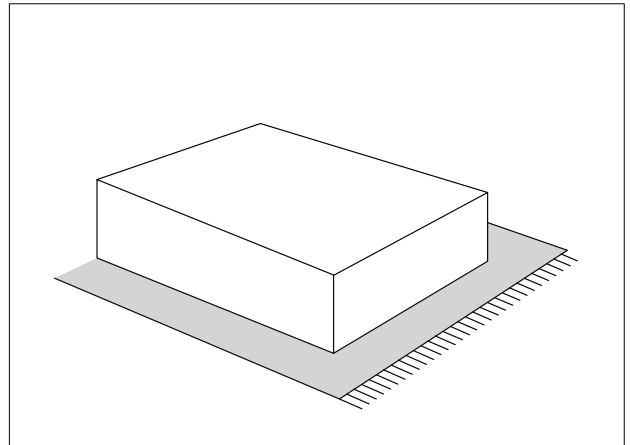
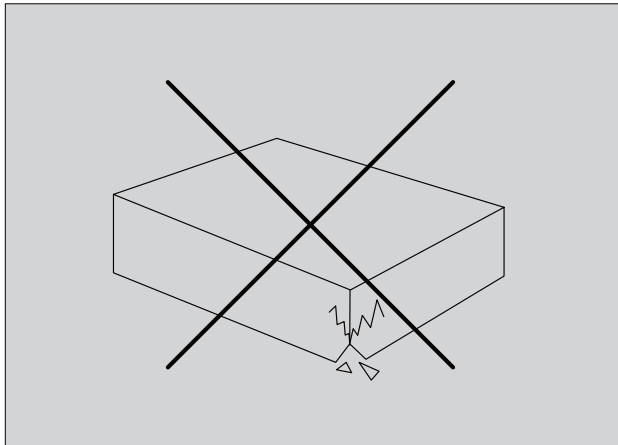


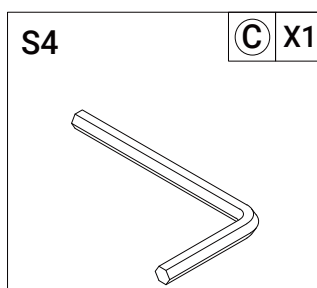
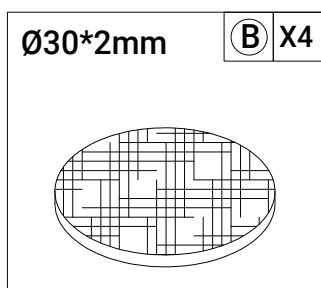
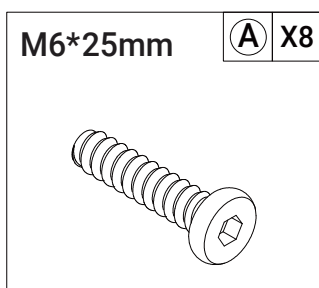
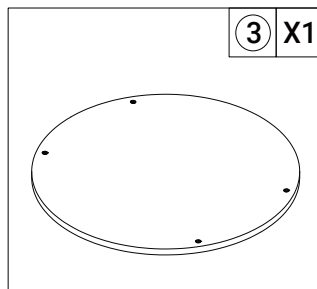
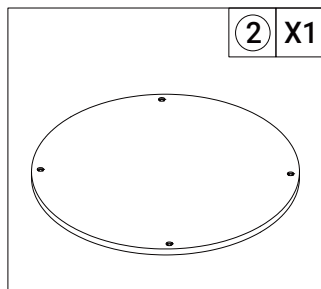
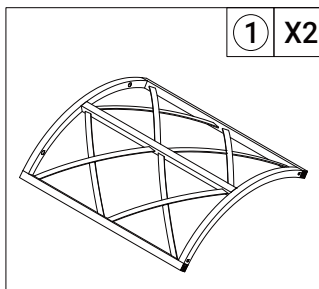
End Table

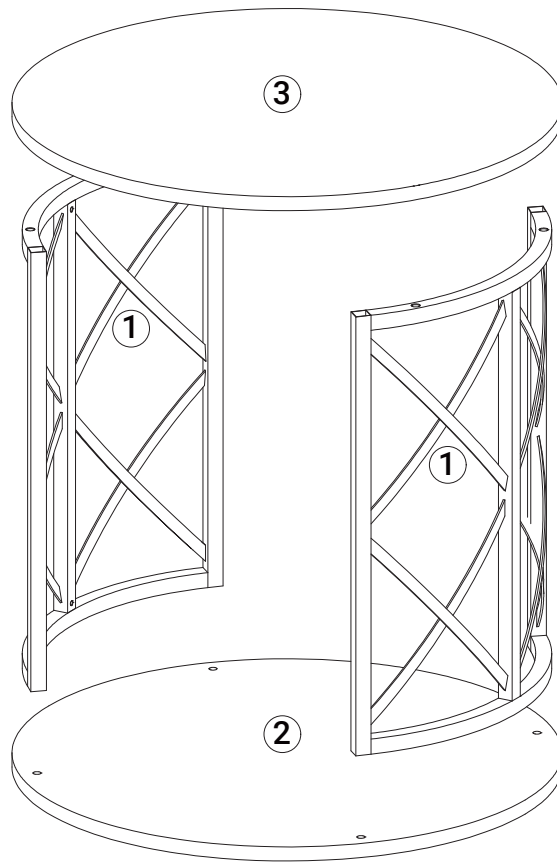
Perfectly designed with simplicity in mind



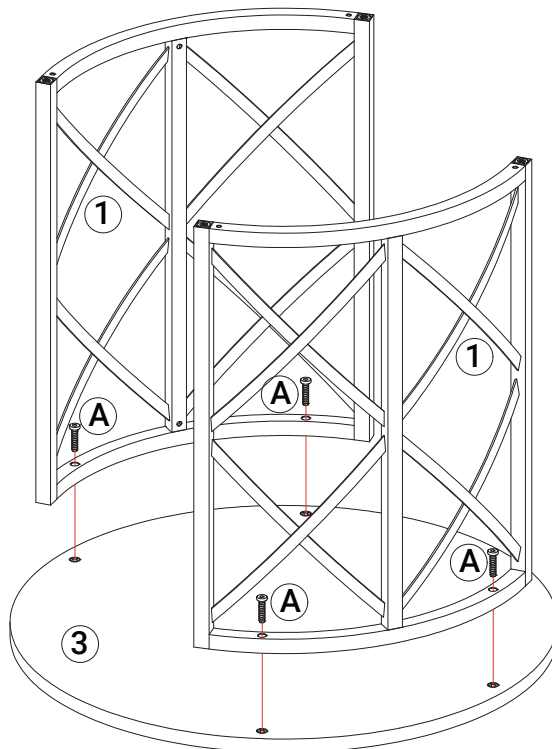
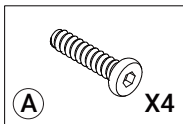
If you have these tools at home to assist you, assembly will be quicker.
If not, no worries, we have included everything required for assembly in the package.



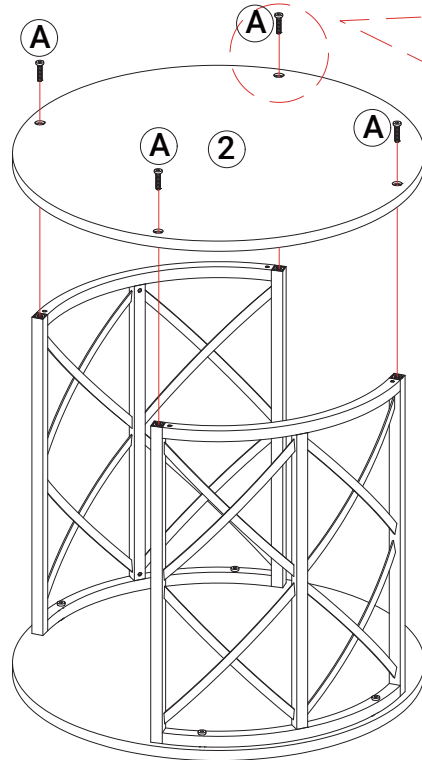
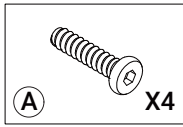




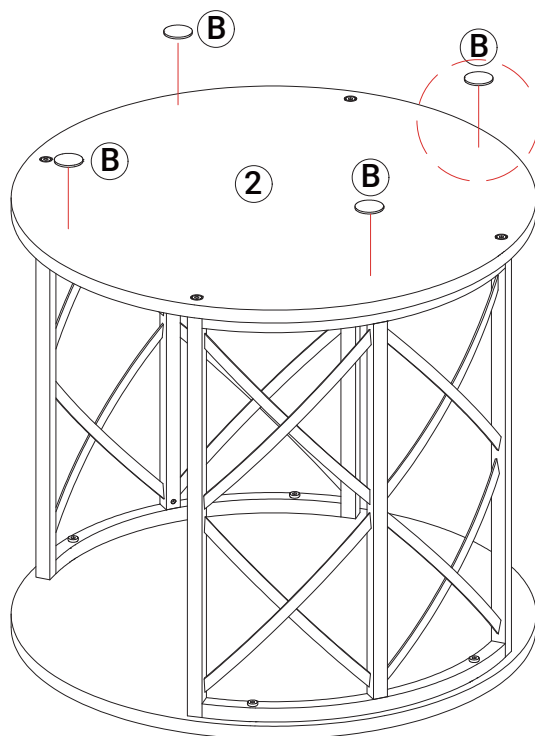
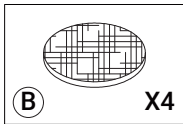
Step 1 | Let's get started. Start by attaching the table top (3) to the side supports (1) using 2 bolts (A) for each support.



Step 2 | Next, attach the table base (2) using 4 bolts (A).



Step 3 | Next attach the table feet (B) to the base (2).



Step 4 | Now that all your hard work is done, it's time to relax and enjoy your craftsmanship!

