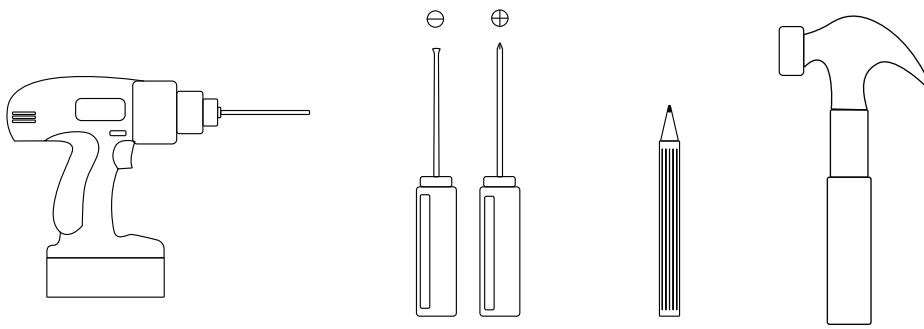
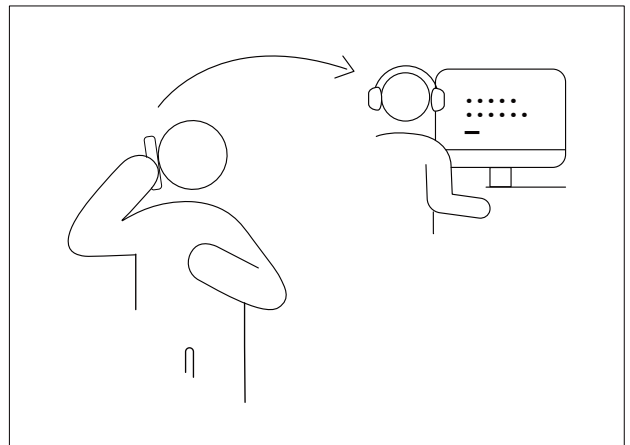
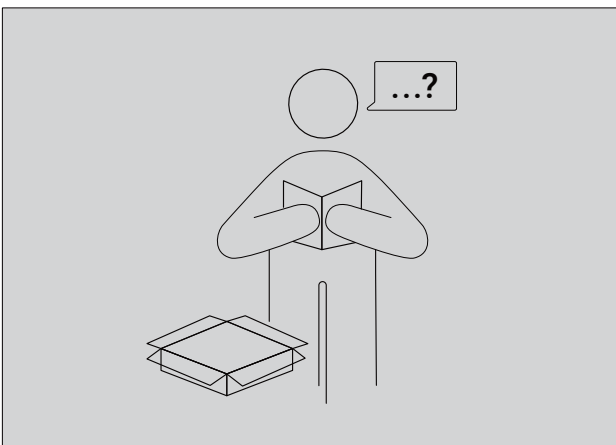
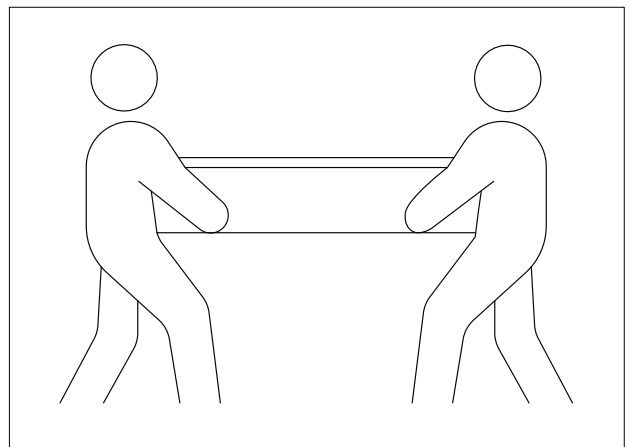
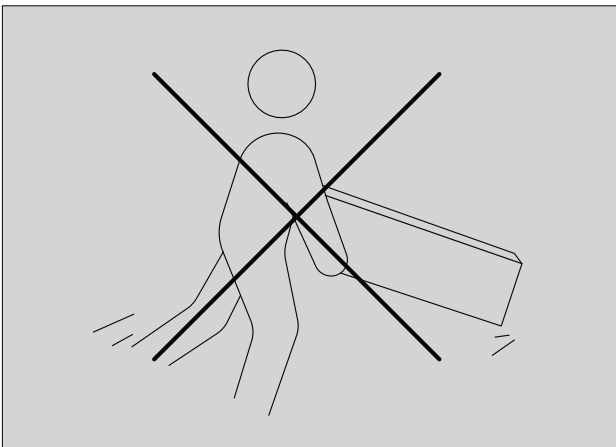
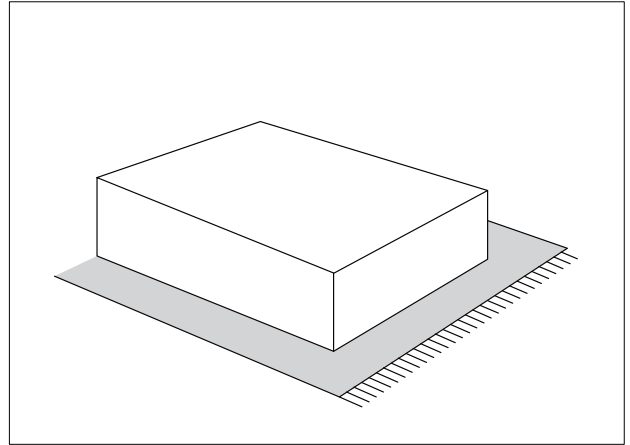
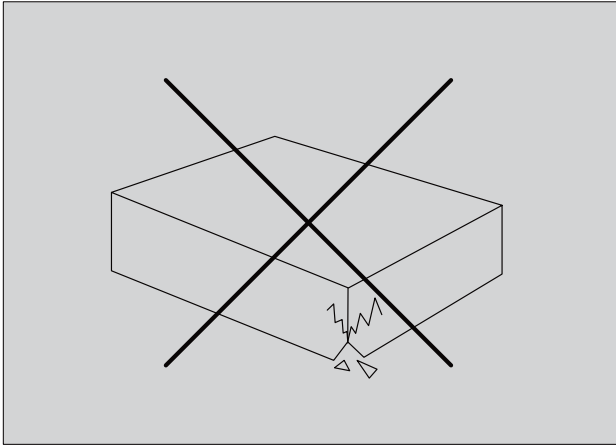


Coffee Table

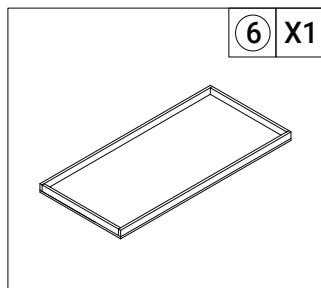
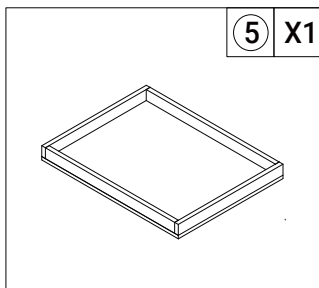
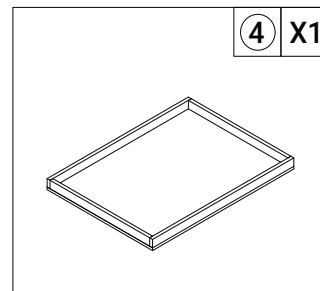
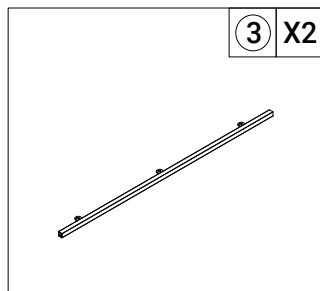
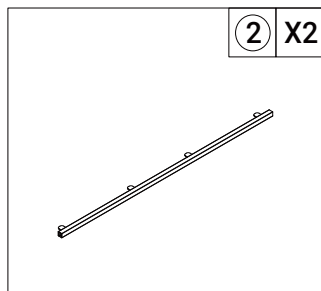
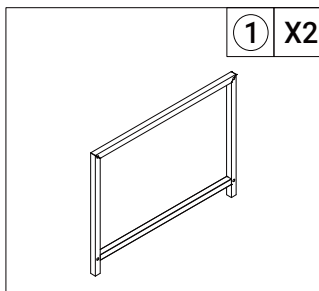
Perfectly designed with simplicity in mind



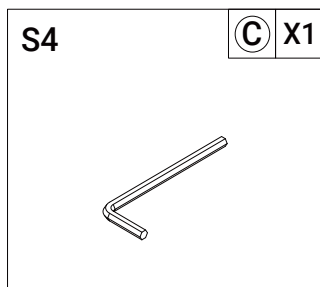
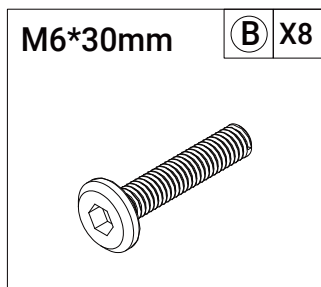
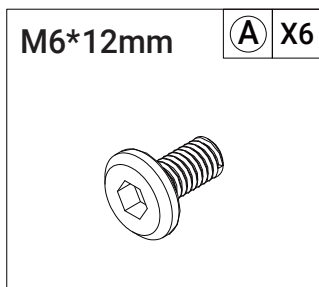
If you have these tools at home to assist you, assembly will be quicker.
If not, no worries, we have included everything required for assembly in the package.

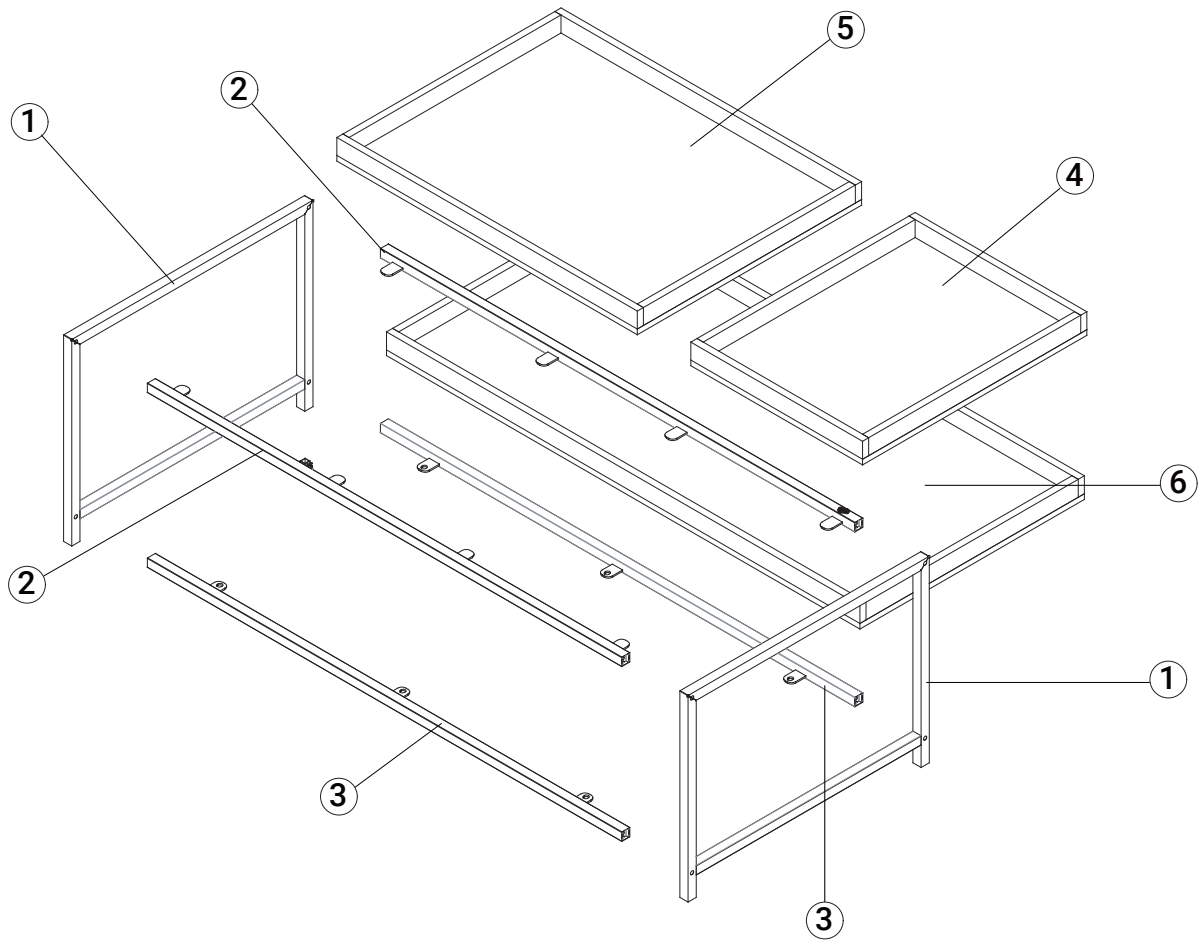


PARTS



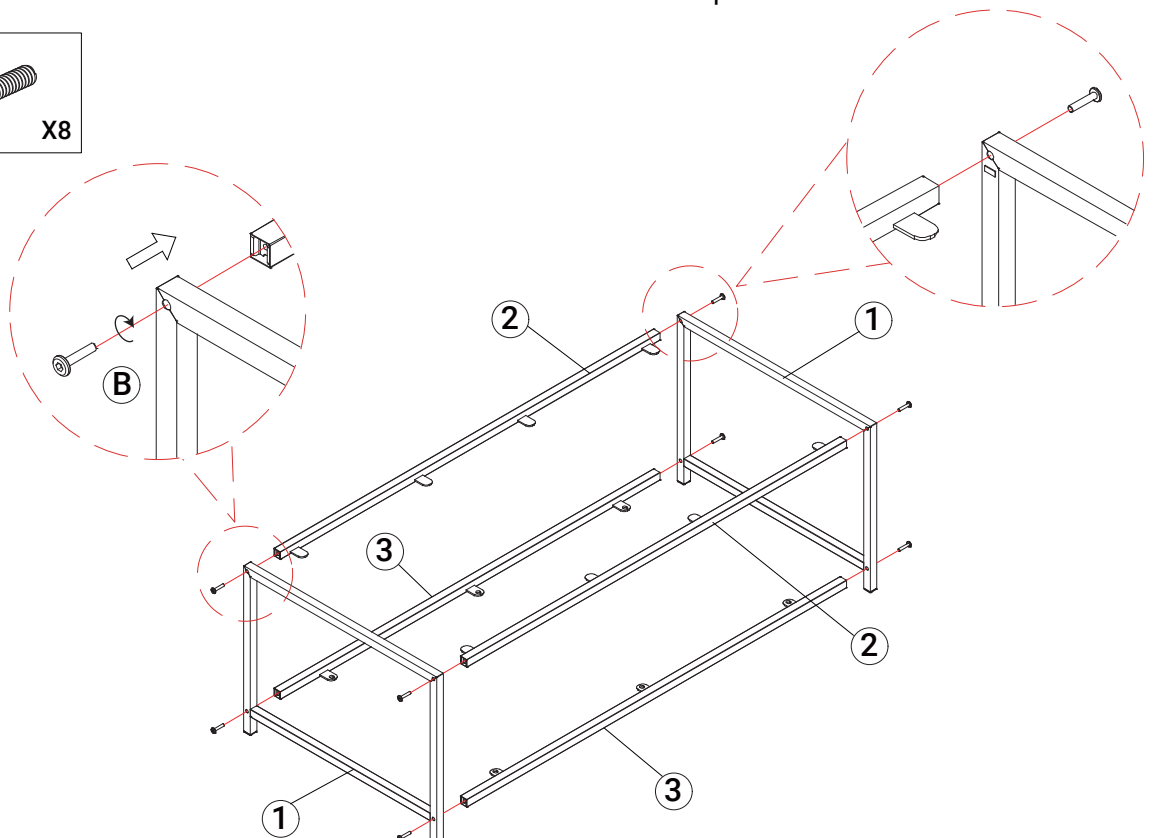
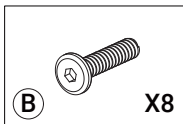
HARDWARE



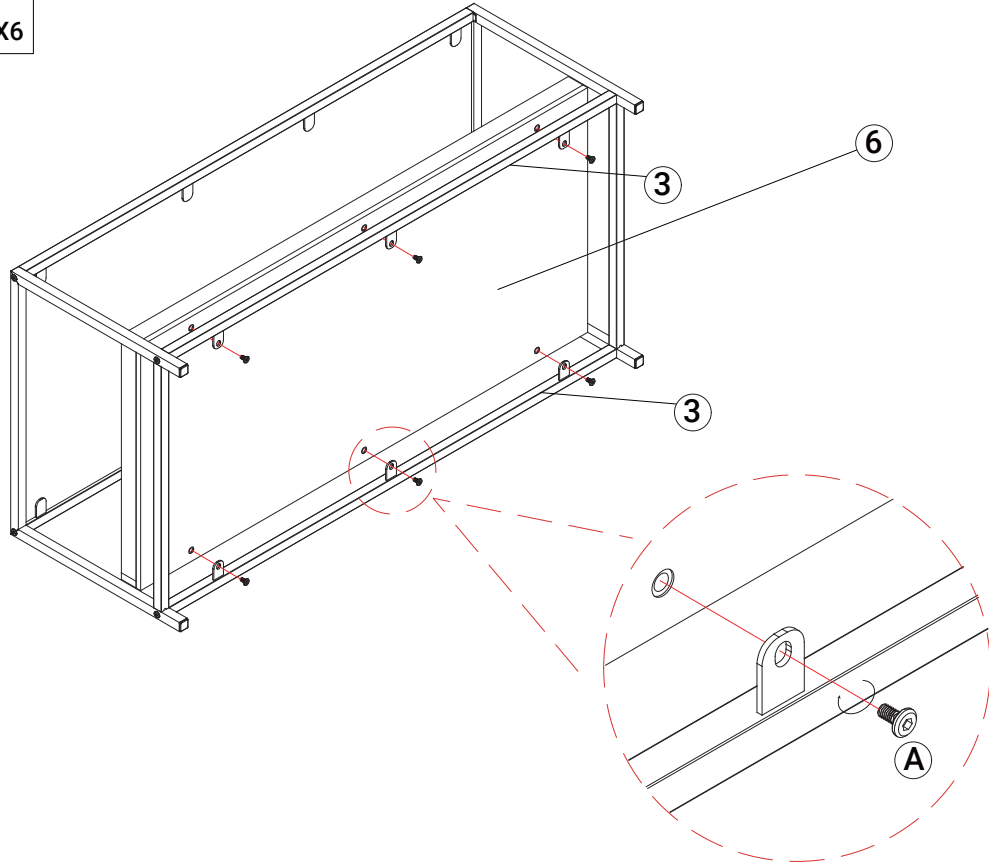
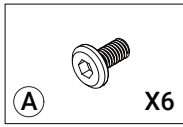


Step 1

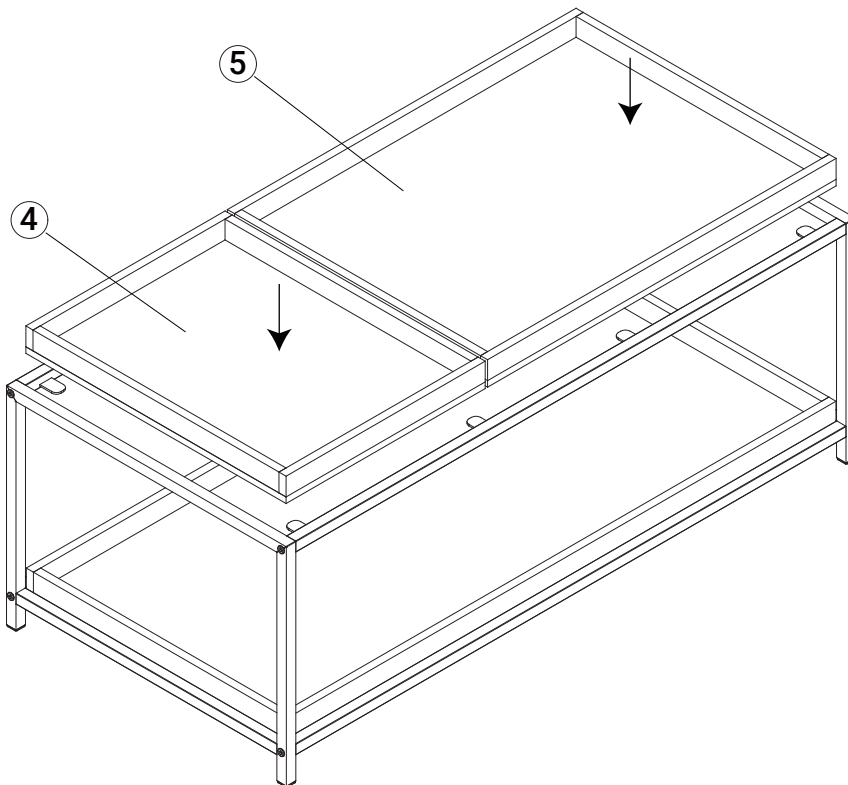
Let's get started. Start by building the table structure by taking the side supports (1), top support beams (2), and bottom support beams (3) and securing them together with hex screws (B). Pay attention to the direction of the beams to ensure the table tops can be installed.



Step 2 | Next, add the bottom shelf (6) to the structure and secure in place with 6 hex screws (A).



Step 3 | Finally, place the removal trays (4 and 5) in place. Note that they can be placed in any order and are meant to be easily removed so they can be used as trays.



Step 4 | Now that all your hard work is done, it's time to relax and enjoy your craftsmanship!

