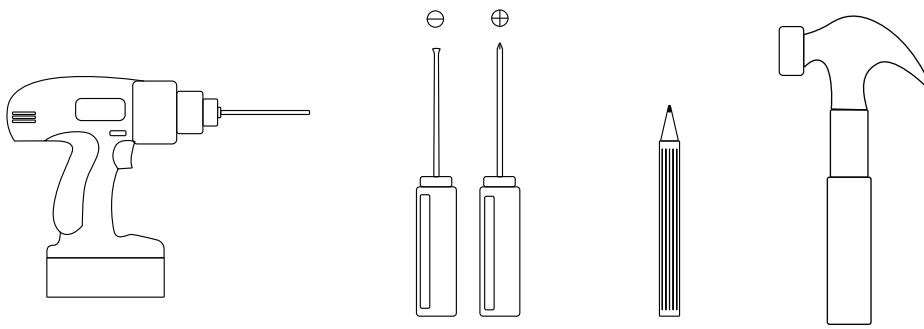
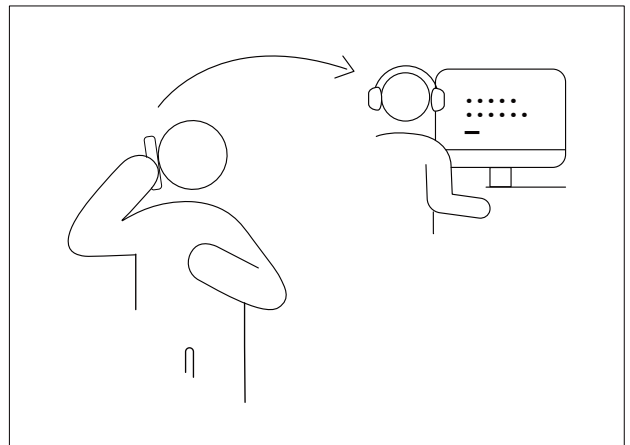
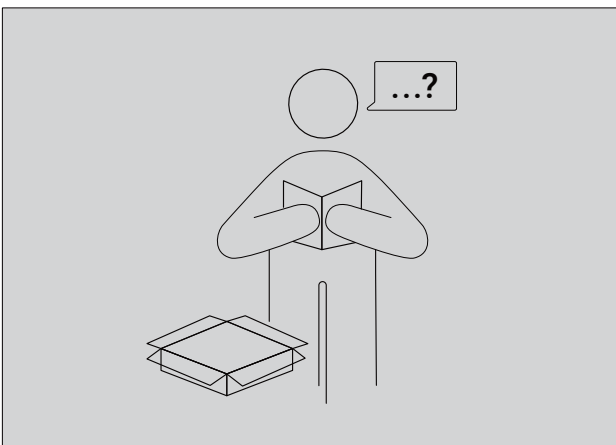
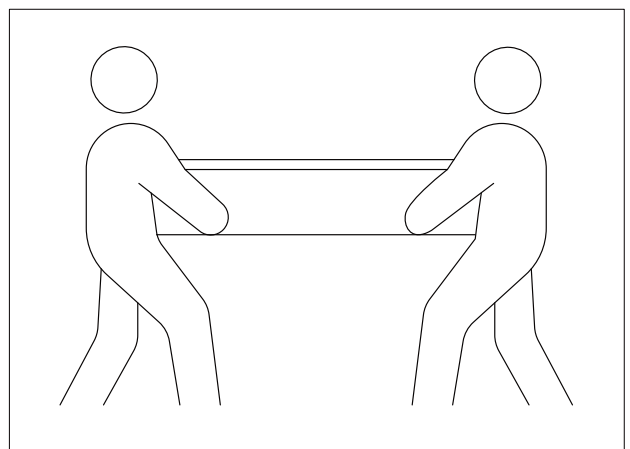
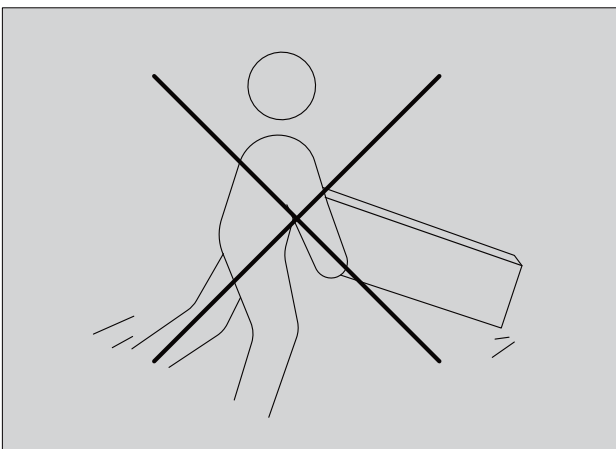
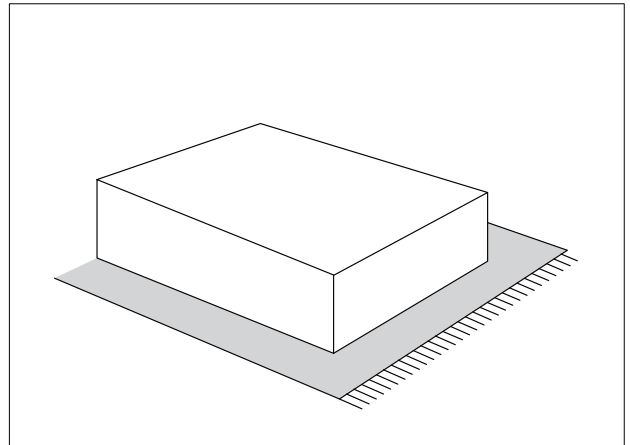
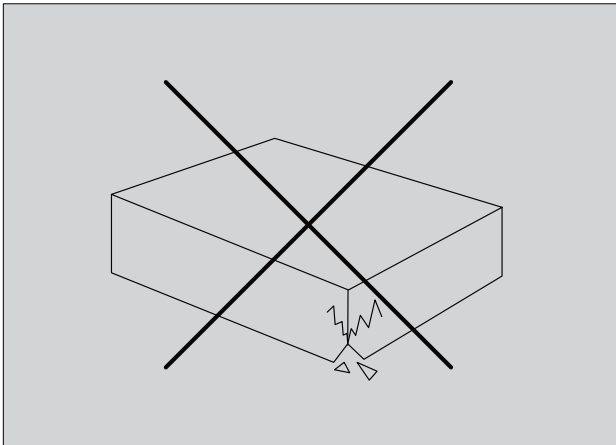


Coffee Table

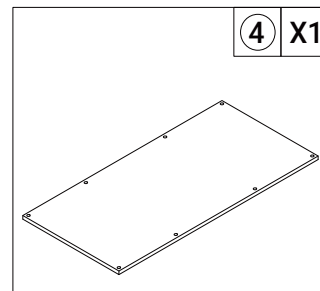
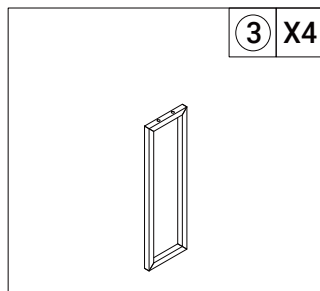
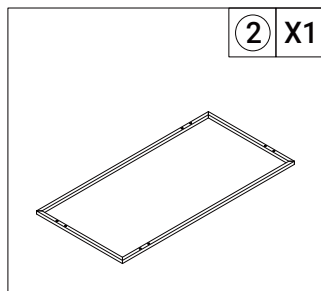
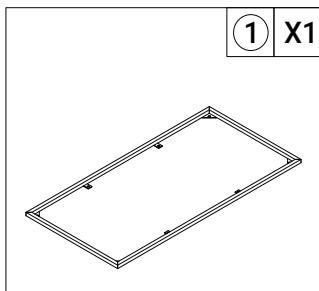
Perfectly designed with simplicity in mind



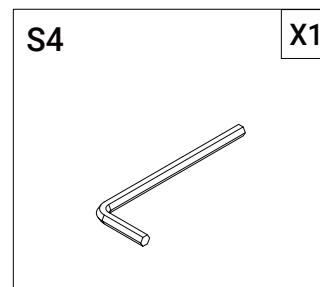
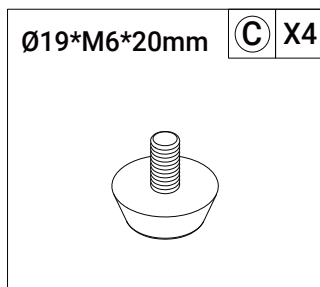
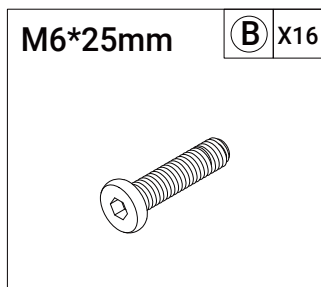
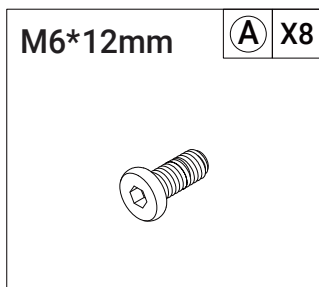
If you have these tools at home to assist you, assembly will be quicker.
If not, no worries, we have included everything required for assembly in the package.

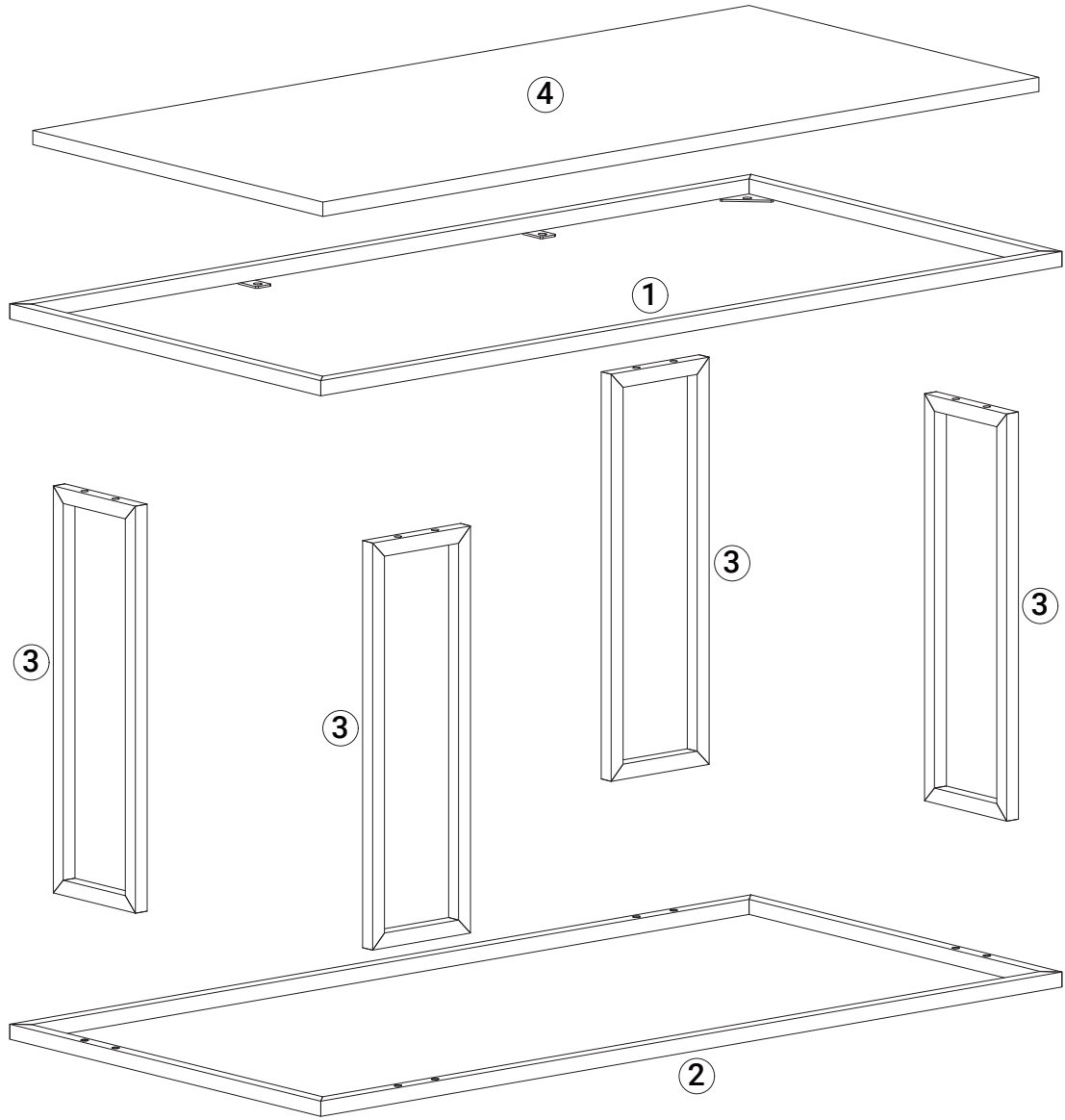


PARTS

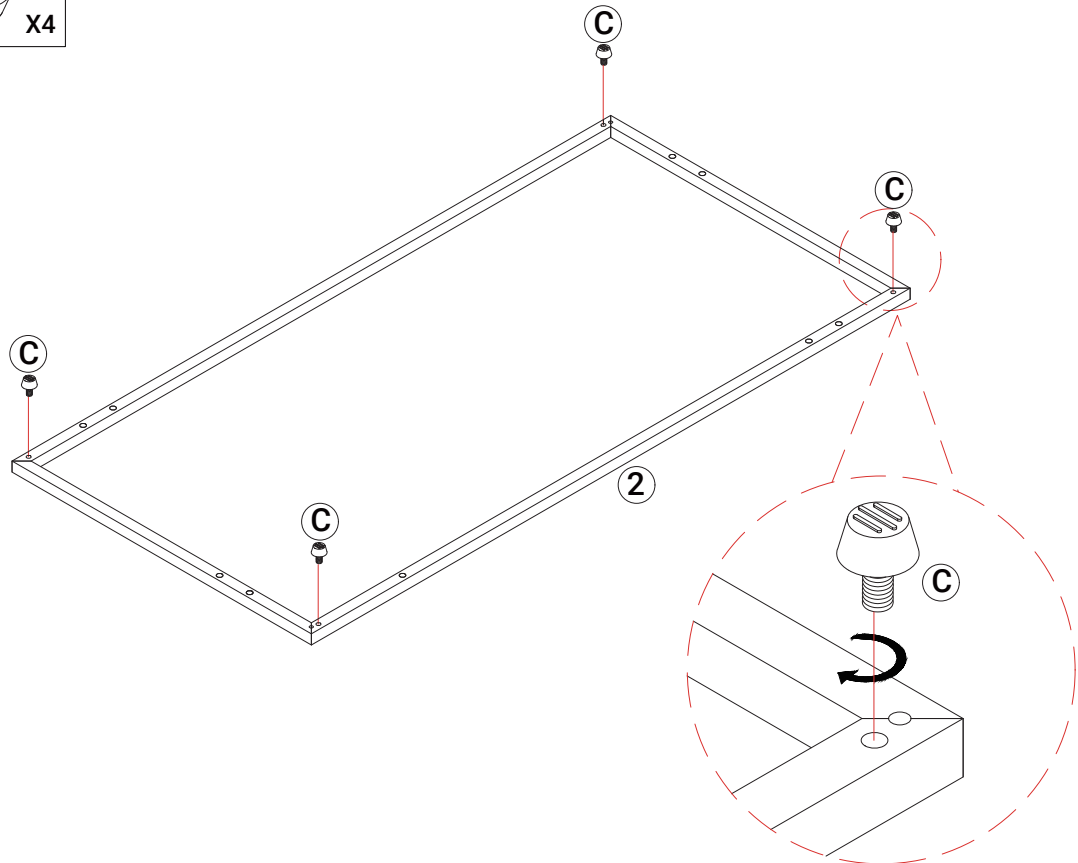
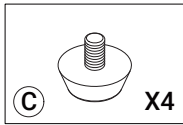


HARDWARE

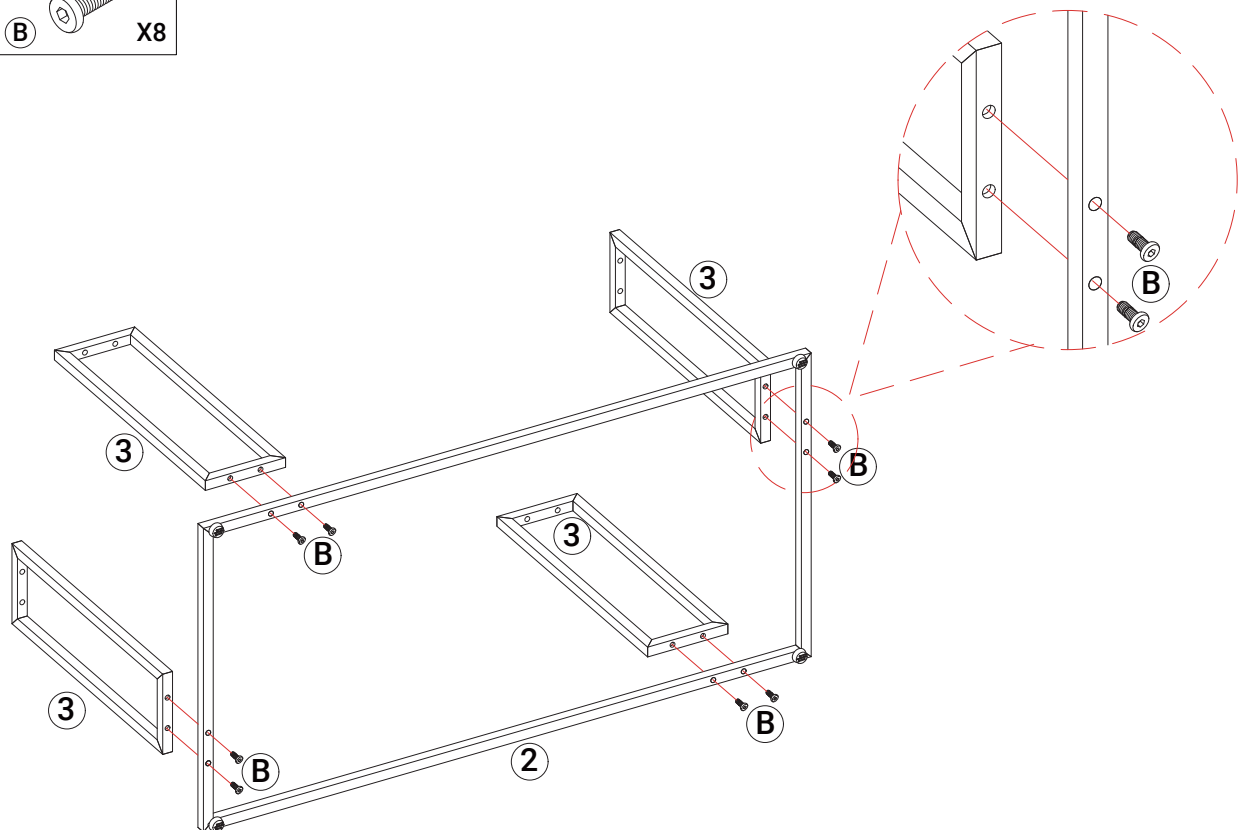
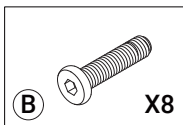




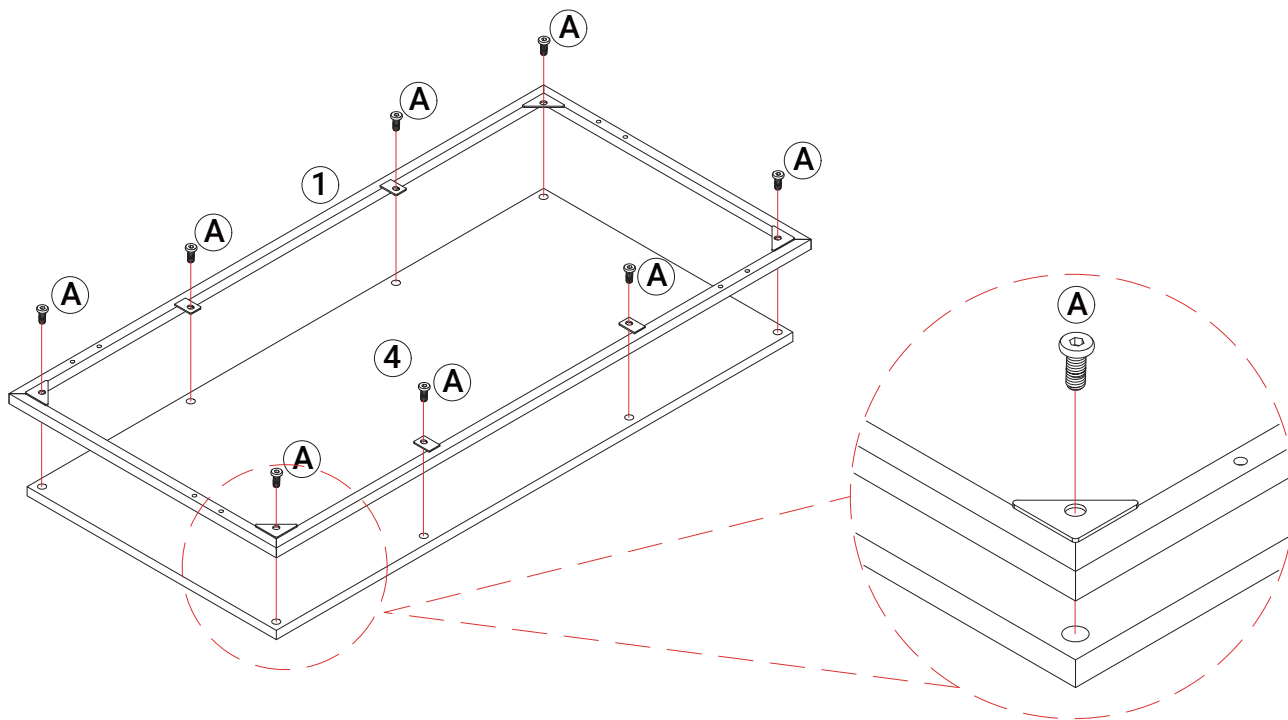
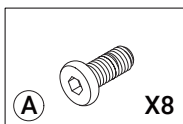
Step 1 | Let's get started. Start by attaching the feet (C) to the bottom support frame (2).



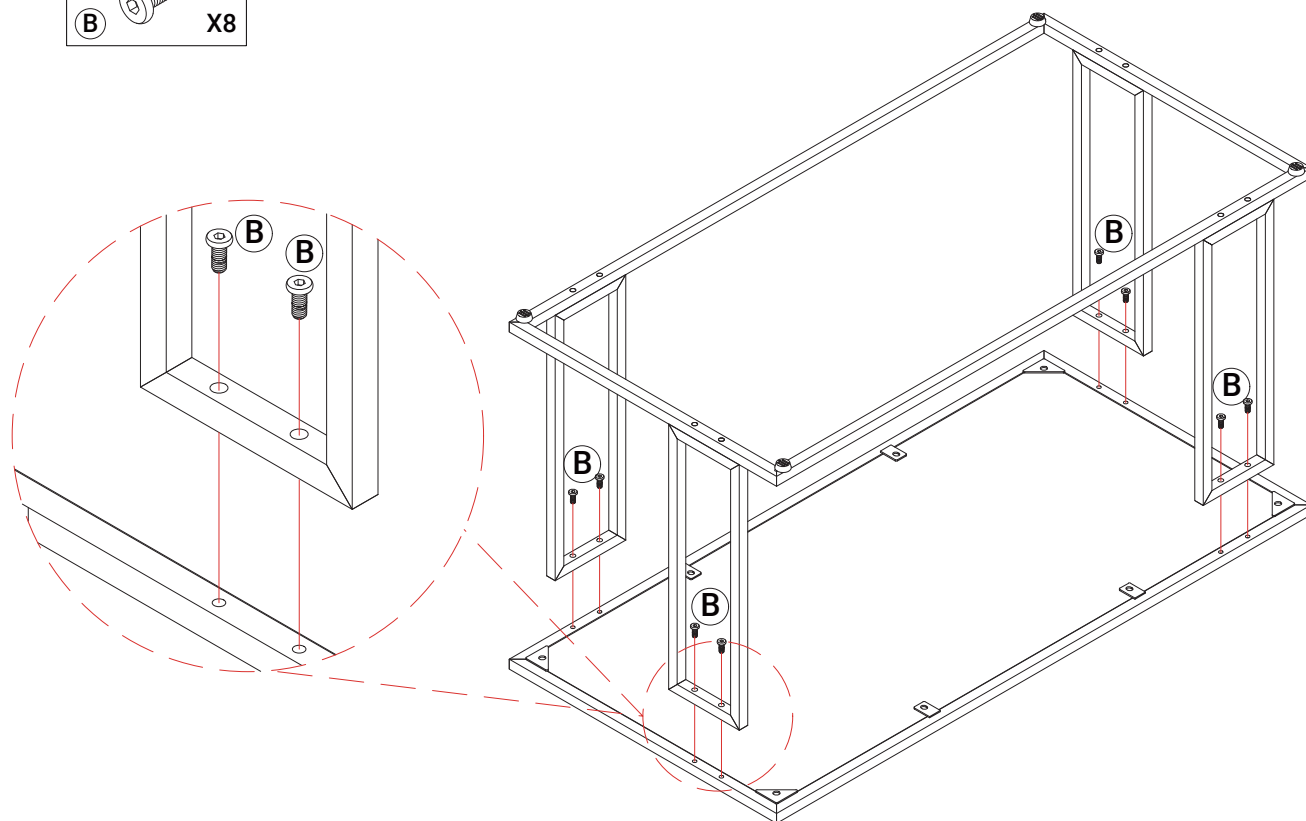
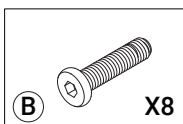
Step 2 | Next, attach the side supports (3) to the base (2) using 2 bolts (B) for each side support.



Step 3 | Next, connect the table top (4) to the top frame (1) using 8 bolts (A).



Step 4 | Next, complete the table by combining the frame and table top using 8 bolts (B).



Step 5 | Now that all your hard work is done, it's time to relax and enjoy your craftsmanship!

