

# ASSEMBLY INSTRUCTION

## PARTS LIST



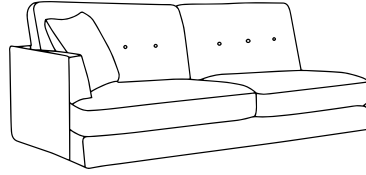
**A\*4**



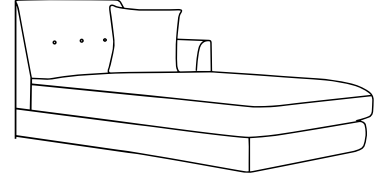
**B\*12**



**C\*1**



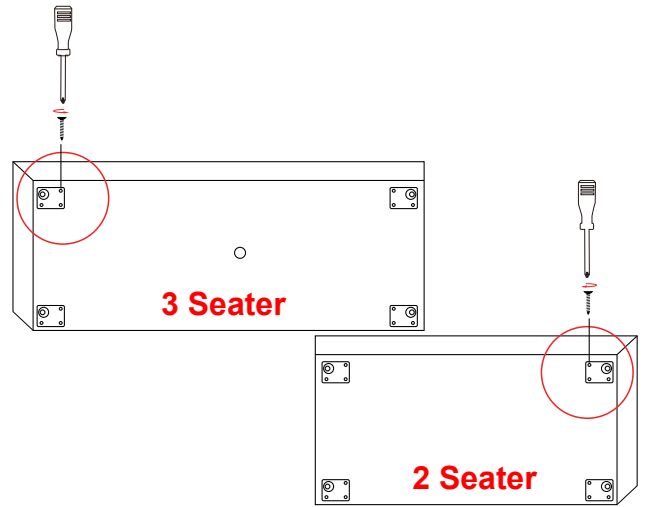
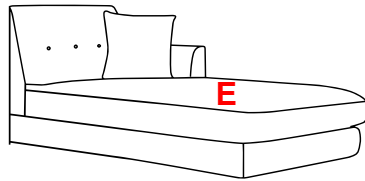
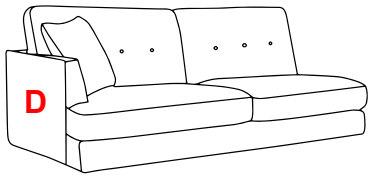
**D\*1**



**E\*1**

assemble follow below steps

### STEP 1



### STEP 2

