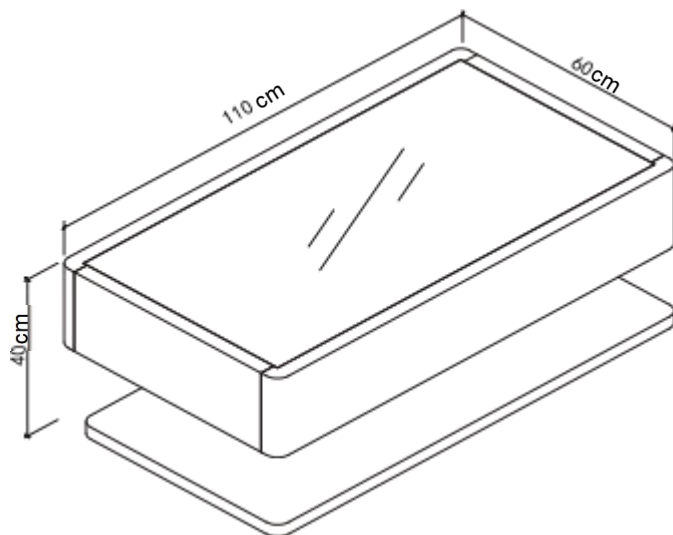


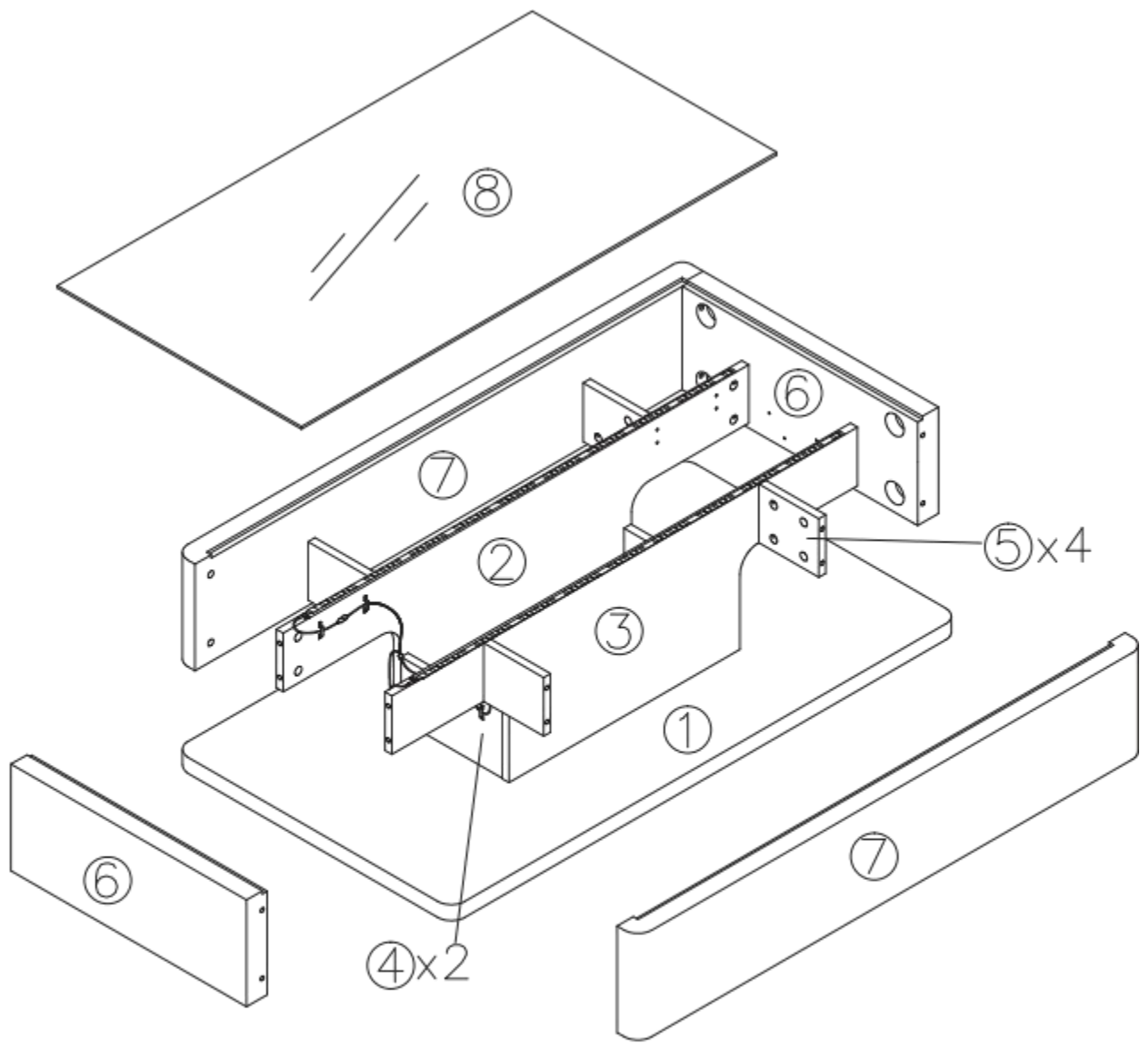
PRODUCT NAME


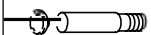

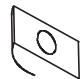





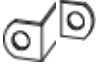

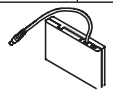

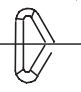
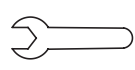

BLANC 110 Coffee Table



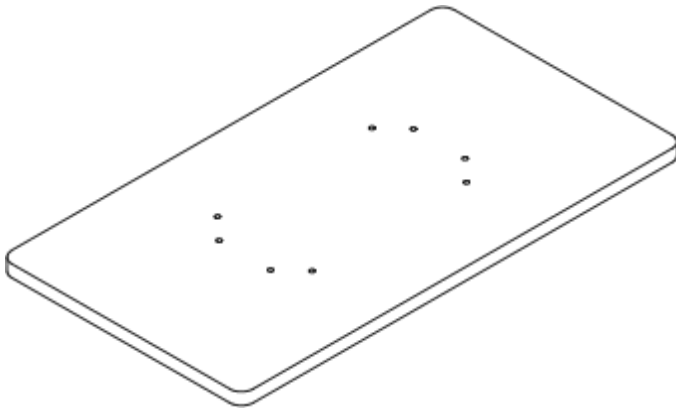
EN

1. Identify the parts which make up your piece of furniture.
  2. Gather the hardware parts and count them.
  3. Have the necessary assembly tools ready.
  4. Organize a space for assembly, wall carpeting or a blanket will protect the furniture against scratches.
  5. Never force the assembling while you put the parts together. You are recommended to tighten the screws after the furniture has been used for some time.
  6. After assembling this product, it is advisable to regularly ventilate the room for a few days.
- KEEP THE ASSEMBLY INSTRUCTION. THE RELEVANT INFORMATION YOU CAN FIND ON IT WILL HELP YOU GET IN TOUCH WITH YOUR STORE IF A PART WAS TO BE MISSING.

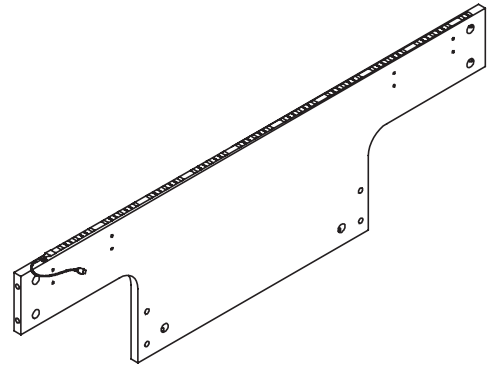


101	x 40	102	x 40	103	x 8	104	x 8	105	x 8	106	x 8	107	x 6	108	x 12
															
Φ 15x12mm		Φ 7 32 5		M8x70mm		30x15x8mm		M8		Φ42x10mm				Φ 3x12mm	
109	x 3	110	x 3	111	x 1	112	x 1	113	x 1	114	x 1	115	x 1	116	x 40
															
Φ 4x14mm		19x13x1		42x21x12mm		124x70x17mm		84x39x5mm		30x 0tr				ø20mm	

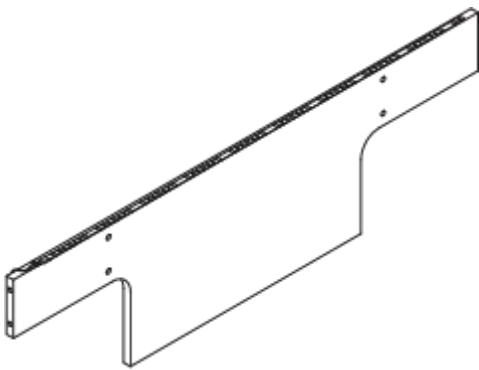
# PARTS LIST



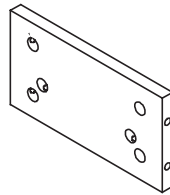
①x1  
1100\*600\*30 mm



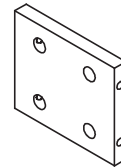
②x1  
1008\*290\*15 mm



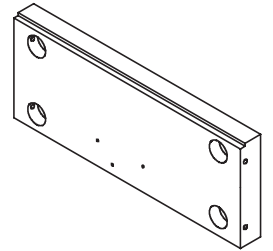
③x1  
1008\*290\*15 mm



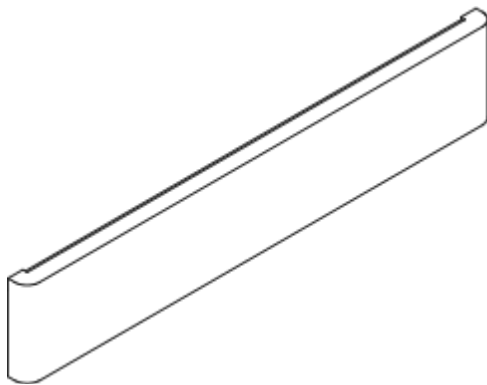
④x2  
220\*118\*15 mm



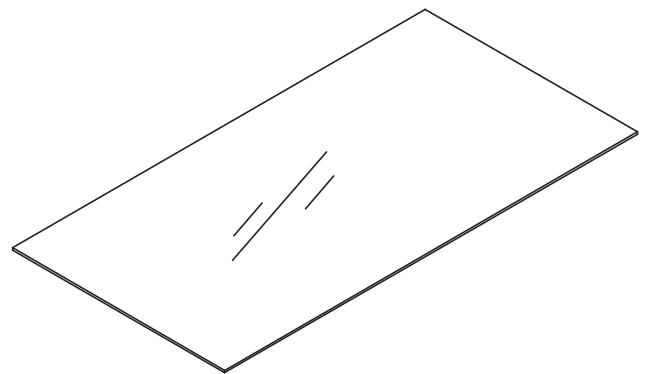
⑤x4  
130\*110\*15 mm



⑥x2  
510\*200\*45 mm

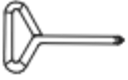



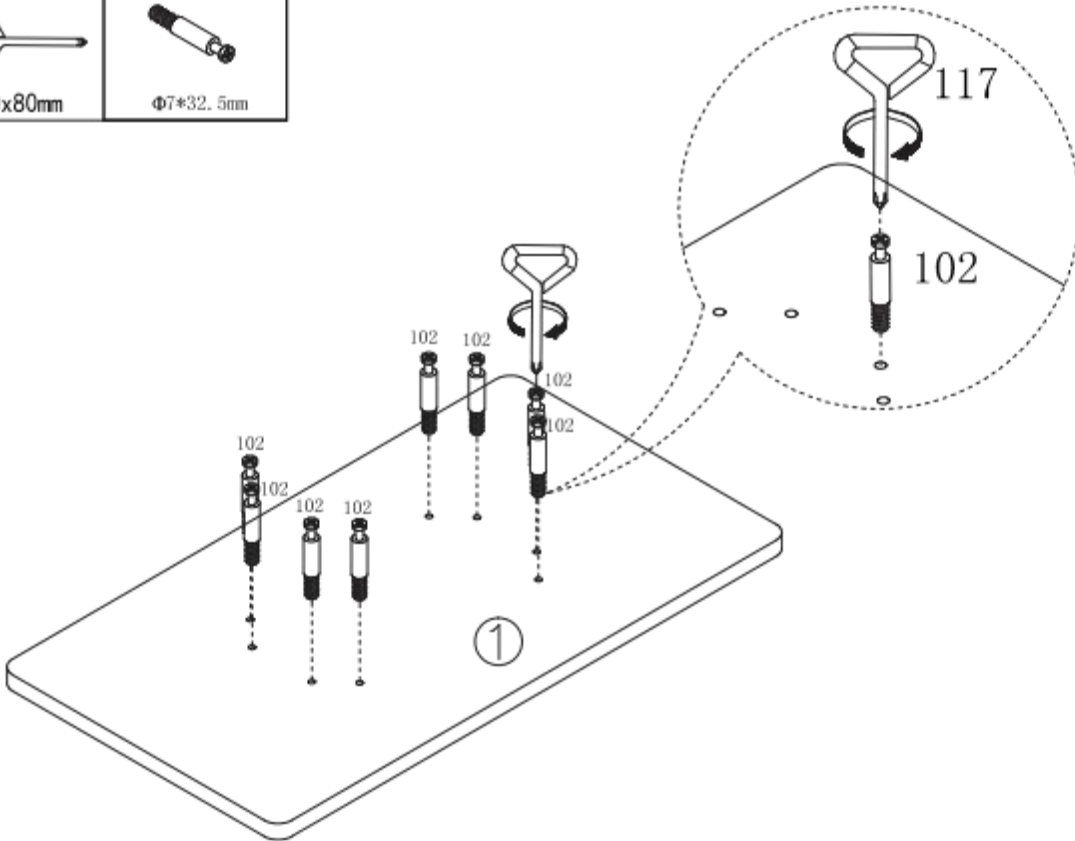
⑦x2  
1100\*200\*45 mm



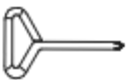


⑧x1  
1026\*528\*8 mm

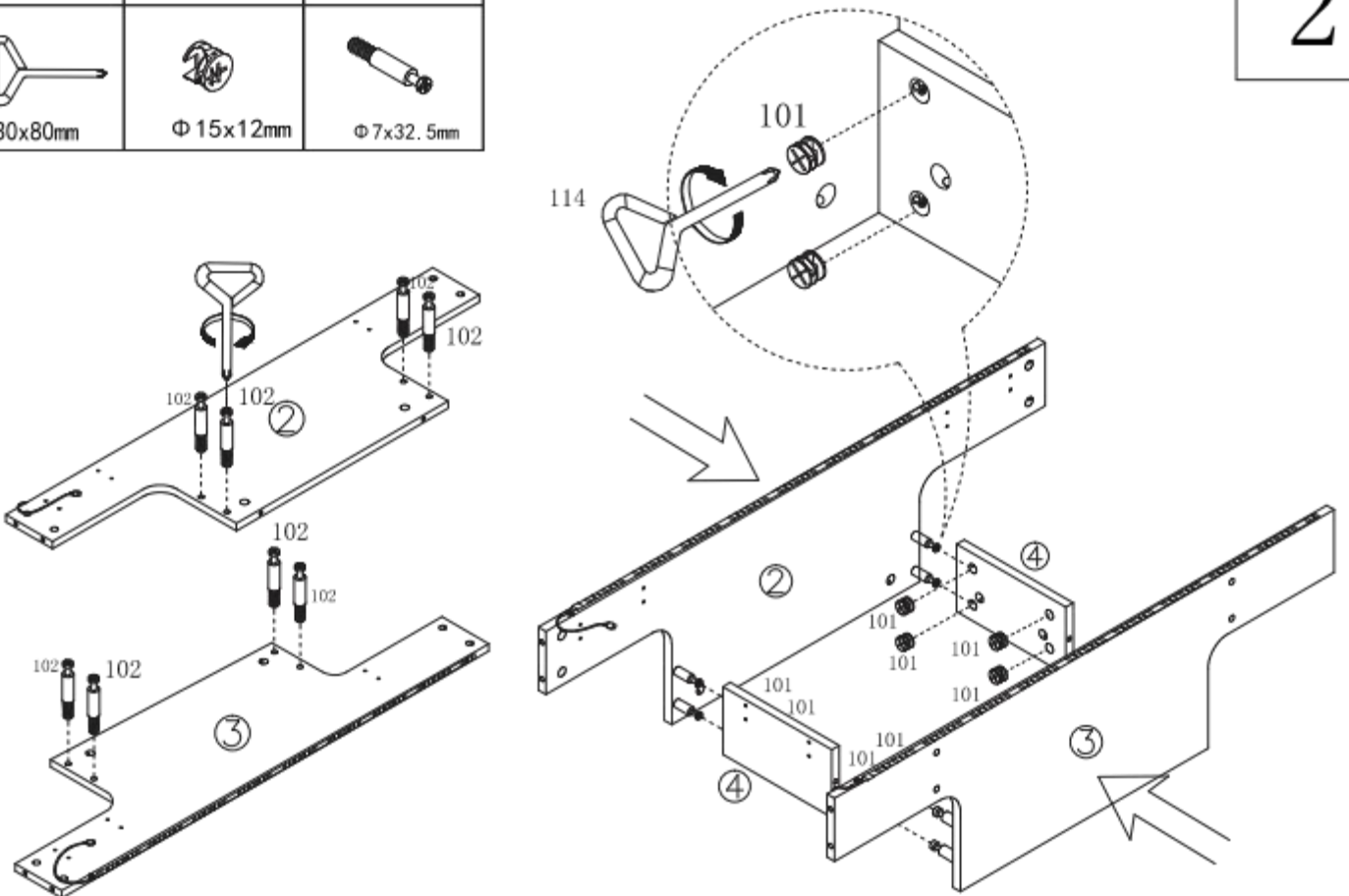
1

114x1	102x8
	
30x80mm	Φ7*32.5mm

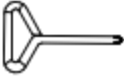



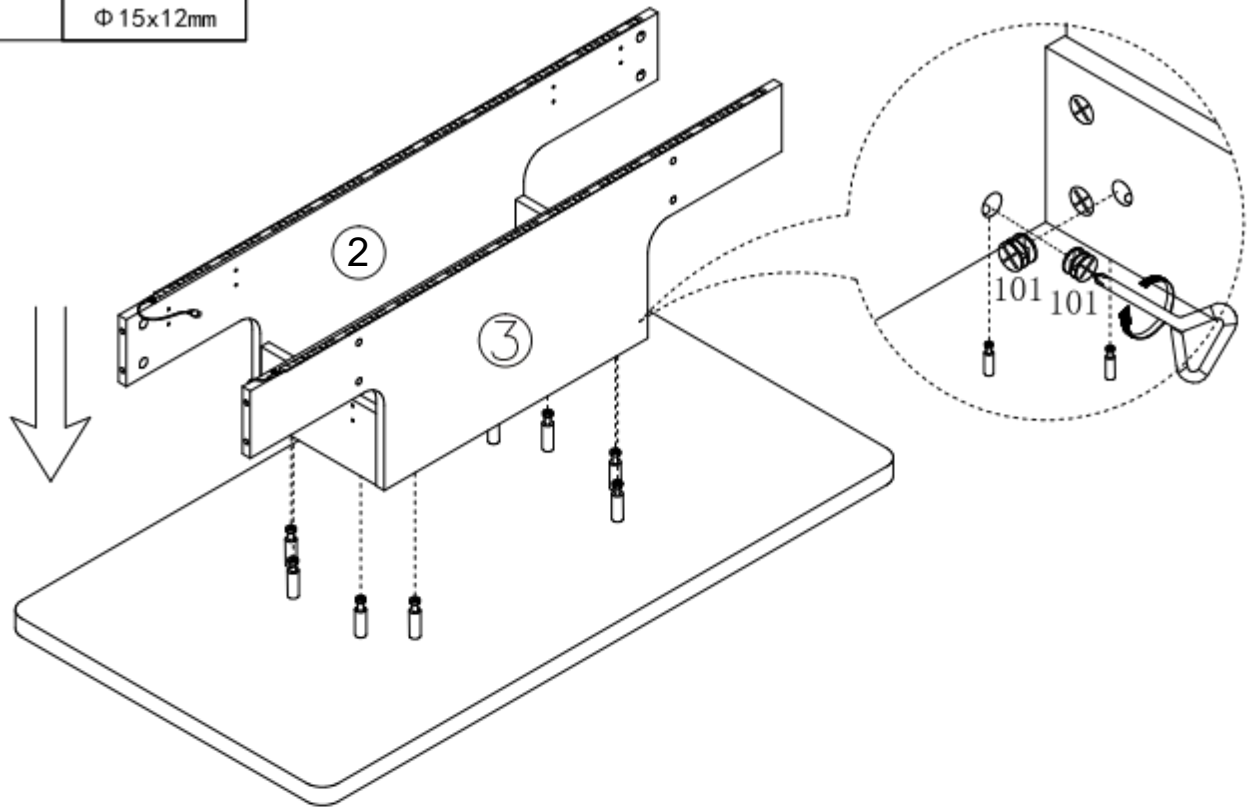
2

114x1	101x8	102x8
		
30x80mm	Φ 15x12mm	Φ 7x32.5mm

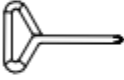



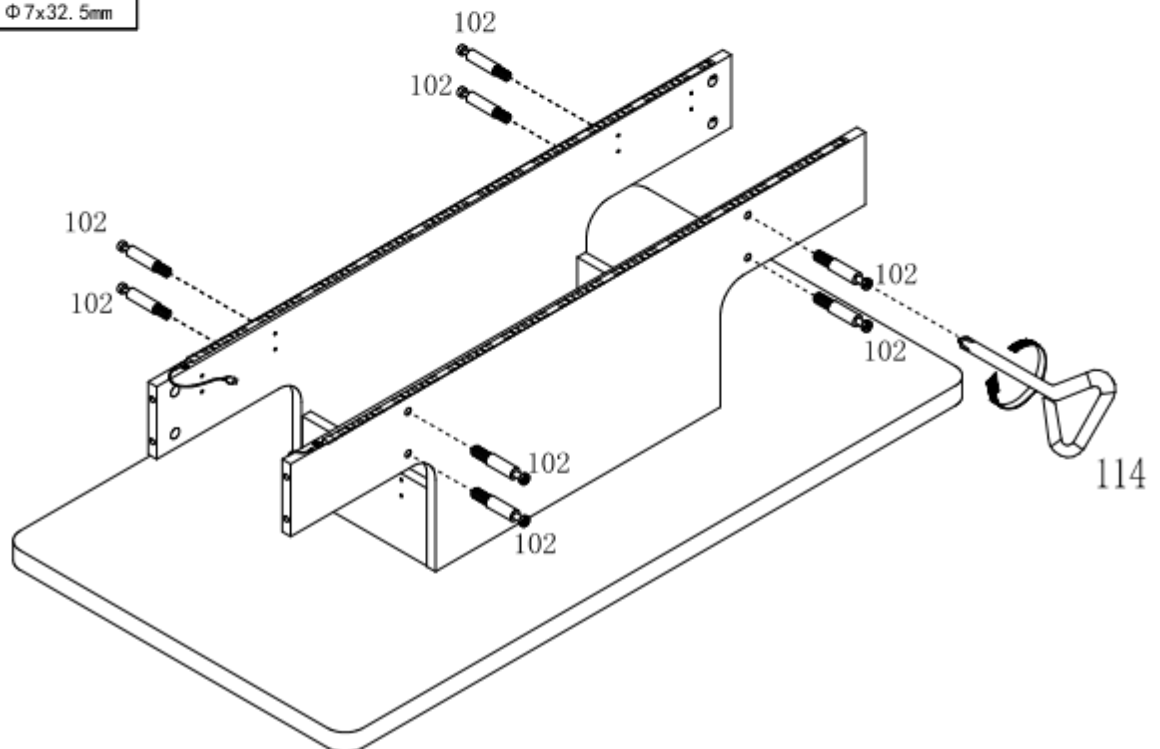
3

114x1	101x8
	
30x80mm	Φ 15x12mm

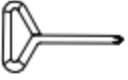



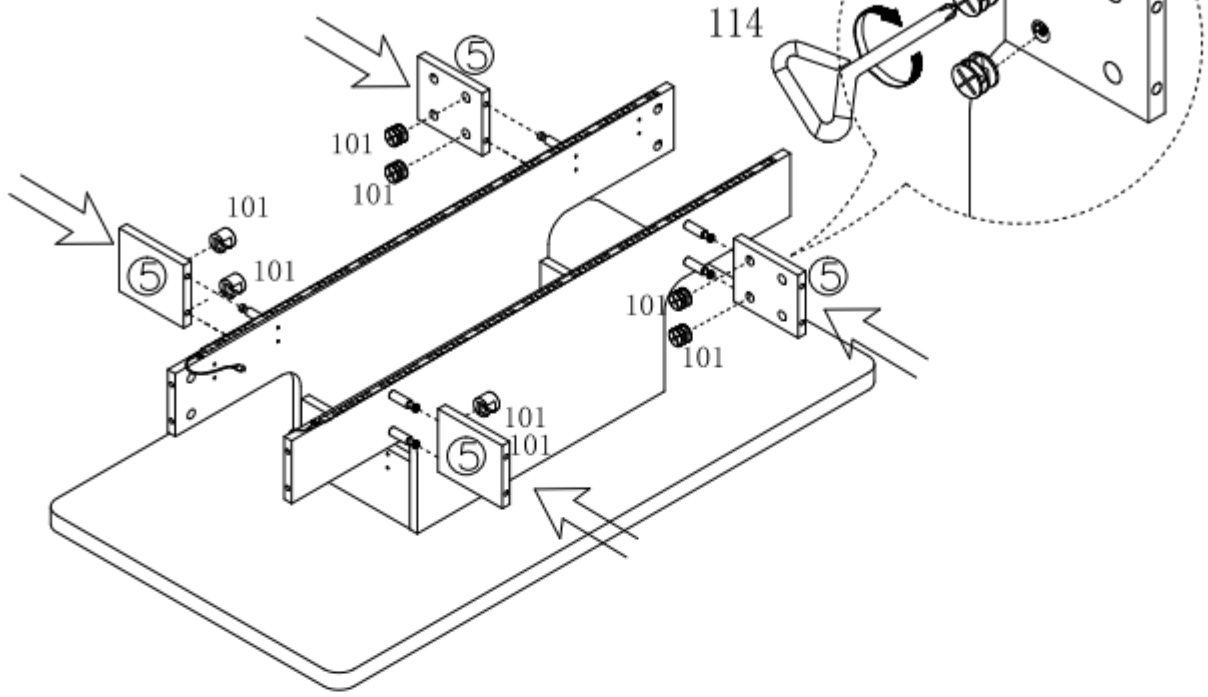
4

114x1	102x8
	
30x80mm	Φ 7x32.5mm

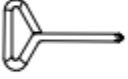




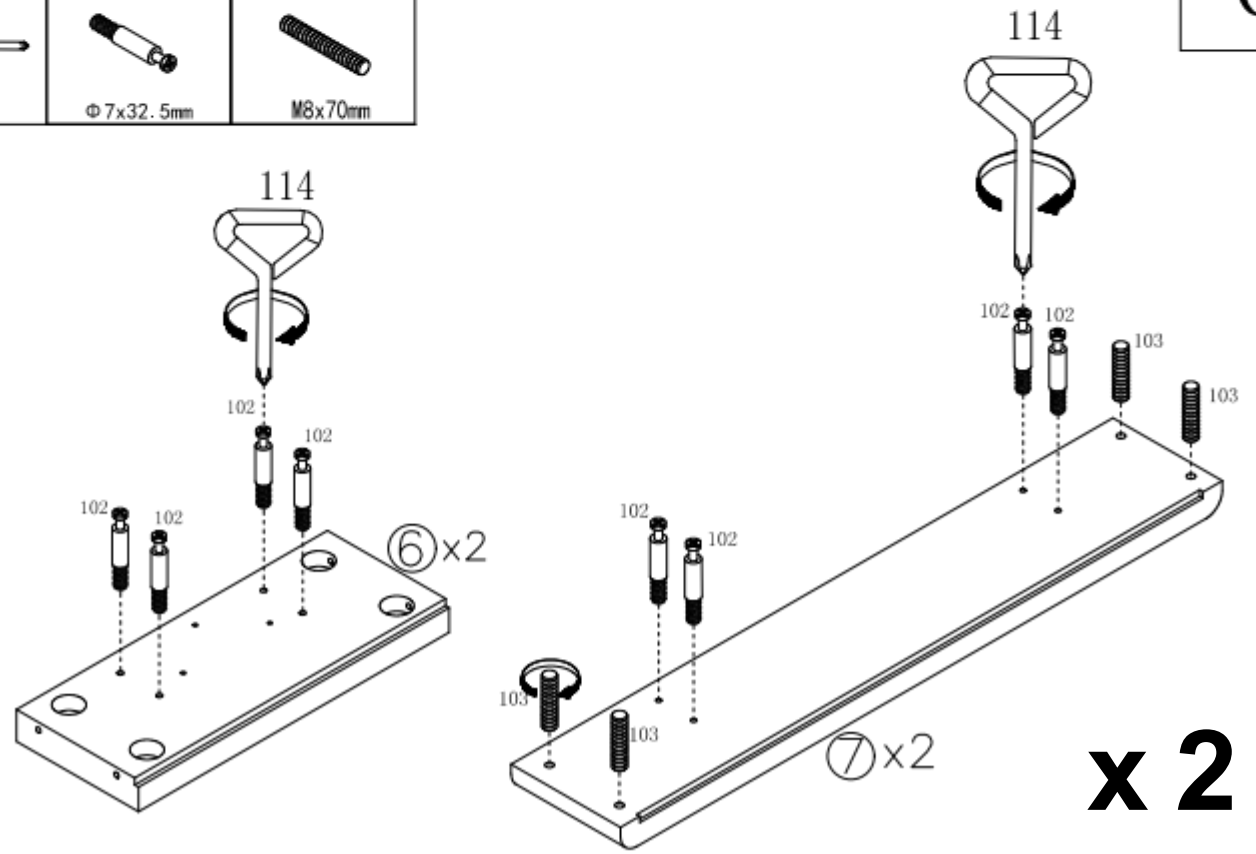
5

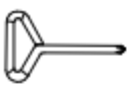

114x1	101x8
	
30x80mm	Φ 15x12mm

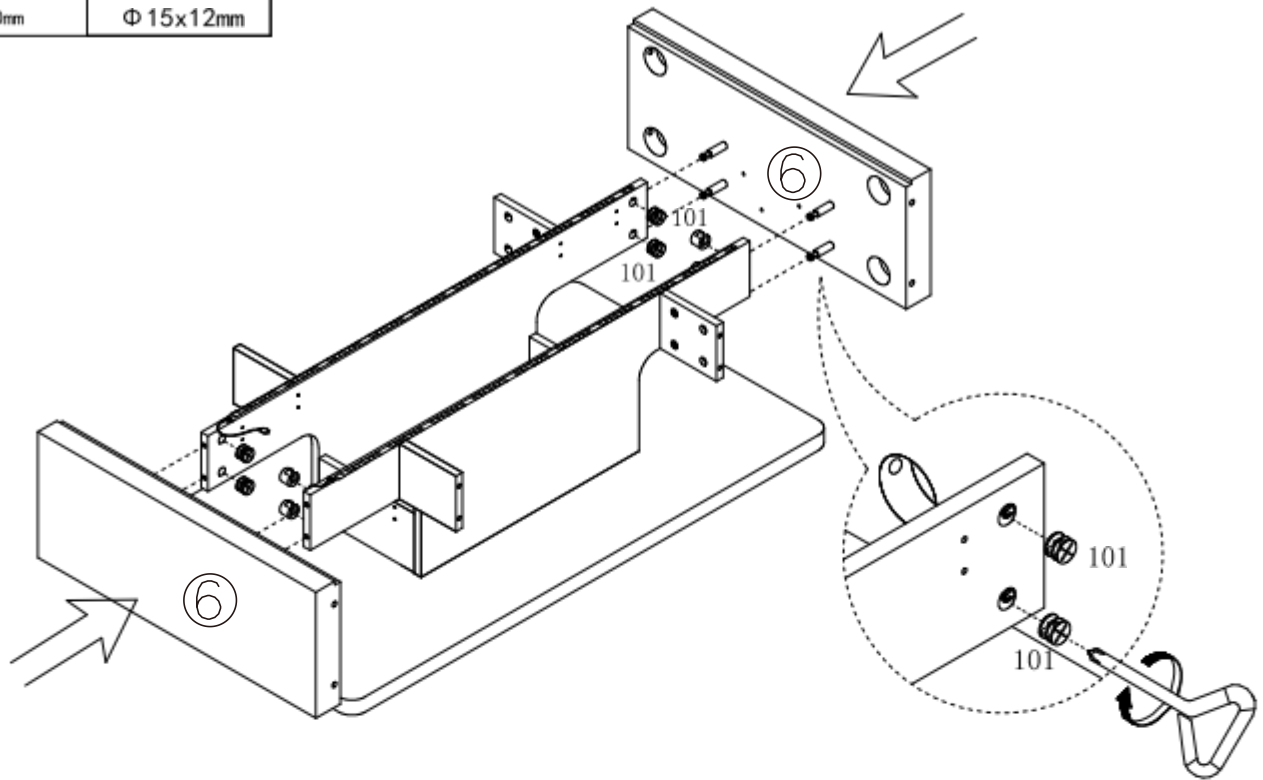


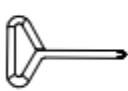


6

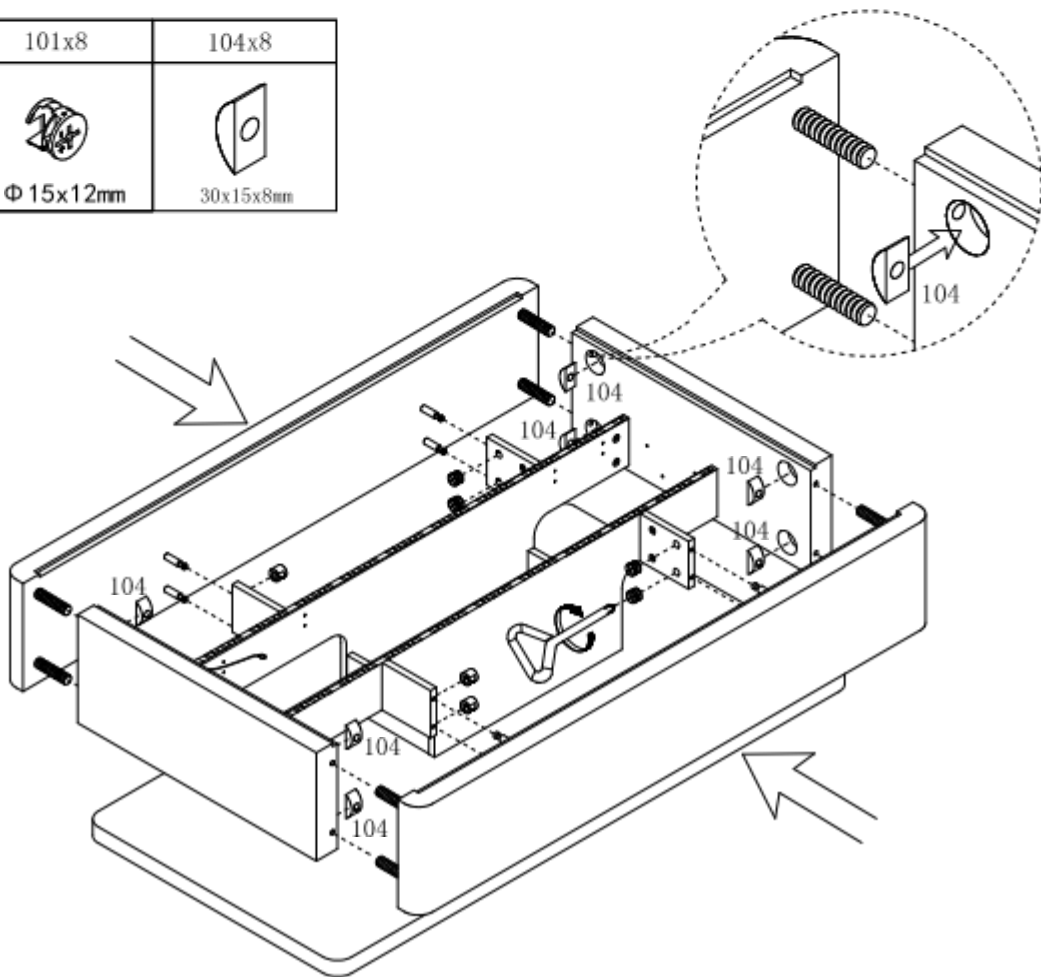
114x1	102x16	103x8
		
30x80mm	Φ 7x32.5mm	M8x70mm





114x1	101x8
	
30x80mm	Φ 15x12mm

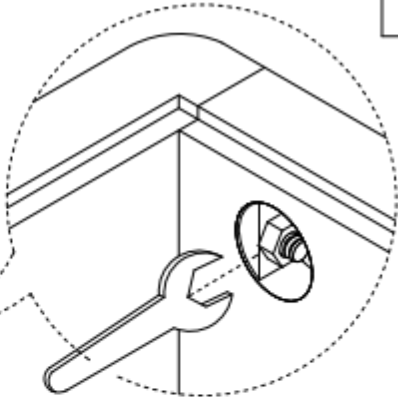
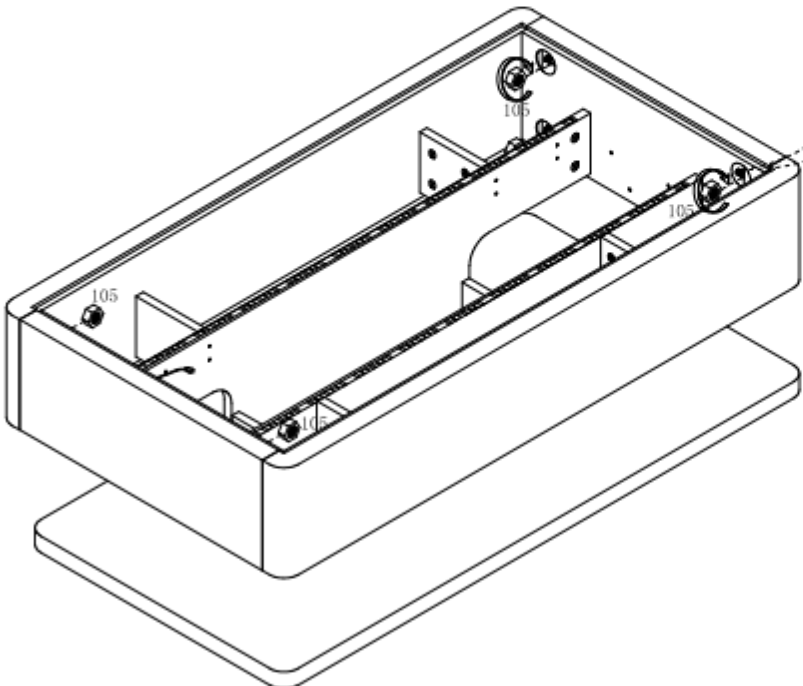


114x1	101x8	104x8
		
30x80mm	Φ 15x12mm	30x15x8mm



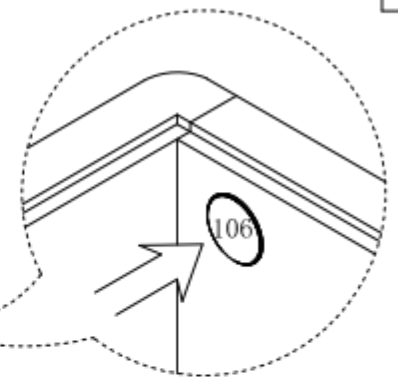
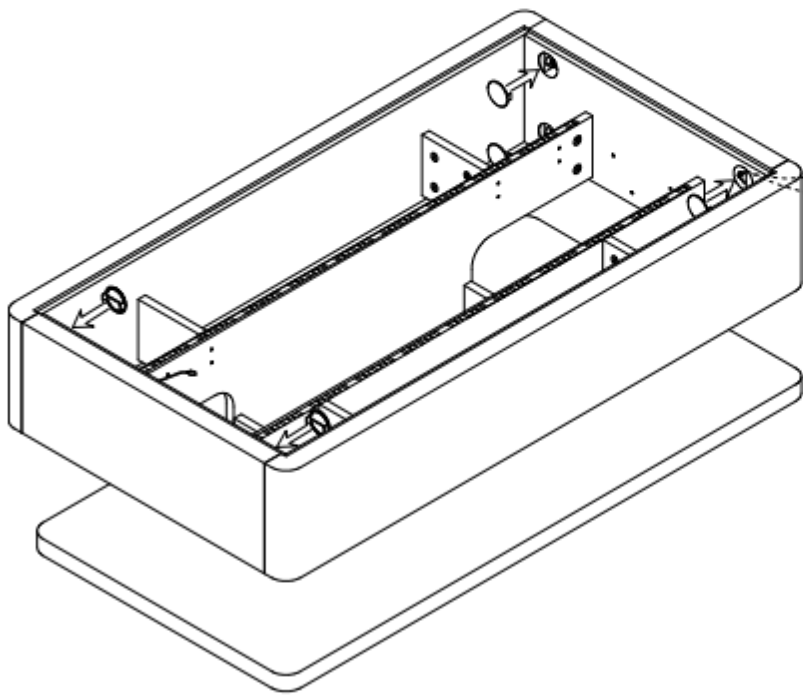
9

115x1	105x8
	 M8

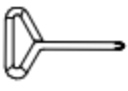

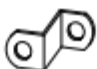



10

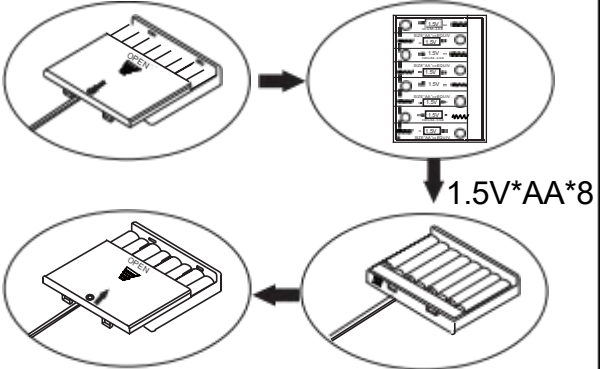
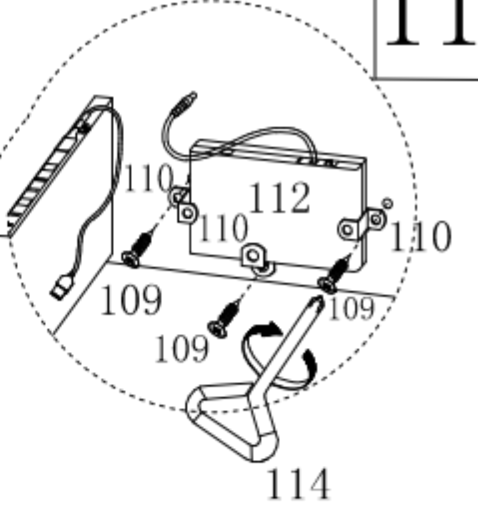
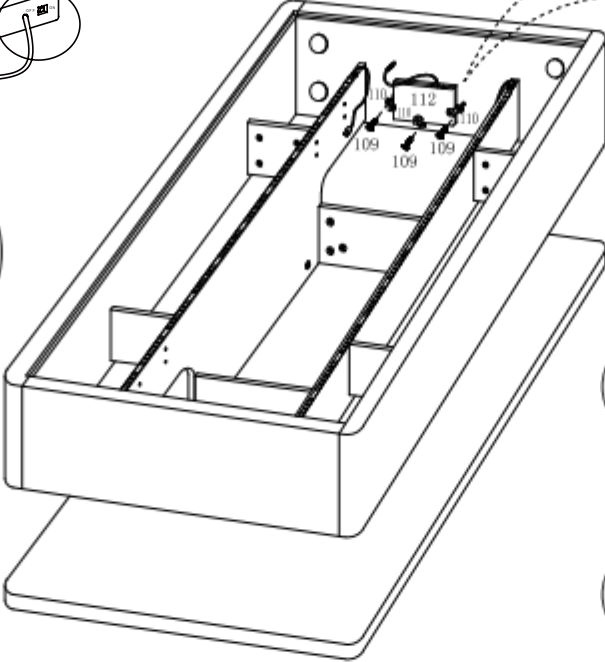
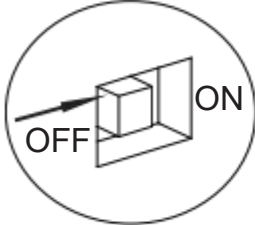
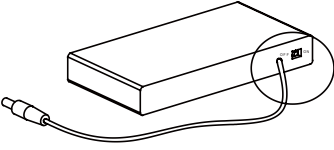
106x8
 Φ43x10mm



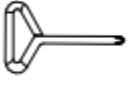





114x1	109x3	110x3	112x1
			
	Φ4x14mm	19x13x1mm	124x70x17mm

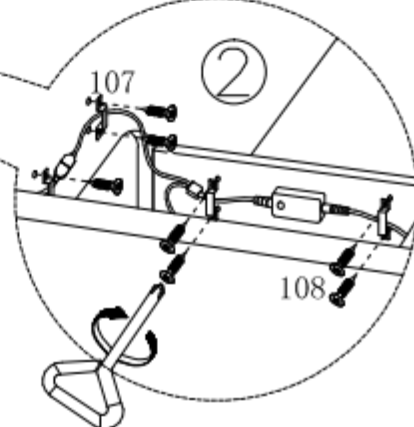
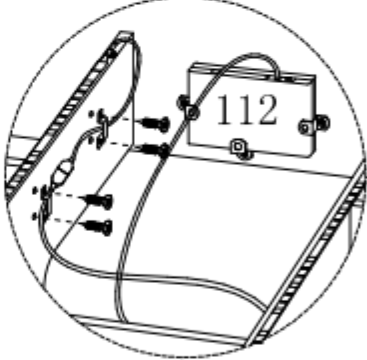
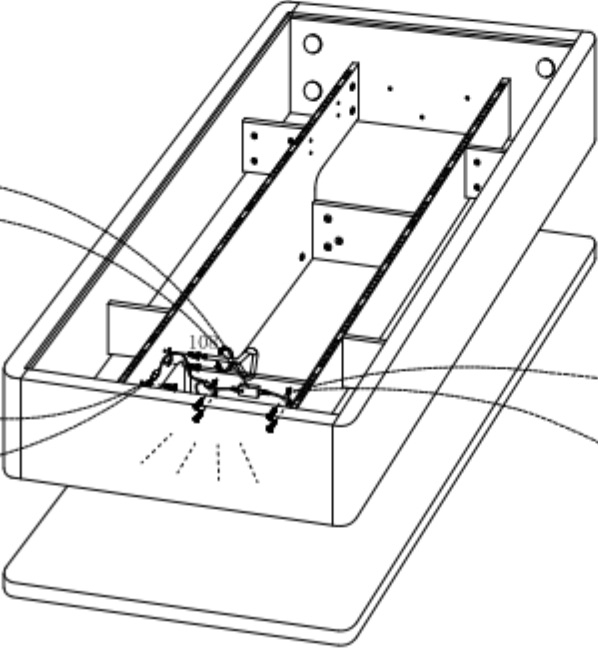
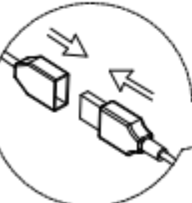
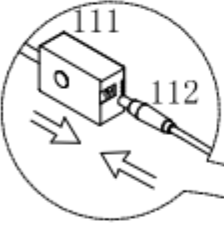
11



1.5V\*AA\*8

114x1	107x6	108x12	111x1
			
30x80mm	30x6x5mm	Φ3x12mm	40x21x12mm

12



2

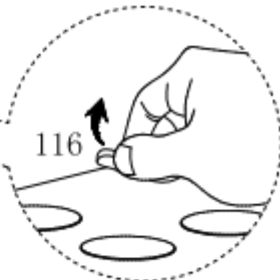
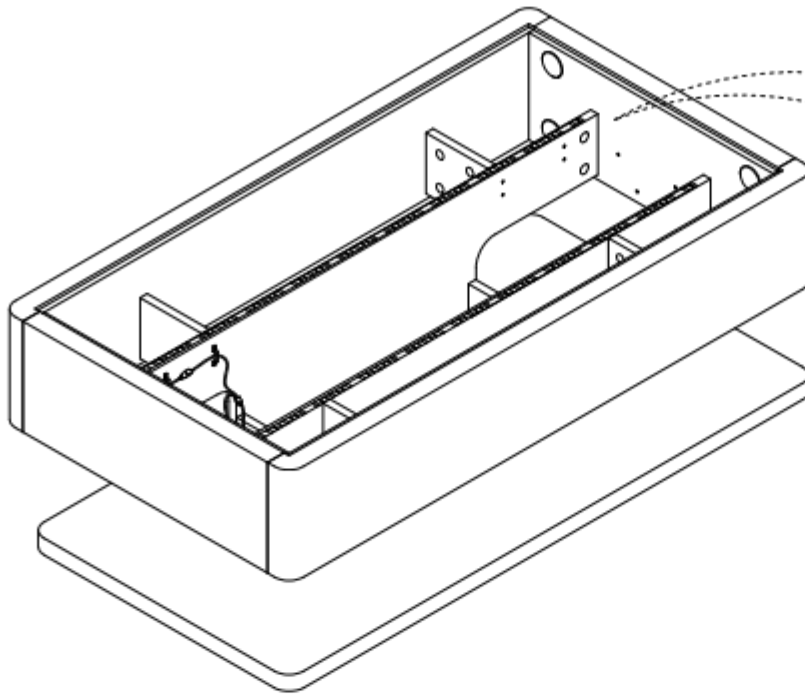
1

116x40

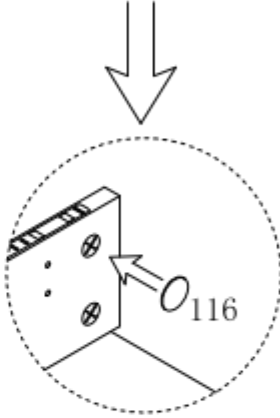


Φ20mm

13



1



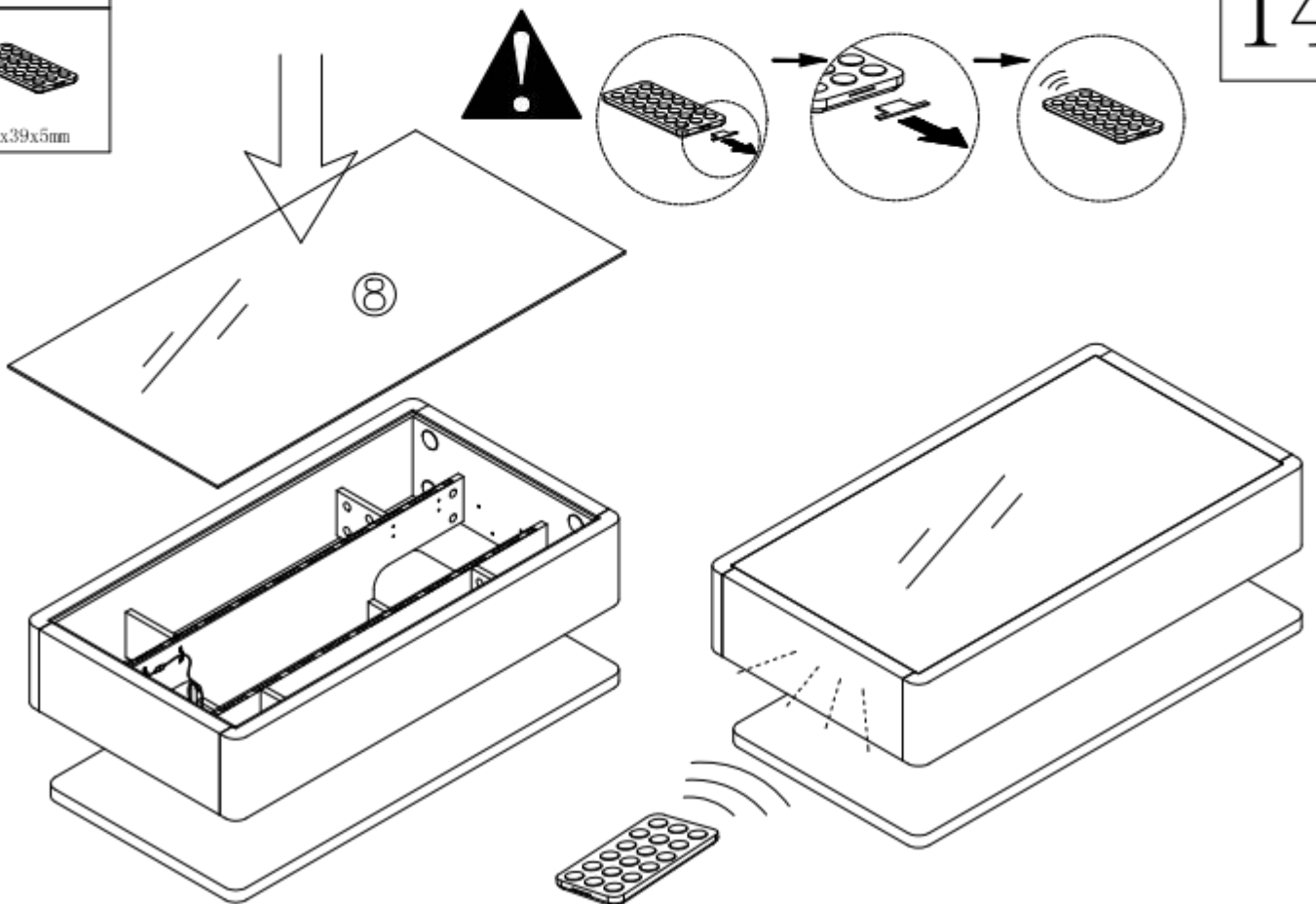
2

113x1



84x39x5mm

14



8