



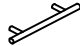







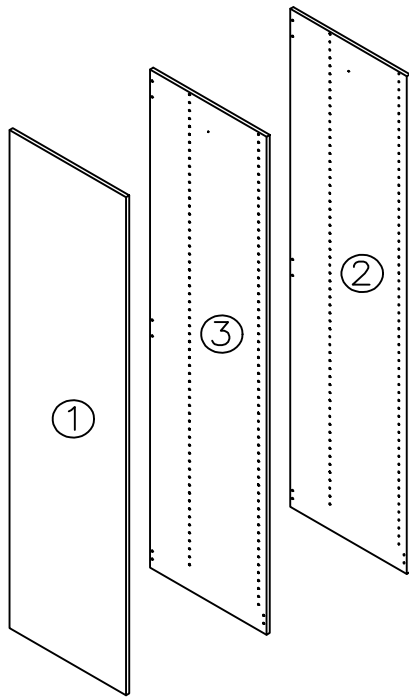


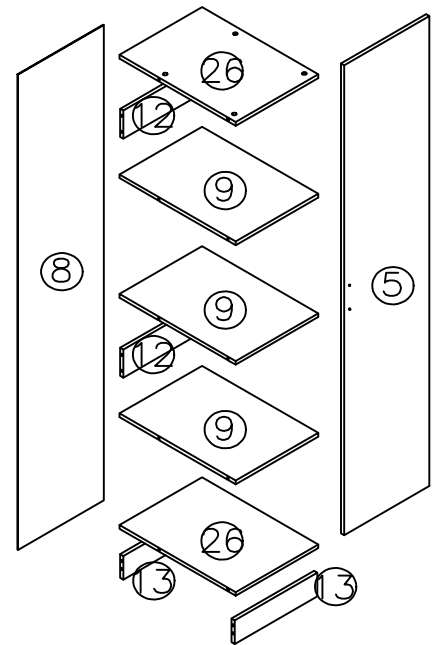
### 3 DOOR WARDROBE

A		Ø15x12	48	PCS	H		Ø3.5x14	48	PCS
B		Ø7x29	48	PCS	I		18MM	80	PCS
C		96MM	3	PCS	J		Ø14	8	PCS
D		M4x20	6	PCS	P			24	PCS
E		Ø6x9	24	PCS	Q		Ø19	24	PCS
G			12	PCS	S		1761MM	1	PCS

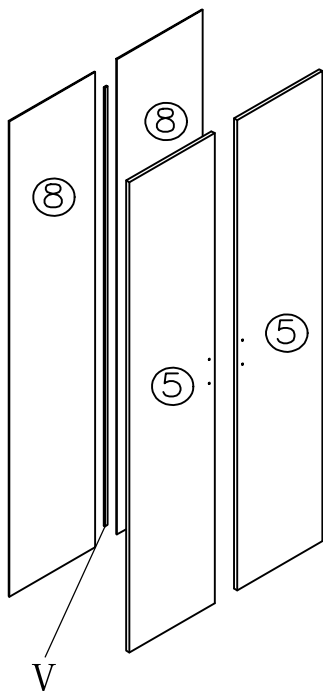
B. L/R panel+1partition



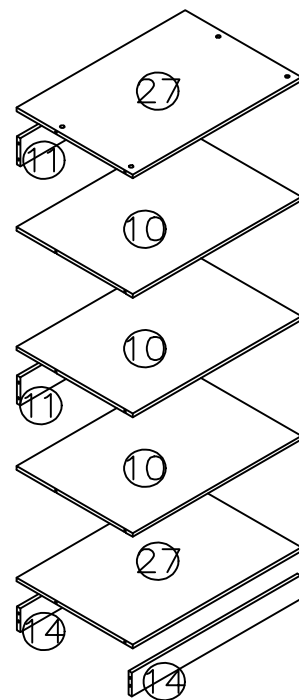
E. 1 Full door section



F. 2 Full door section



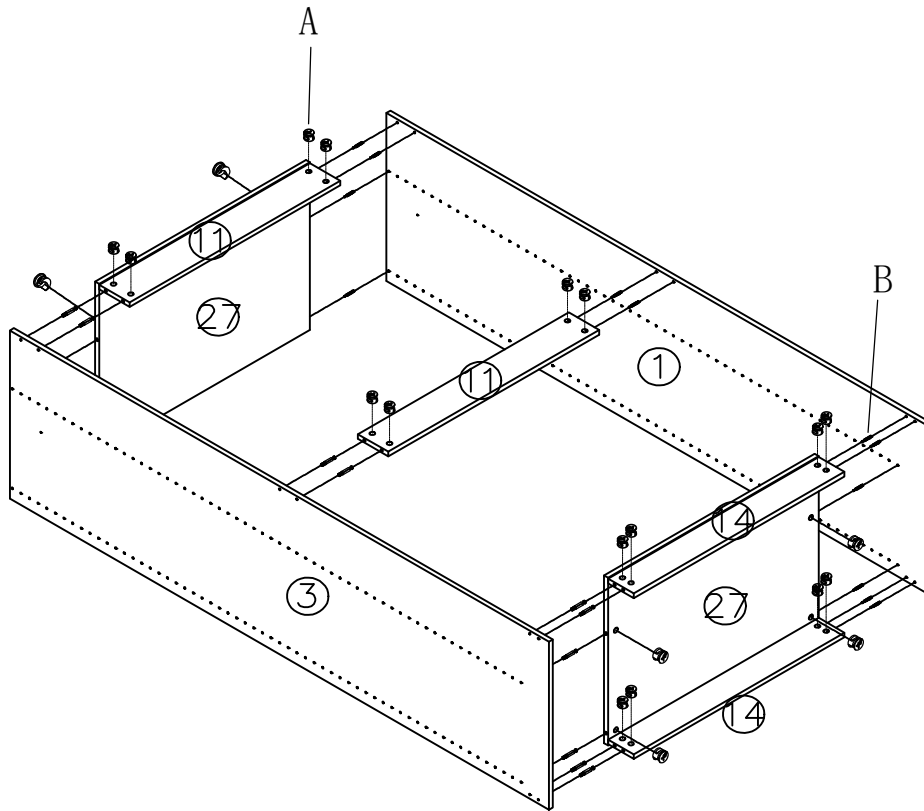
G. Inner parts for 2 doors



# STEP 1

Ax24

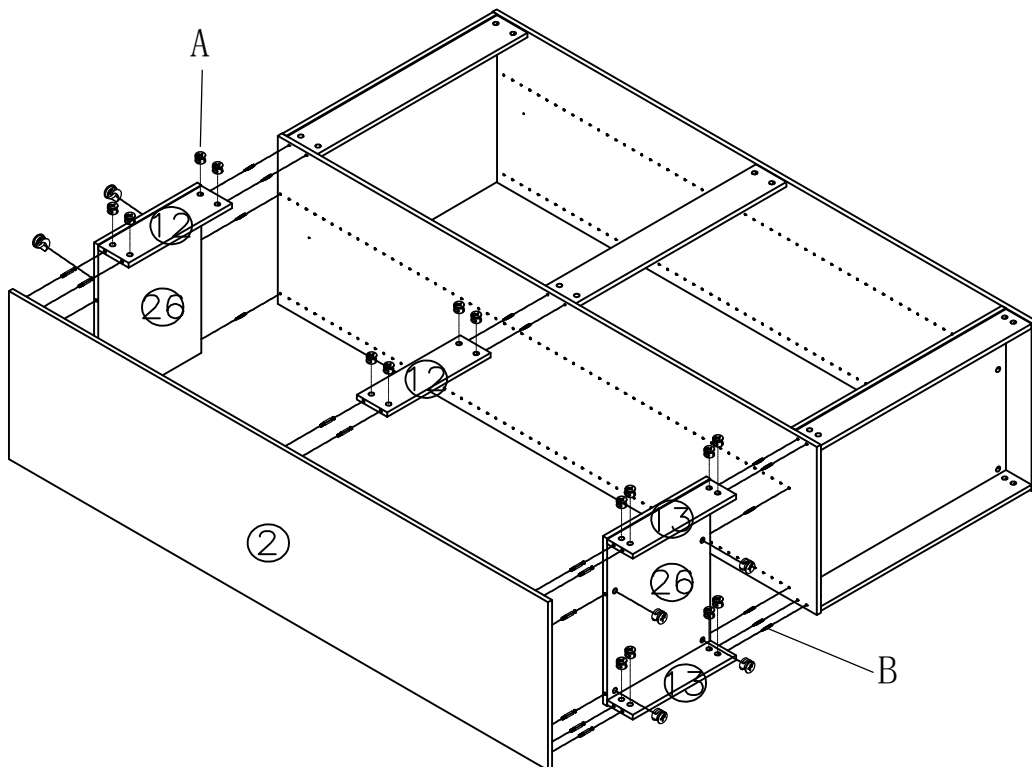
Bx24



# STEP 2

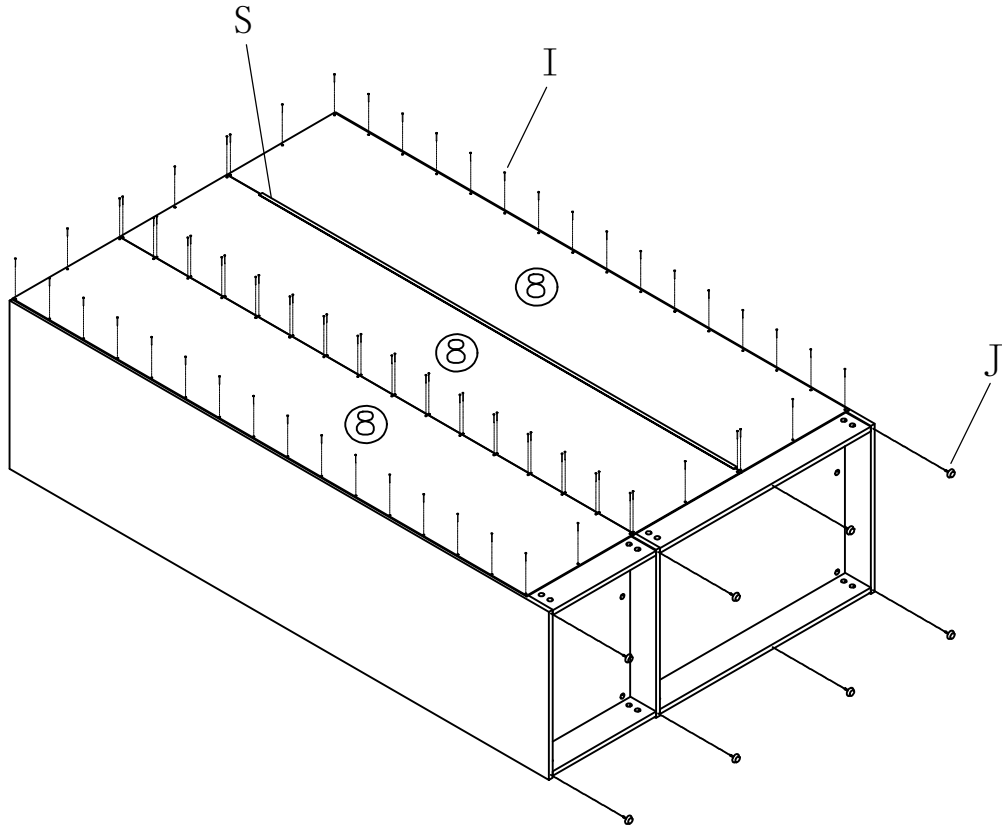
Ax24

Bx24



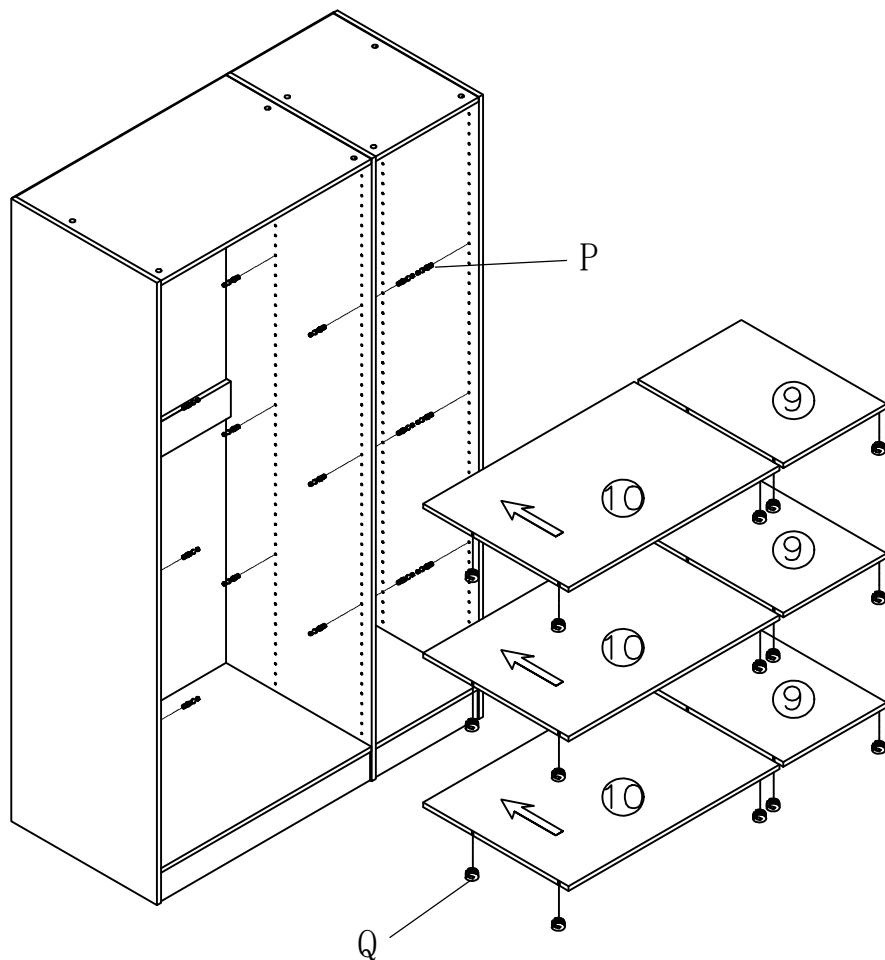
# STEP 3

Ix80  
Jx8  
Sx1



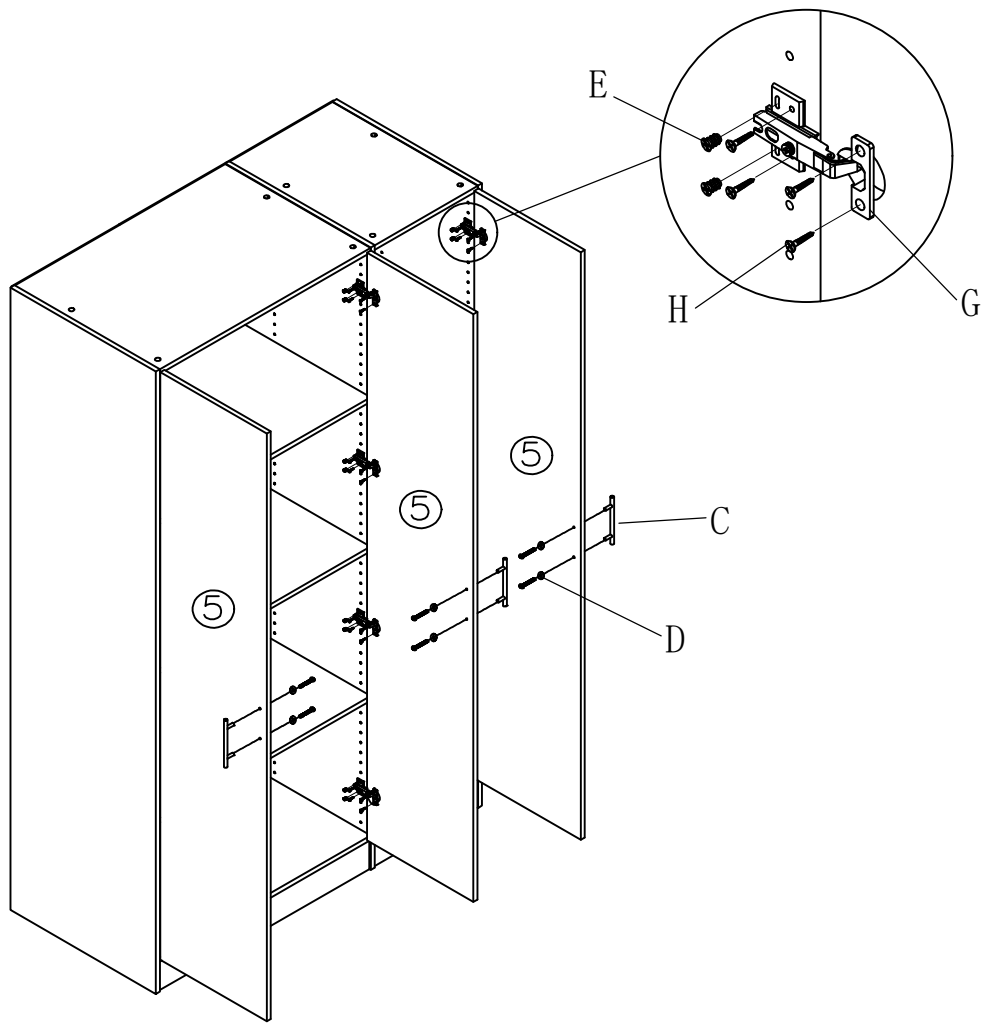
# STEP 4

Px24  
Qx24



# STEP 5

Cx3  
Dx6  
Ex24  
Gx12  
Hx48



# STEP 6

