
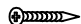










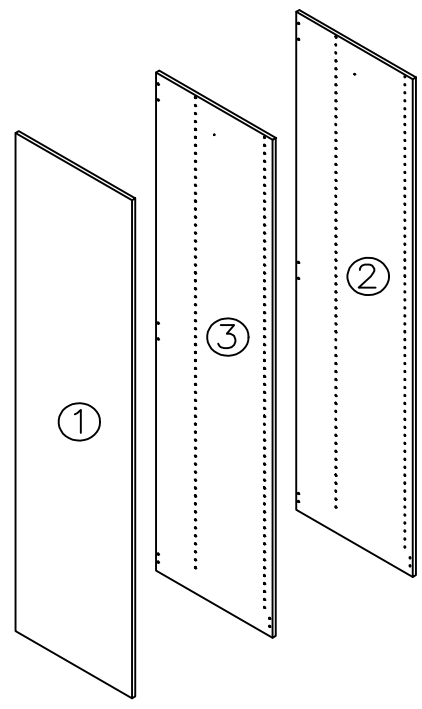


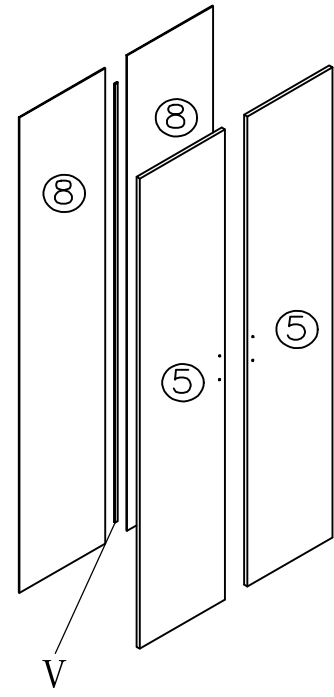
4 DOOR WARDROBE

A		Ø15x12	48	PCS	H		Ø3.5x14	64	PCS
B		Ø7x29	48	PCS	I		18MM	80	PCS
C		96MM	4	PCS	J		Ø14	6	PCS
D		M4x20	8	PCS	P			24	PCS
E		Ø6x9	32	PCS	Q		Ø19	24	PCS
G			16	PCS	S		1761MM	2	PCS

B. L/R panel+1partition

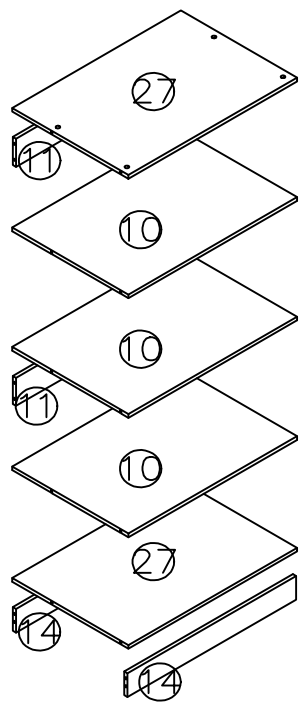


F.2 Full door section



x2

G. Inner parts for 2 doors

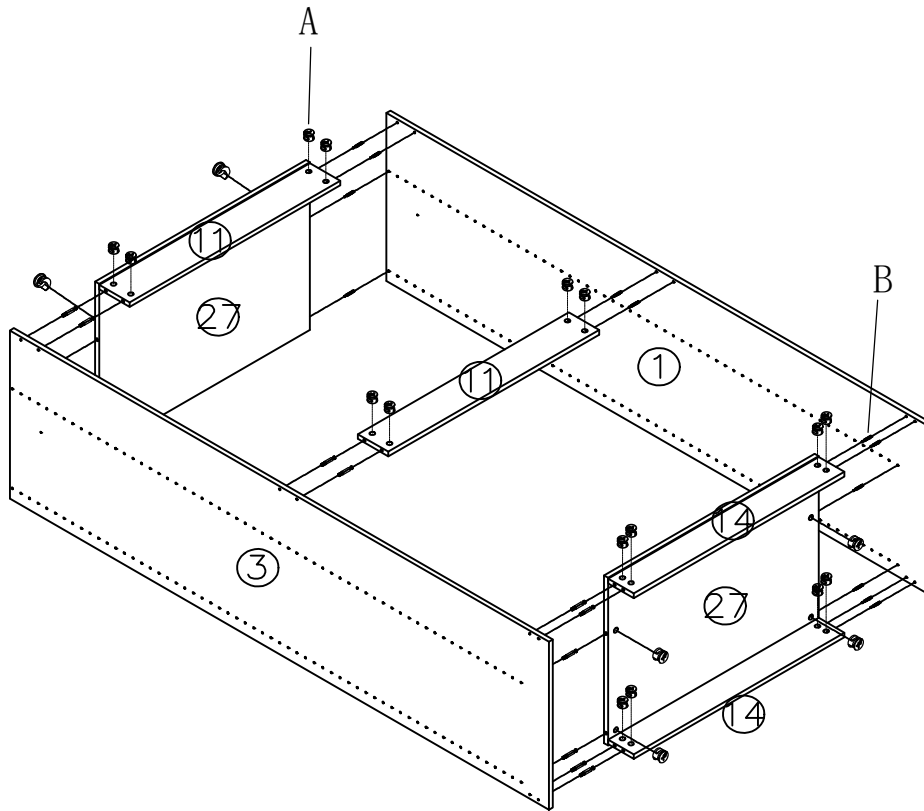


x2

STEP 1

Ax24

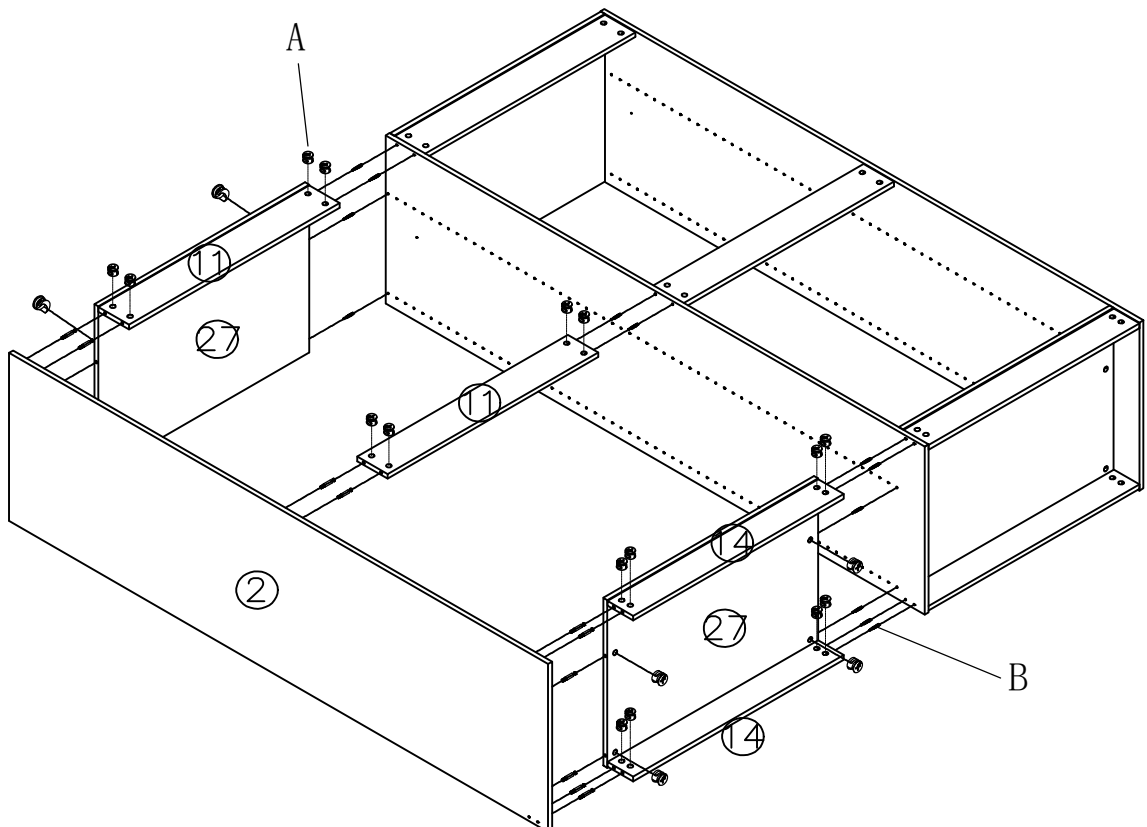
Bx24



STEP 2

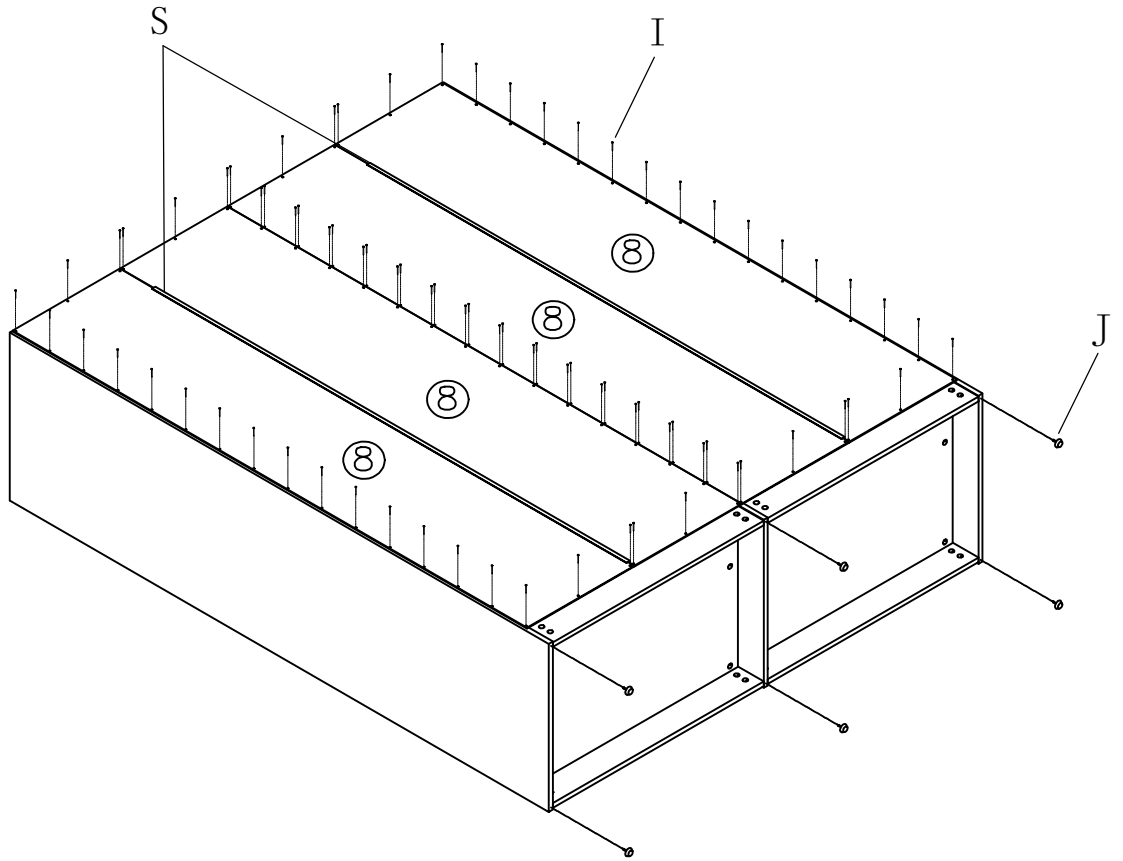
Ax24

Bx24



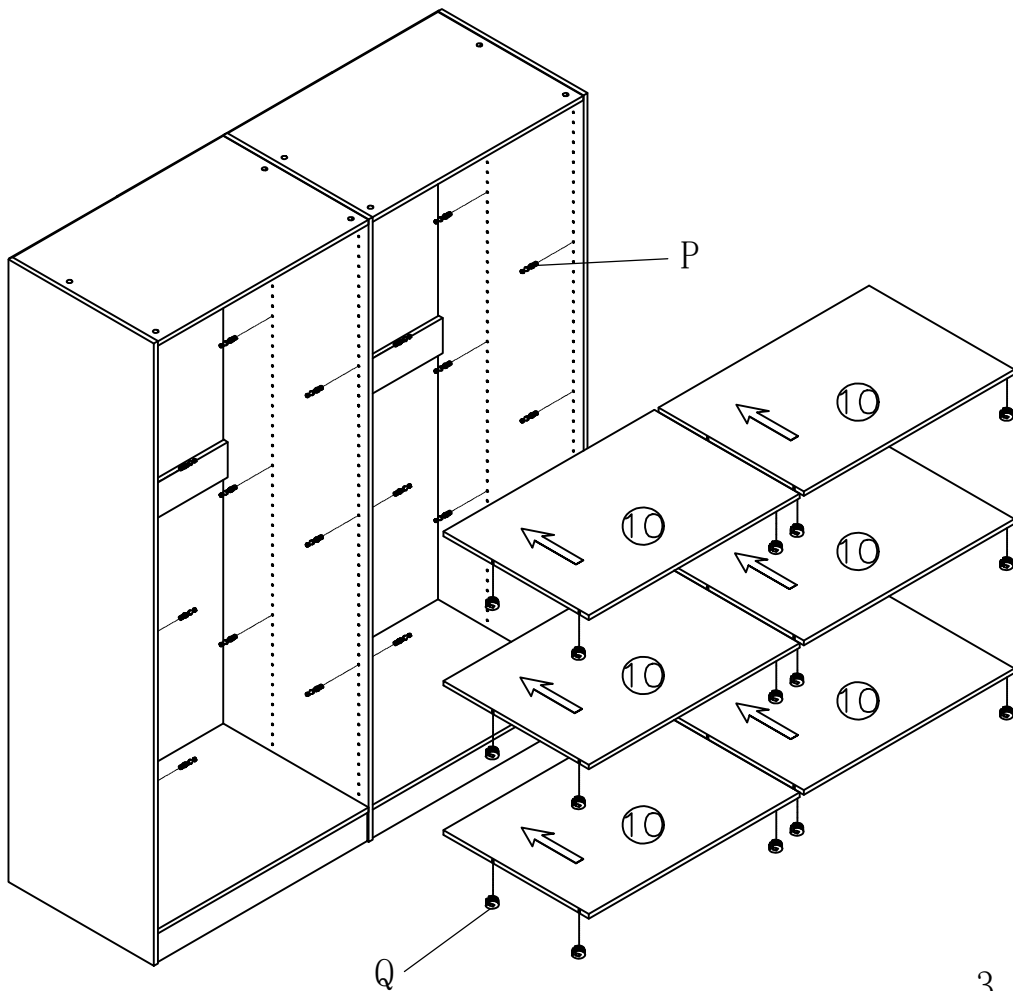
STEP 3

Ix80
Jx6
Sx2



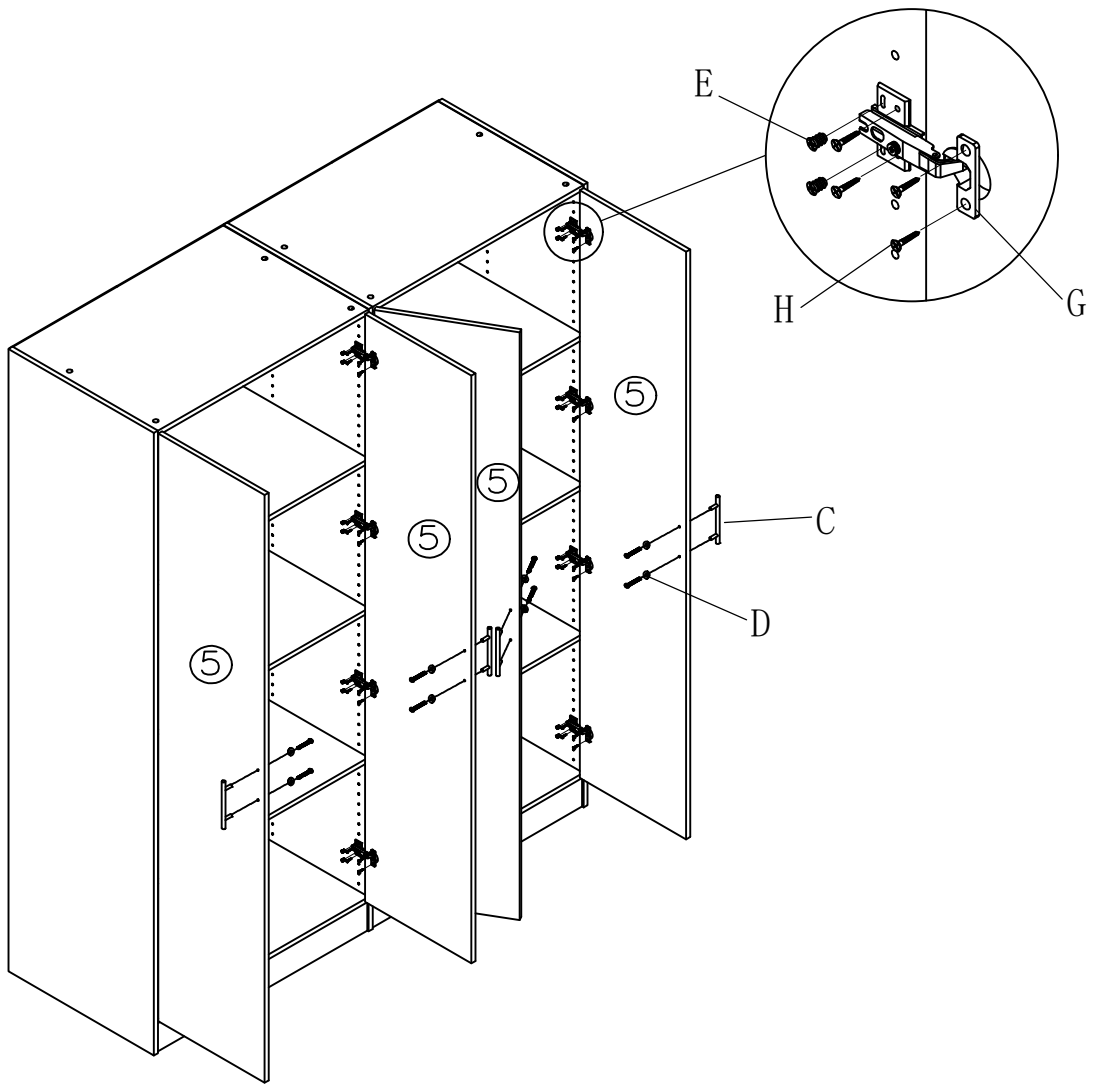
STEP 4

Px24
Qx24



STEP 5

Cx4
Dx8
Ex32
Gx16
Hx64



STEP 6

