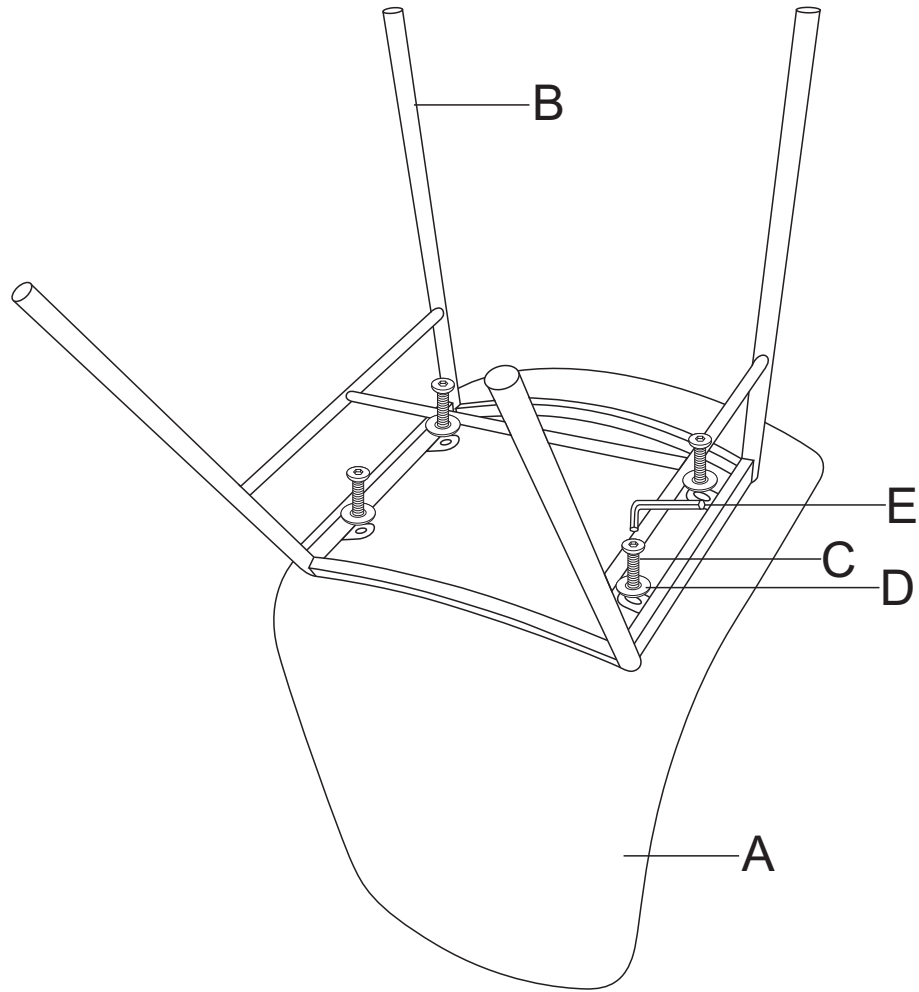
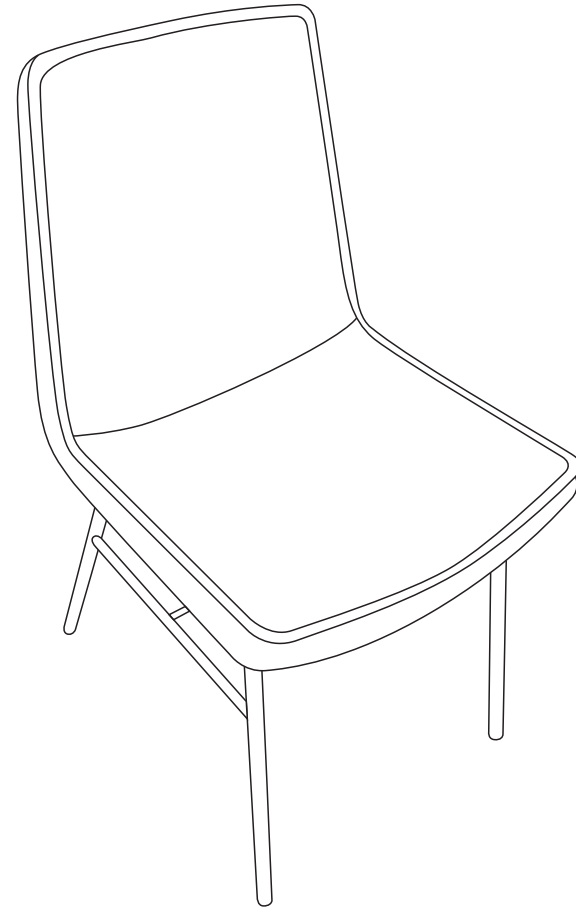


# ASSEMBLY INSTRUCTION

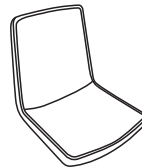
1



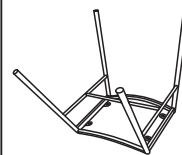
2



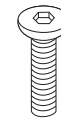
Ax1



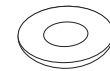
Bx1



Cx4



Dx4



Ex1

