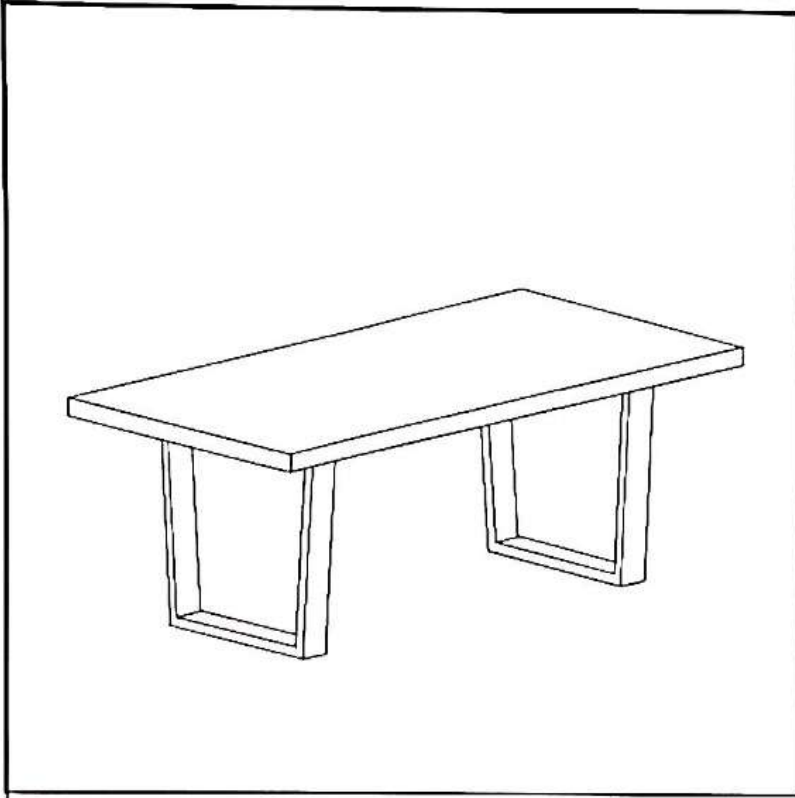


ASSEMBLY INSTRUCTION



PART LIST

A*8pcs



M8*35MM

B*8pcs



M8*18MM

C*1pcs



M5

D*4pcs

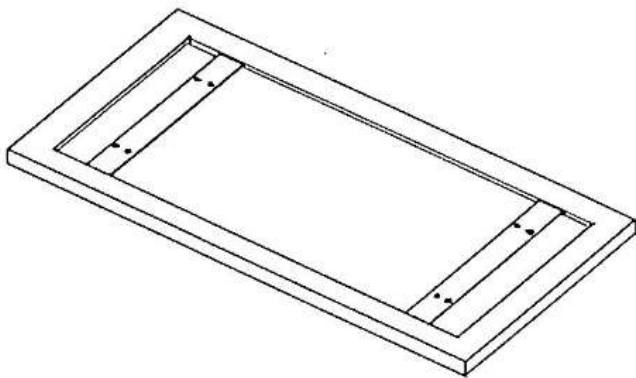


40*40MM

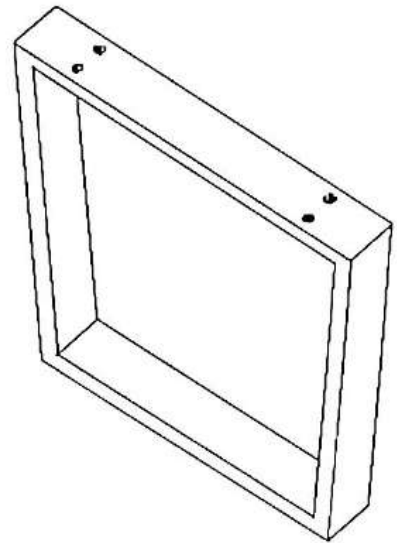
E*8pcs



M8



P1x1pc



P2x2pc

ASSEMBLY INSTRUCTION

1

