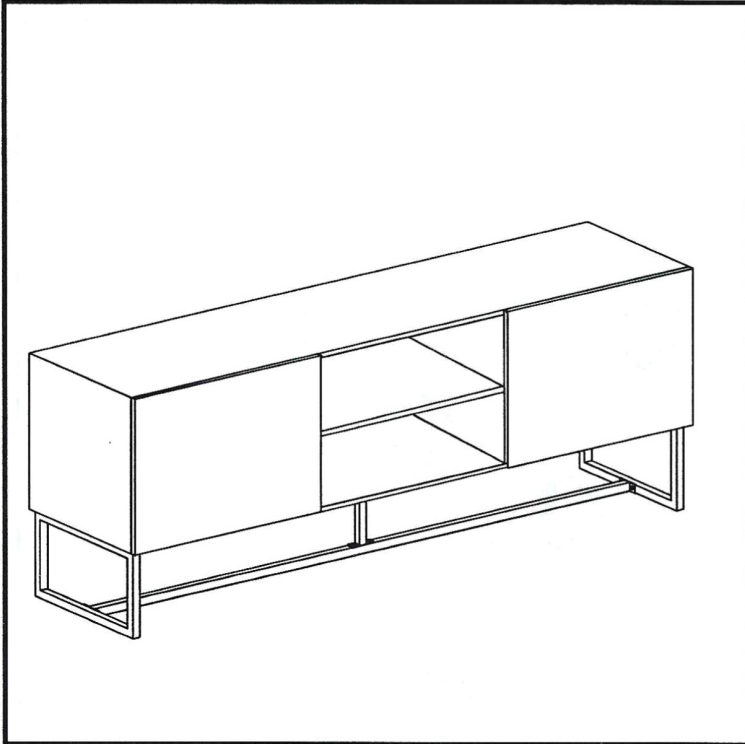


ASSEMBLY INSTRUCTION



PART LIST

A*8pcs



M6*15MM

B*4pcs



M6*18MM

C*4pcs



M6*35MM

D*5pcs

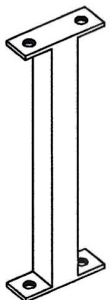


18*40

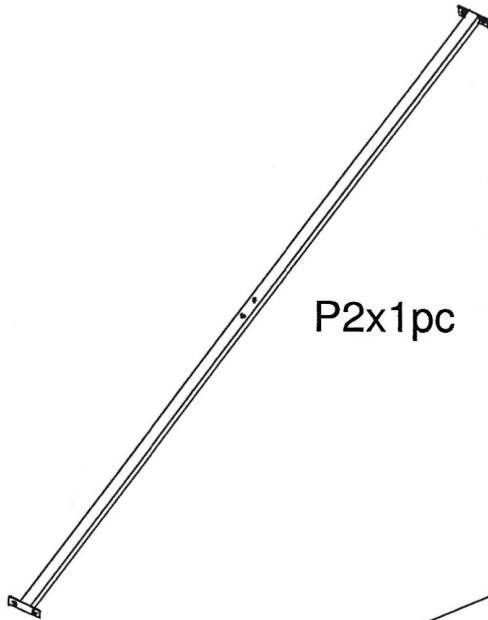
E*1pcs



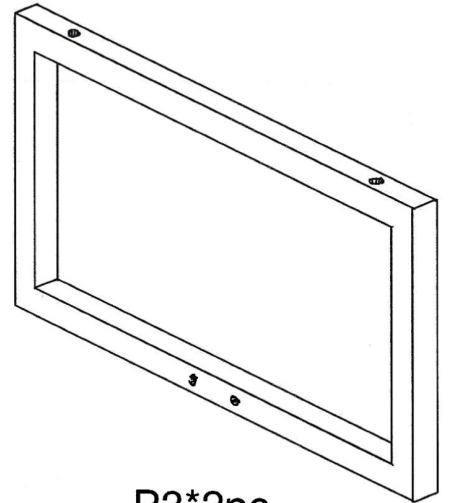
M4



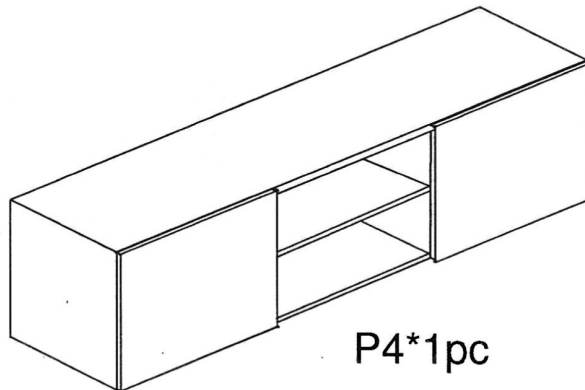
P1x1pc



P2x1pc



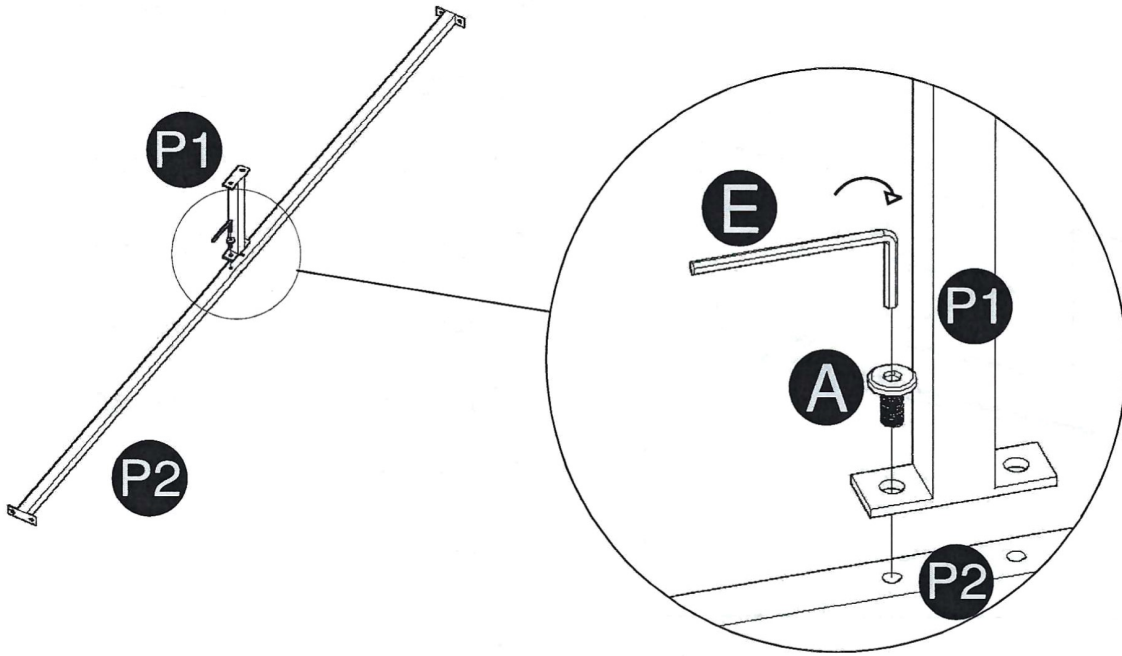
P3*2pc



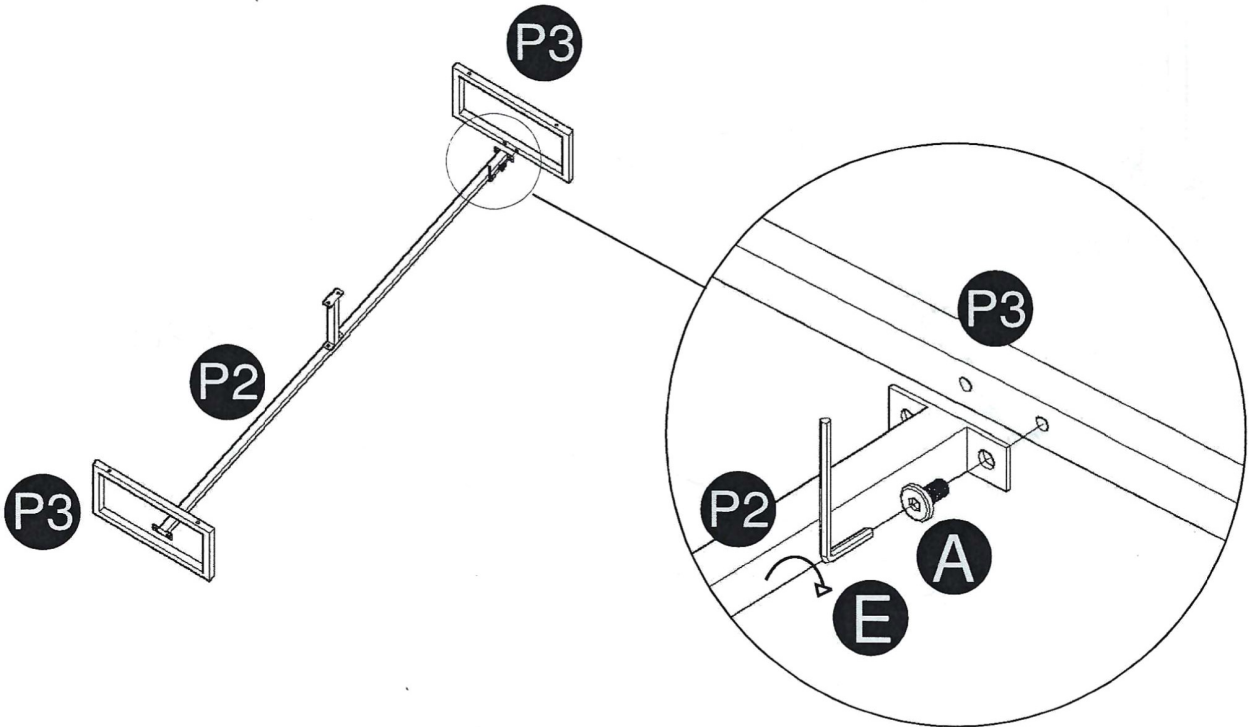
P4*1pc

ASSEMBLY INSTRUCTION

1

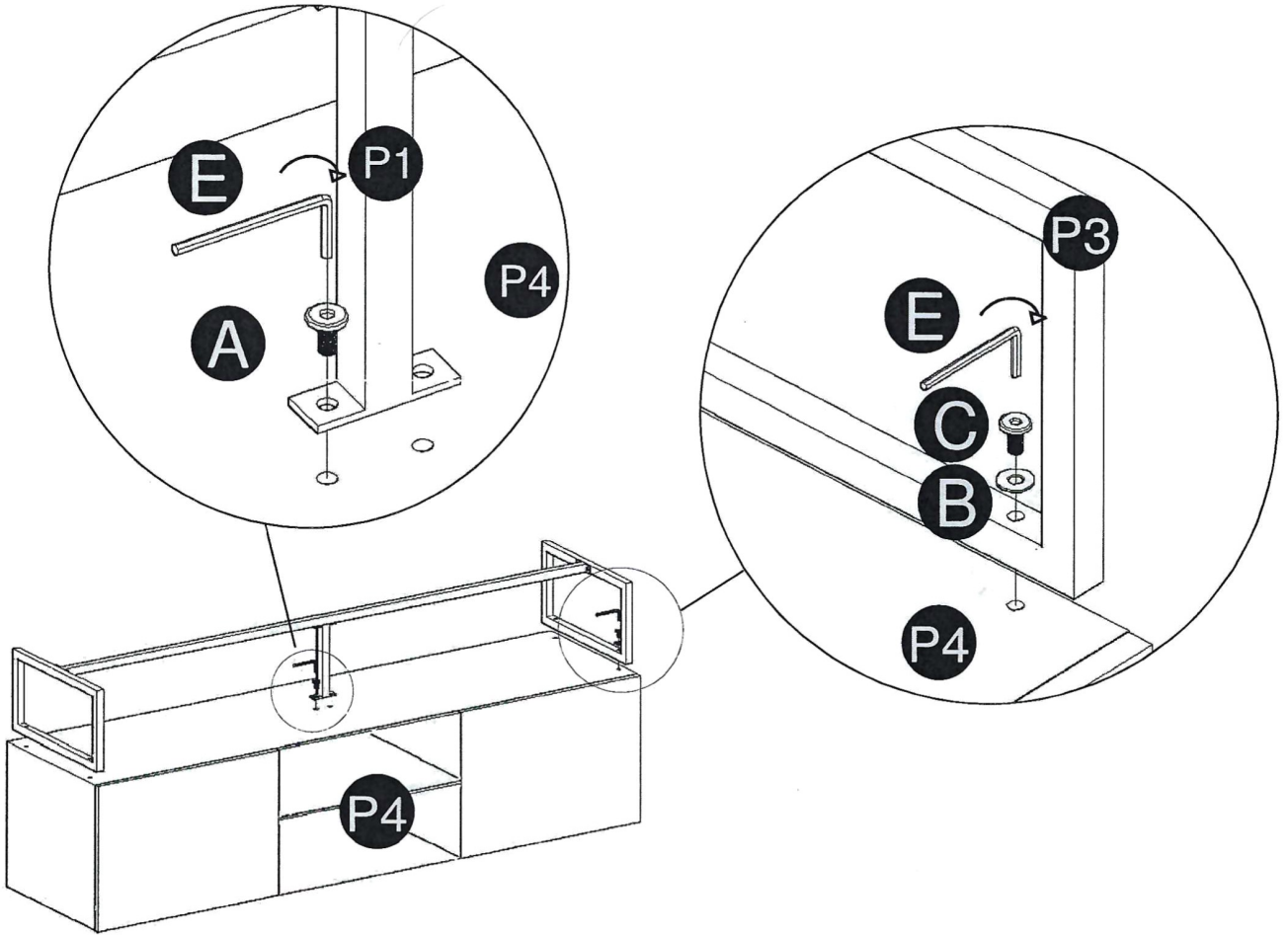


2



ASSEMBLY INSTRUCTION

3



4

