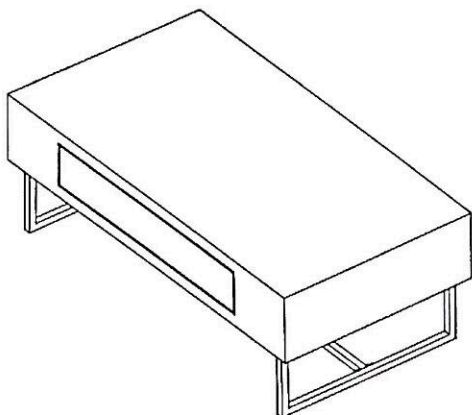
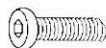


ASSEMBLY INSTRUCTION



PART LIST

A*6pcs



M6*35MM

B*6pcs



M6*18MM

C*1pcs



M4

D*4pcs



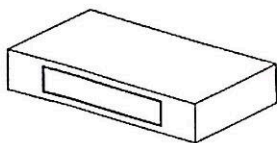
18*40MM

E*4pcs

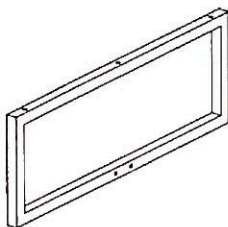


M6*18MM

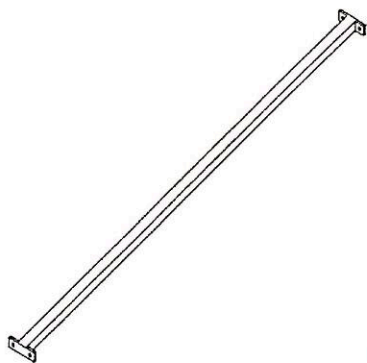
F*1pcs



P1x1pc



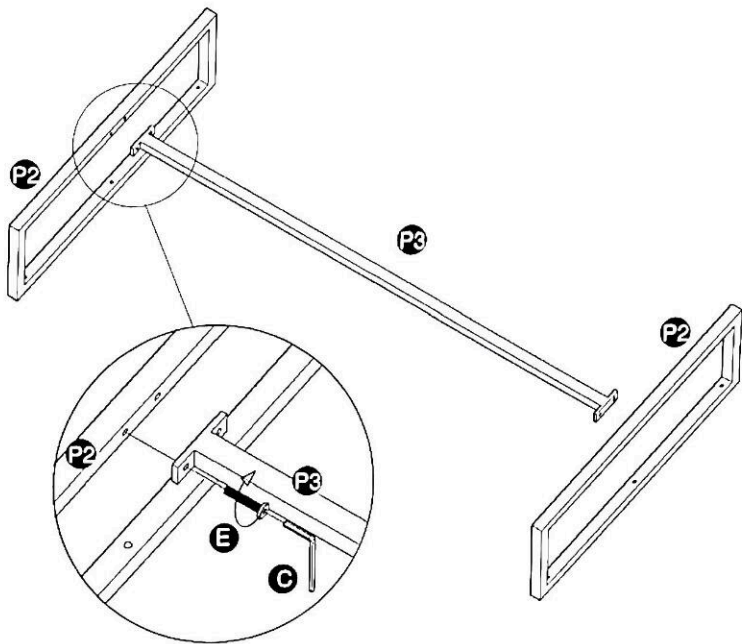
P2x2pc



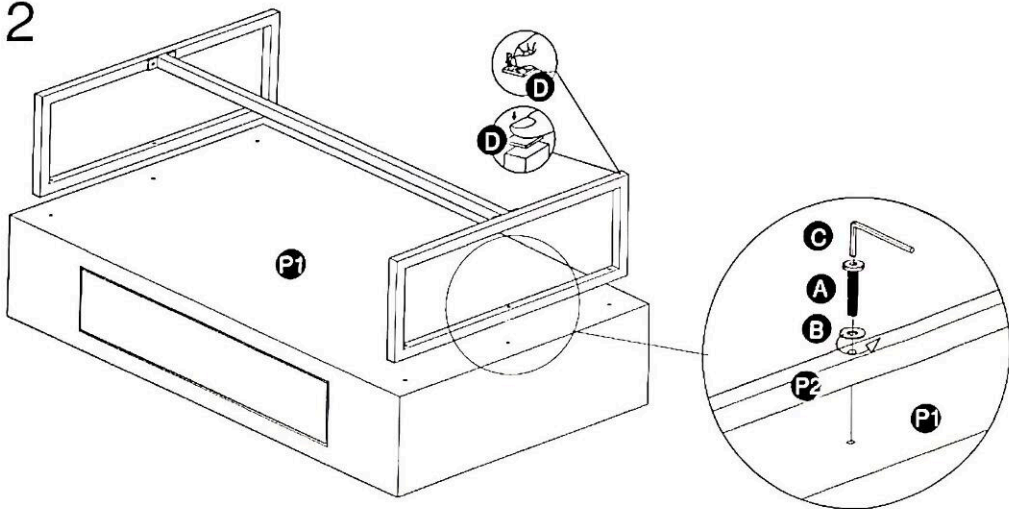
P3x1pc

ASSEMBLY INSTRUCTION

1

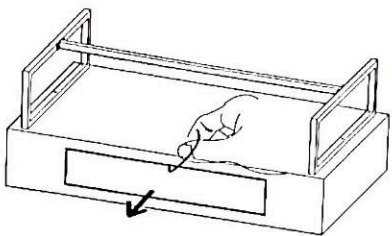


2

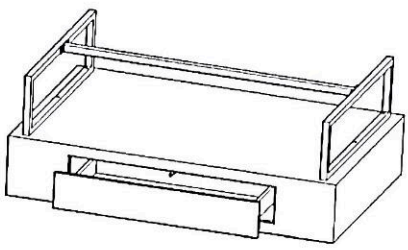


ASSEMBLY INSTRUCTION

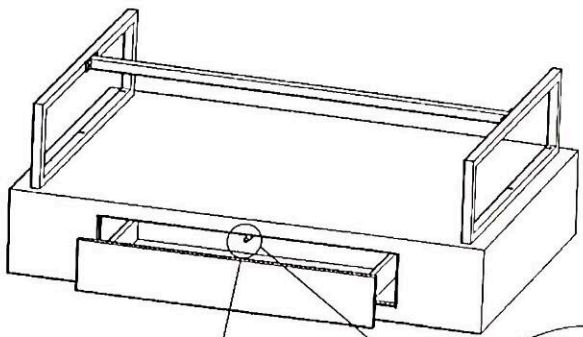
3



pull red cord to open drawer



4



insert push **F** and adjust

