





ASSEMBLY INSTRUCTIONS FOR CHEST & NIGHTSTAND


MODEL : C8309A-035
C8309A-025

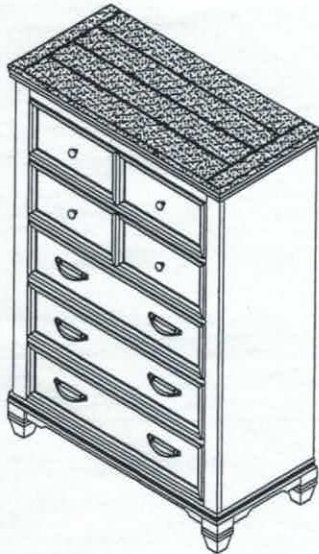
REVISION : A

HARDWARE

- | | | | |
|----|---|--------------------------|-------|
| 1. |  | JCBC Screw M6 x 50mm | 4 pcs |
| 2. |  | Spring Washer Ø1/4" | 4 pcs |
| 3. |  | Flat Washer Ø1/4" x 20mm | 4 pcs |
| 4. |  | L Key M4 | 1 pc |

COMPONENT LIST

- | | | | |
|----|---|------|-------|
| A. |  | Feet | 4 pcs |
|----|---|------|-------|



CHEST

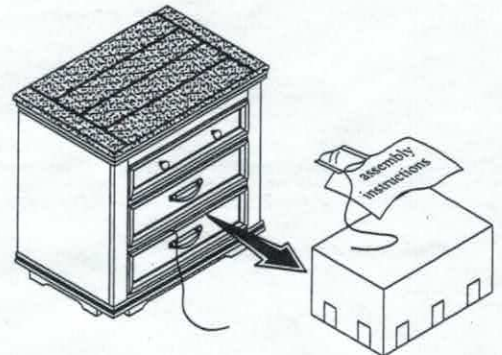


NIGHTSTAND

ASSEMBLY COMPLETED

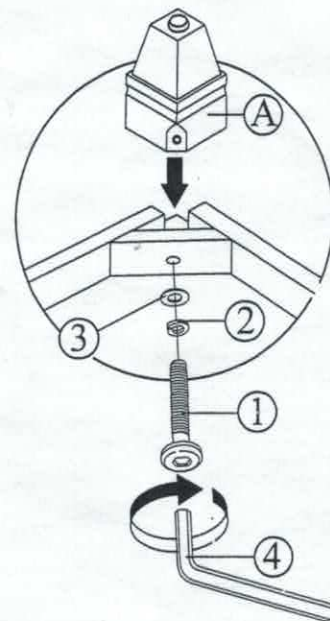
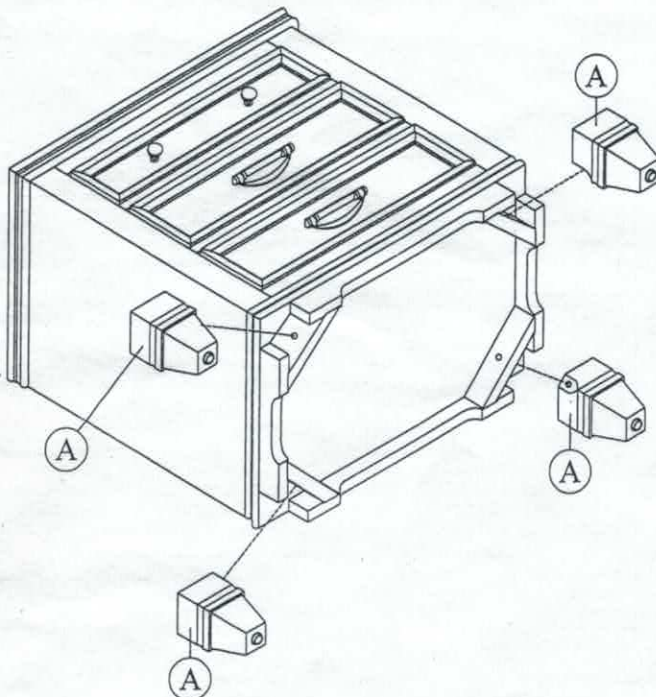
STEP 1

Take out assembly instructions sheet, hardware pack and feet packaging from the drawer which marked with the rope



STEP 2

Align feet (A) to casegoods. Fasten the feet using screw (1), lock washer (2) and flat washer (3) and fully tighten with Allen key (4).



**NOTE : MUST TIGHTEN SCREWS PERIODICALLY WITH USE SCREW WILL BECOME LOOSE.
CHECK TIGHTNESS OF ALL SCREW EVERY 6-8 WEEKS.**