
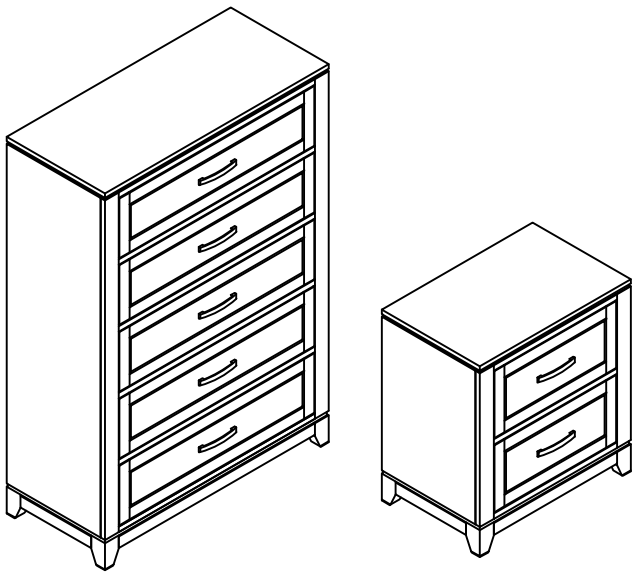


ASSEMBLY INSTRUCTIONS FOR NIGHT STAND, CHEST & DRESSER

MODEL : FBNSTA-217A FBCHTA-217A	HARDWARE LIST  JCBC Screw M6 x 50mm 4 pcs  Spring Washer Ø1/4" 4 pcs  Flat Washer Ø1/4" x 20mm 4 pcs  L Key M4 x 100mm 1 pc	COMPONENT LIST  Leg 4 pcs
REVISION : A		

Note: Take out assembly instructions sheet, hardware pack and feet packaging from the drawer which marked with the rope.

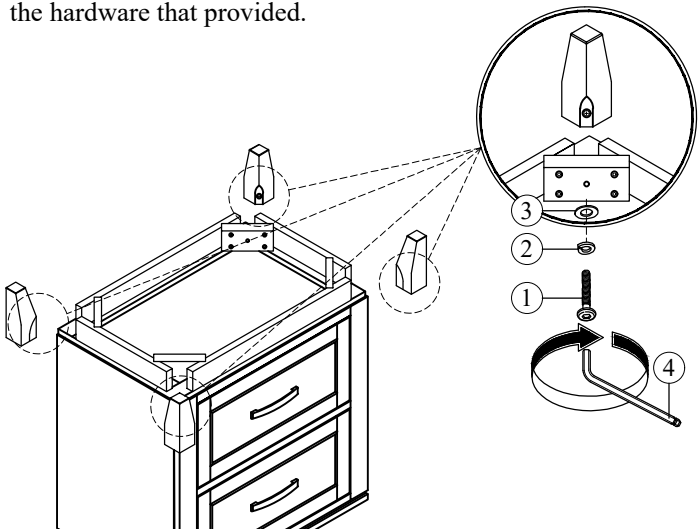


CHEST NIGHTSTAND

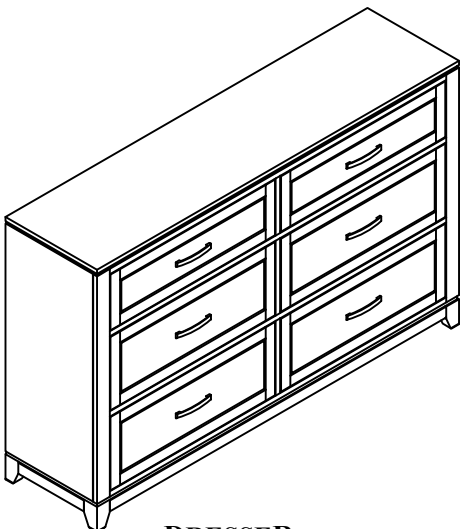
ASSEMBLY COMPLETED

STEP 1
Turn over the top surface of the casegoods on the floor.
* Please cover the floor with a thick cloth first.

STEP 2
Fasten the legs to casegoods according to the position with use the hardware that provided.



MODEL : FBDSRA-217A	HARDWARE LIST  JCBC Screw M6 x 50mm 4 pcs  Spring Washer Ø1/4" 4 pcs  Flat Washer Ø1/4" x 20mm 4 pcs  L Key M4 x 100mm 1 pc	COMPONENT LIST  Leg 4 pcs  Support Leg 1 pc
REVISION : A		



DRESSER

ASSEMBLY COMPLETED

STEP 1
Turn over the top surface of the dresser on the floor.
* Please cover the floor with a thick cloth first.

STEP 2
Fasten the legs to dresser according to the position with use the hardware that provided.

STEP 3
Align and tighten support leg with leveler to bottom panel of dresser.

