

ASSEMBLY INSTRUCTIONS

DESCRIPTION : QUEEN HEADBOARD & STORAGE FOOTBOARD
(WITH 13 SLATS) / SIDERAIL WITH CENTER RAIL

MODEL : FBQHFR-217A + FBQSRR-217A
+ FBQDWR-217A

NOTE :

MUST TIGHTEN SCREWS PERIODICALLY WITH USE SCREW WILL
BECOME LOOSE. CHECK TIGHTNESS OF ALL SCREW EVERY 6-8 WEEKS.

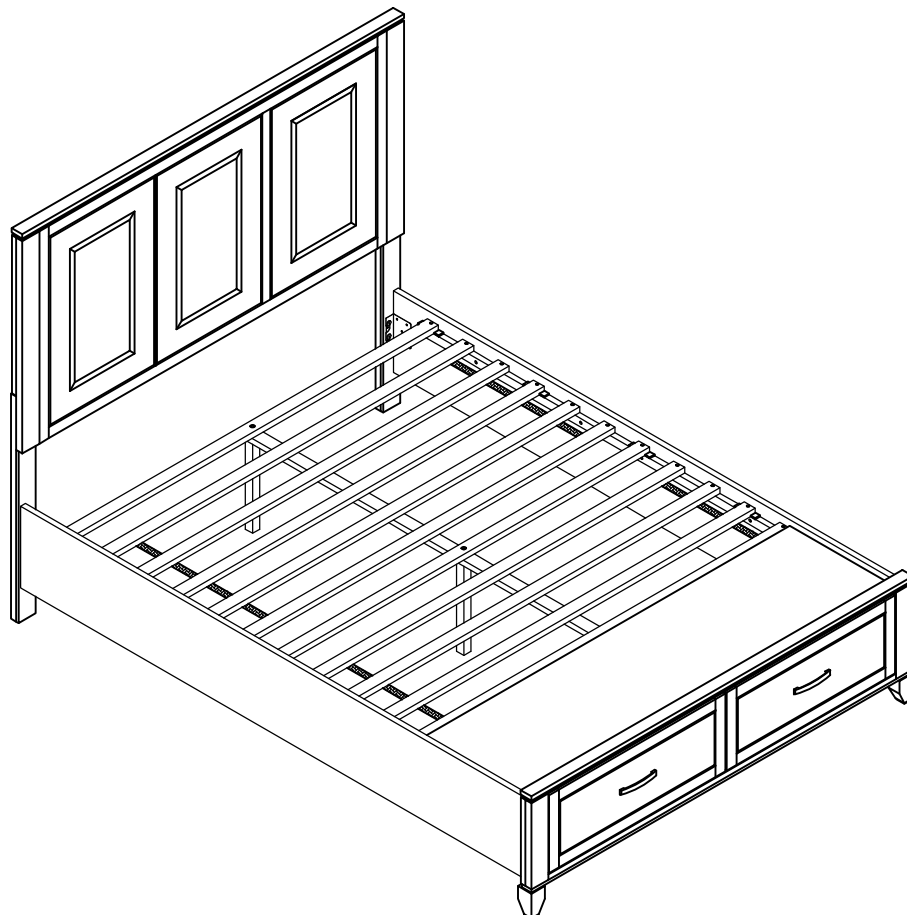
REVISION : A

| Component List | | |
|-----------------------|---------------------------|-----|
| Headboard & Footboard | | |
| No | Descriptions | Qty |
| A | Headboard | 1 |
| B | Headboard Leg (L) | 1 |
| C | Headboard Leg (R) | 1 |
| D | Footboard | 1 |
| E | Drawer Frame | 1 |
| F | Drawer Frame Support | 2 |
| G | Drawer Support Leg Center | 1 |
| H | Bed Slat 3 Holes | 3 |
| I | Slat Roll (5pcs/roll) | 2 |
| J | Bed Slat Support | 3 |
| K | Slat Cover Panel | 1 |

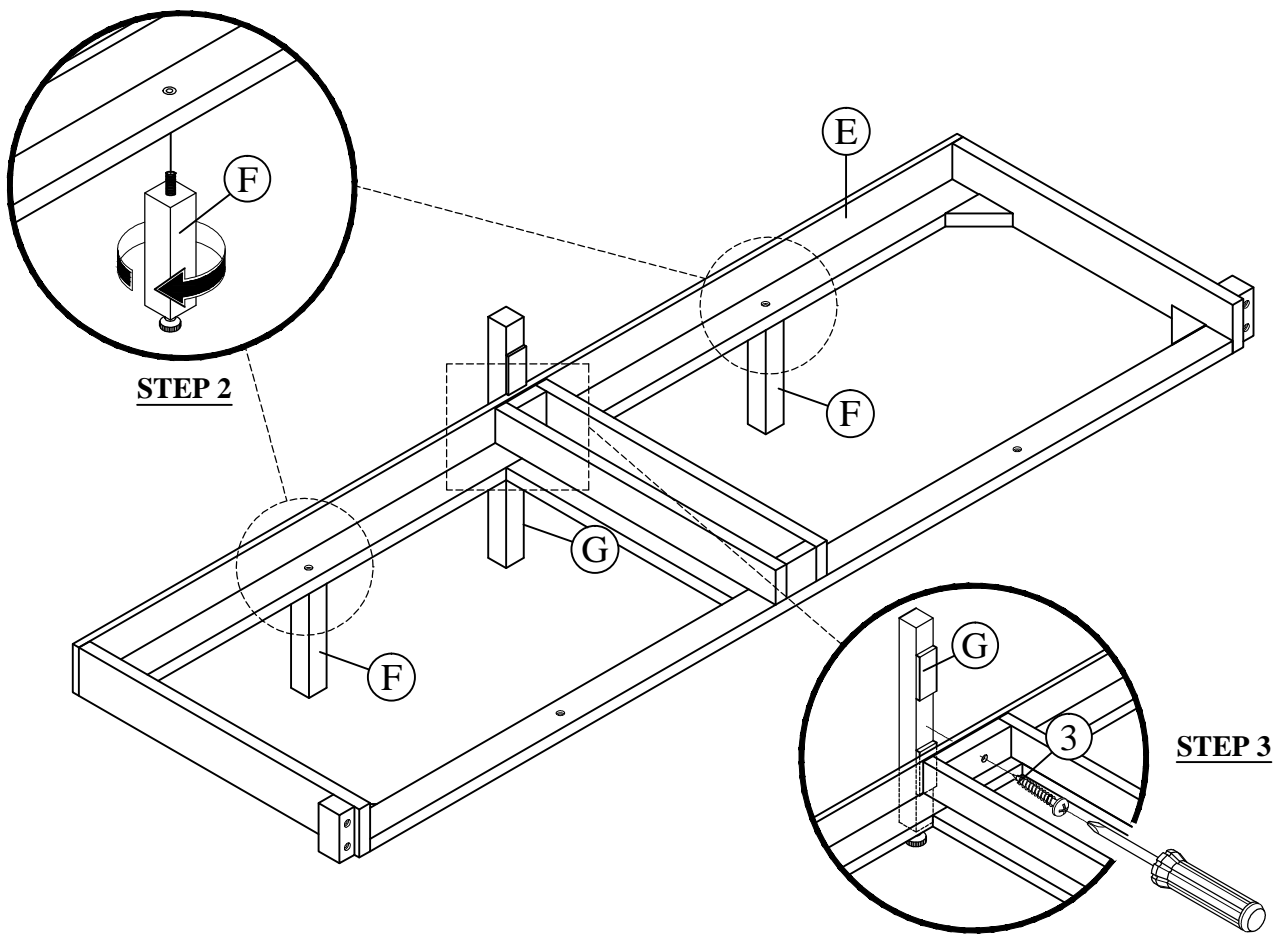
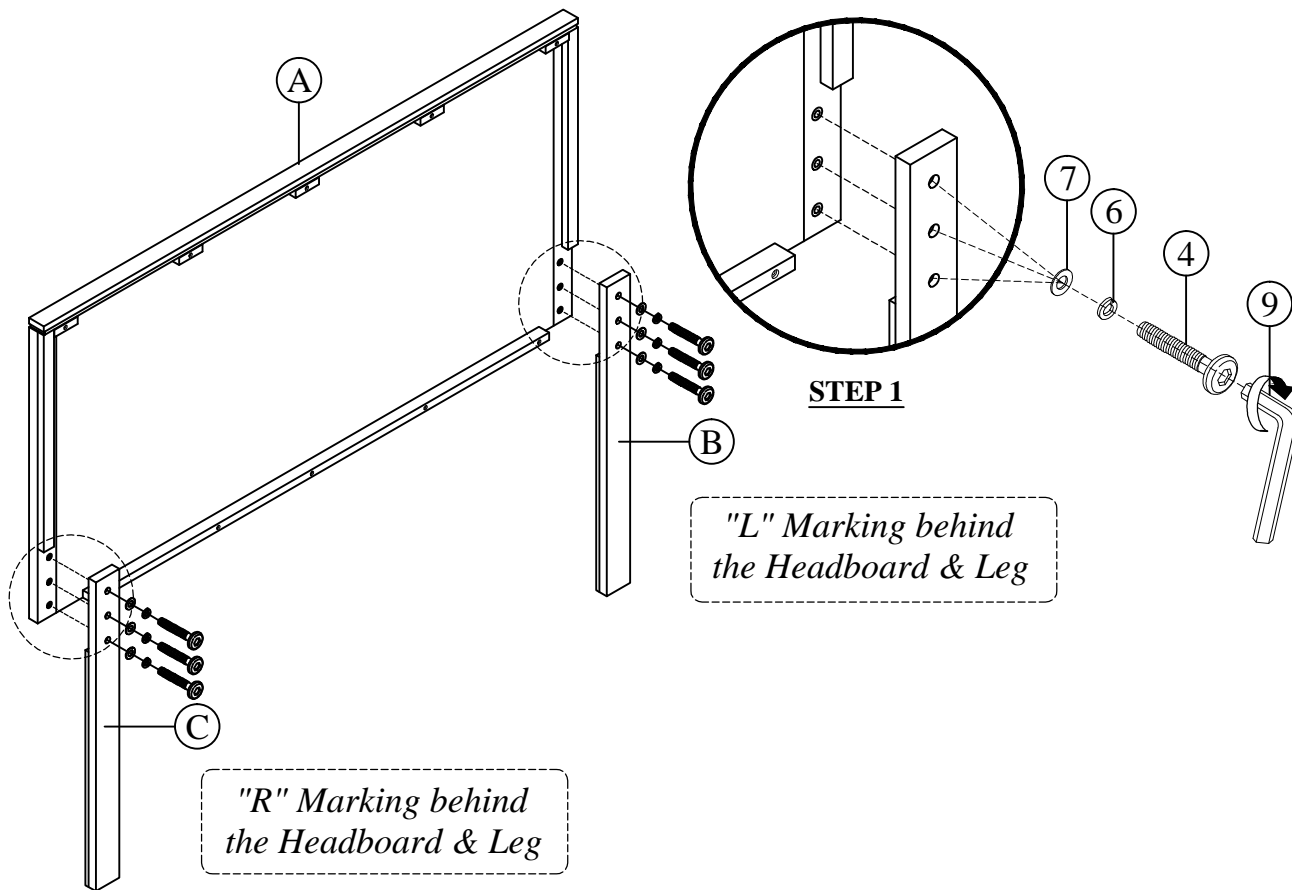
| Drawer | | |
|--------|--------------|-----|
| No | Descriptions | Qty |
| N | Drawer | 2 |

| Hardware List In Headboard & Footboard | | |
|--|--------------------------|-----|
| No | Descriptions | Qty |
| 1 | CSK M4 x 16mm | 4 |
| 2 | CSK M4 x 32mm | 28 |
| 3 | PHCB Screw M4 x 38mm | 1 |
| 4 | JCBC M6 x 30mm | 6 |
| 5 | JCBC M6 x 50mm | 7 |
| 6 | Spring Washer Ø1/4" | 10 |
| 7 | Flat Washer Ø1/4" x 13mm | 6 |
| 8 | Flat Washer Ø1/4" x 20mm | 4 |
| 9 | L Key M4 x 65mm | 1 |
| 10 | L Key M5 | 1 |

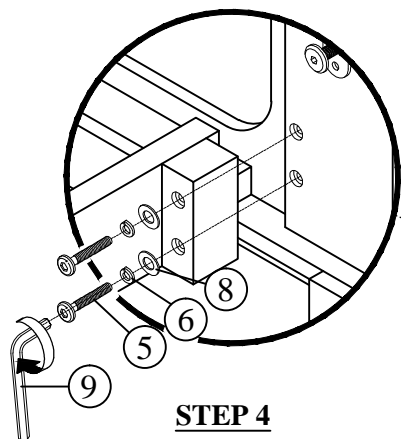
| Side Rail | | |
|-----------|--------------|-----|
| No | Descriptions | Qty |
| L | Side Rail | 2 |
| M | Cross Slat | 1 |



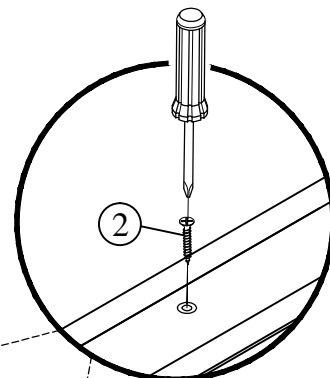
ASSEMBLY INSTRUCTIONS



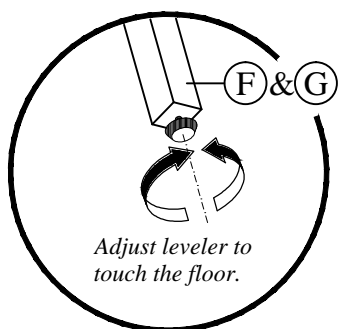
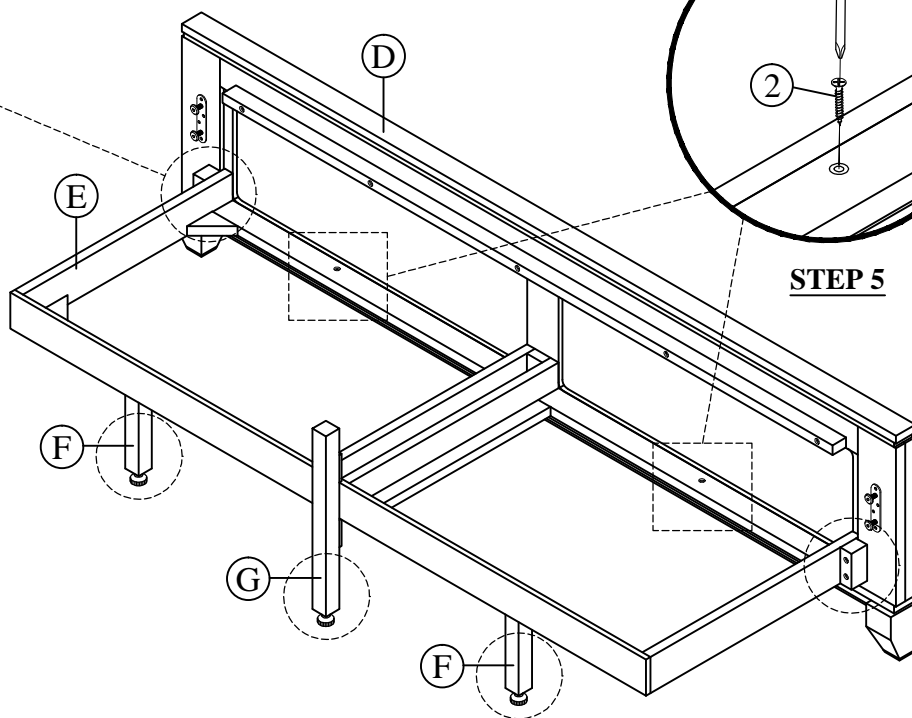
ASSEMBLY INSTRUCTIONS



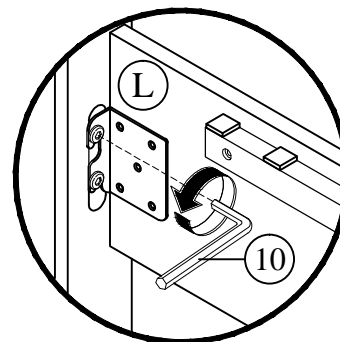
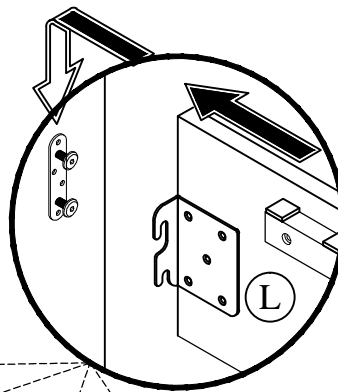
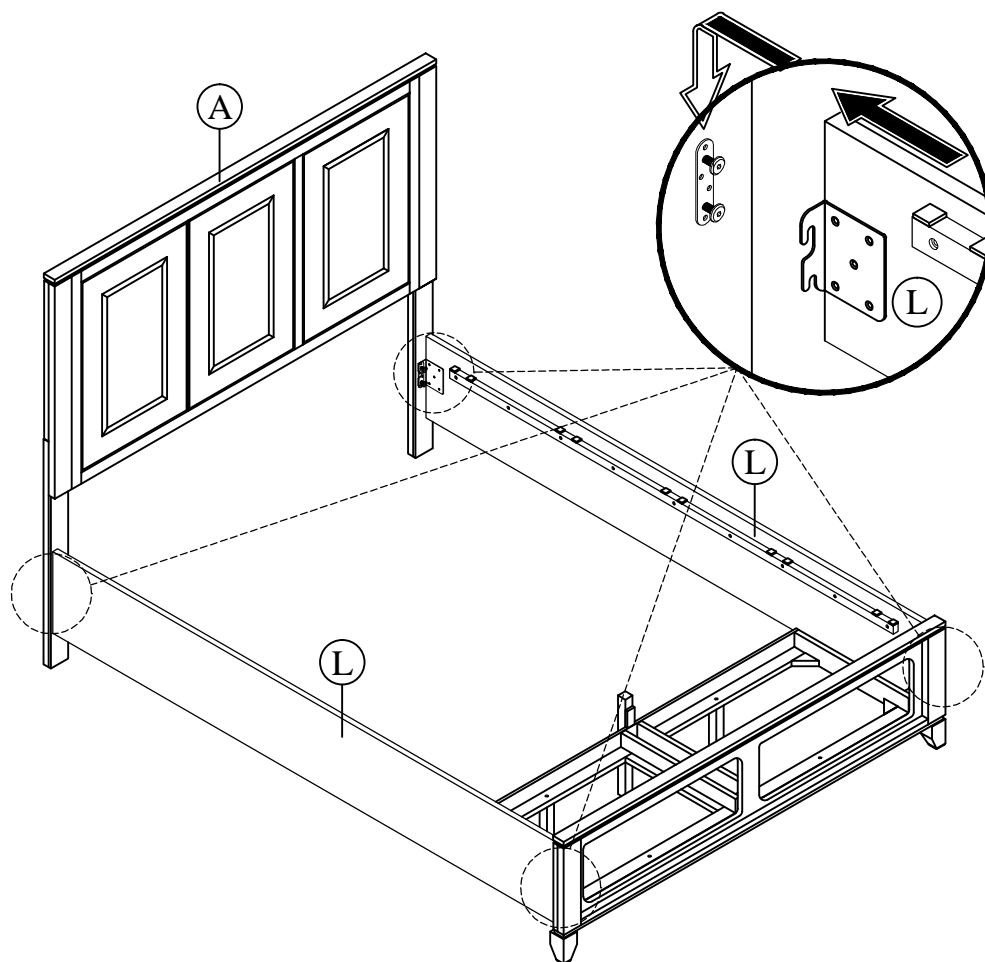
STEP 4



STEP 5



STEP 6



STEP 7

ASSEMBLY INSTRUCTIONS

