




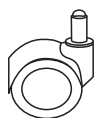
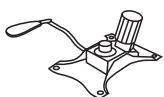





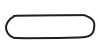
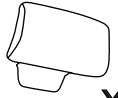


Note: Do not tighten all screws when they are being screwed. Finally tighten at the same time.

<b>A</b>  X1	<b>B</b>  X1
<b>C</b>  X2	<b>D</b>  X1
<b>E</b>  X1	<b>F</b>  X5
<b>G</b>  X1	<b>H</b>  6X20 X12
<b>I</b>  6X30 X8	<b>J</b>  X8
<b>K</b>  X1	<b>L</b>  X1
<b>M</b>  X1	<b>N</b>  X1

