

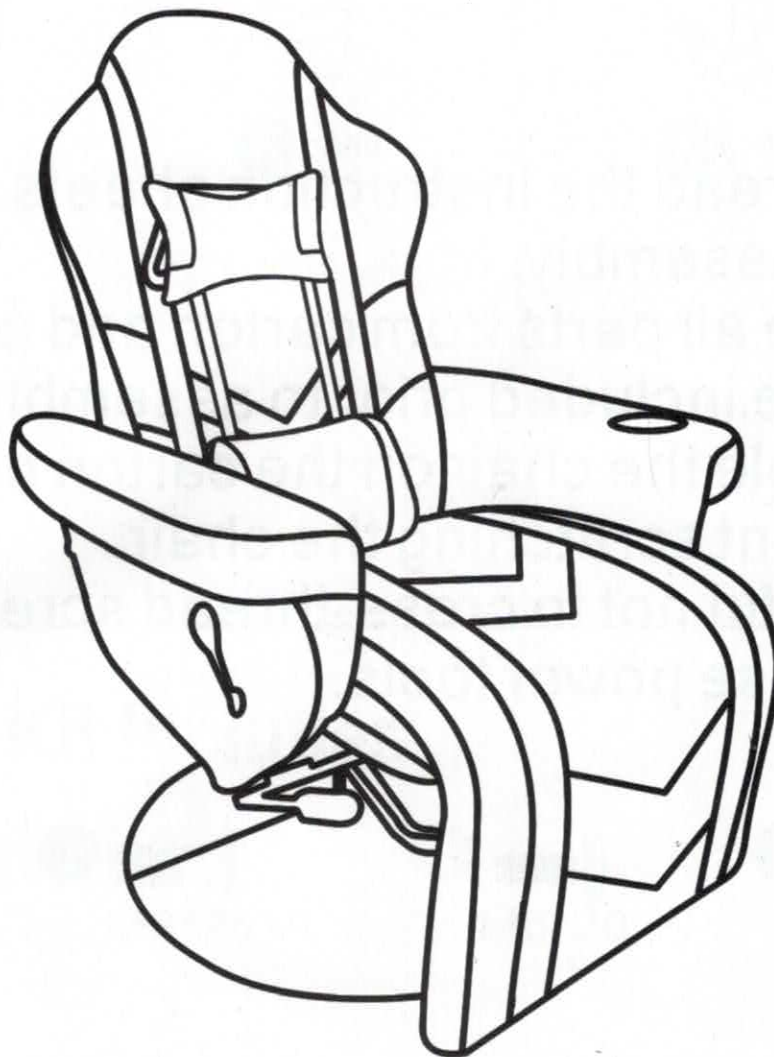
Model: **G2099**

Lot Number :

Date of purchase :

gaming sofa chair

Assembly Instructions



THIS INSTRUCTION BOOKLET CONTAINS **IMPORTANT** SAFETY INFORMATION.
PLEASE READ AND KEEP FOR FUTURE REFERENCE.

Customer Service Support: service@zcfurniture.com

Thank you for selecting one of Z&C Furniture seating solutions.

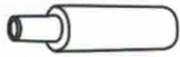
It's True...Fast, Friendly Customer Service

At Z&C Furniture, we are committed to excellence. Our primary objective is to provide fast, friendly customer service to all of our customers.

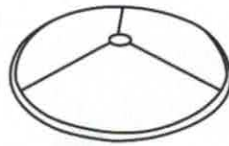
NOTES:

- Please read the instruction sheets completely before assembly.
- Remove all parts from carton and ensure all parts are included prior to assembly.
- Assemble the chair on the carton or carpet to prevent scratching the chair.
- Be careful not to cross-thread screws.
- Do not use power tools.

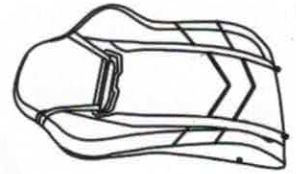
Included Parts



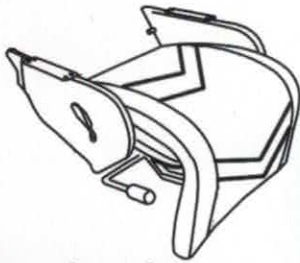
A Gas lift and Cover



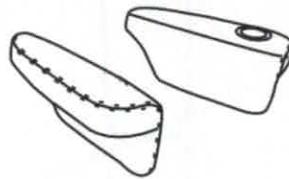
B Base



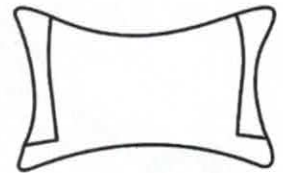
C Back Cushion (1)



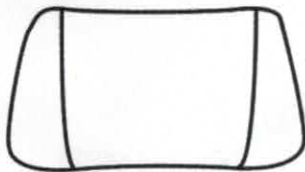
D Seat Cushion



E Arm

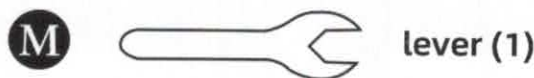
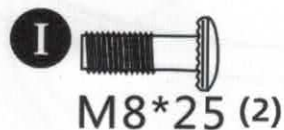


F Head pillow

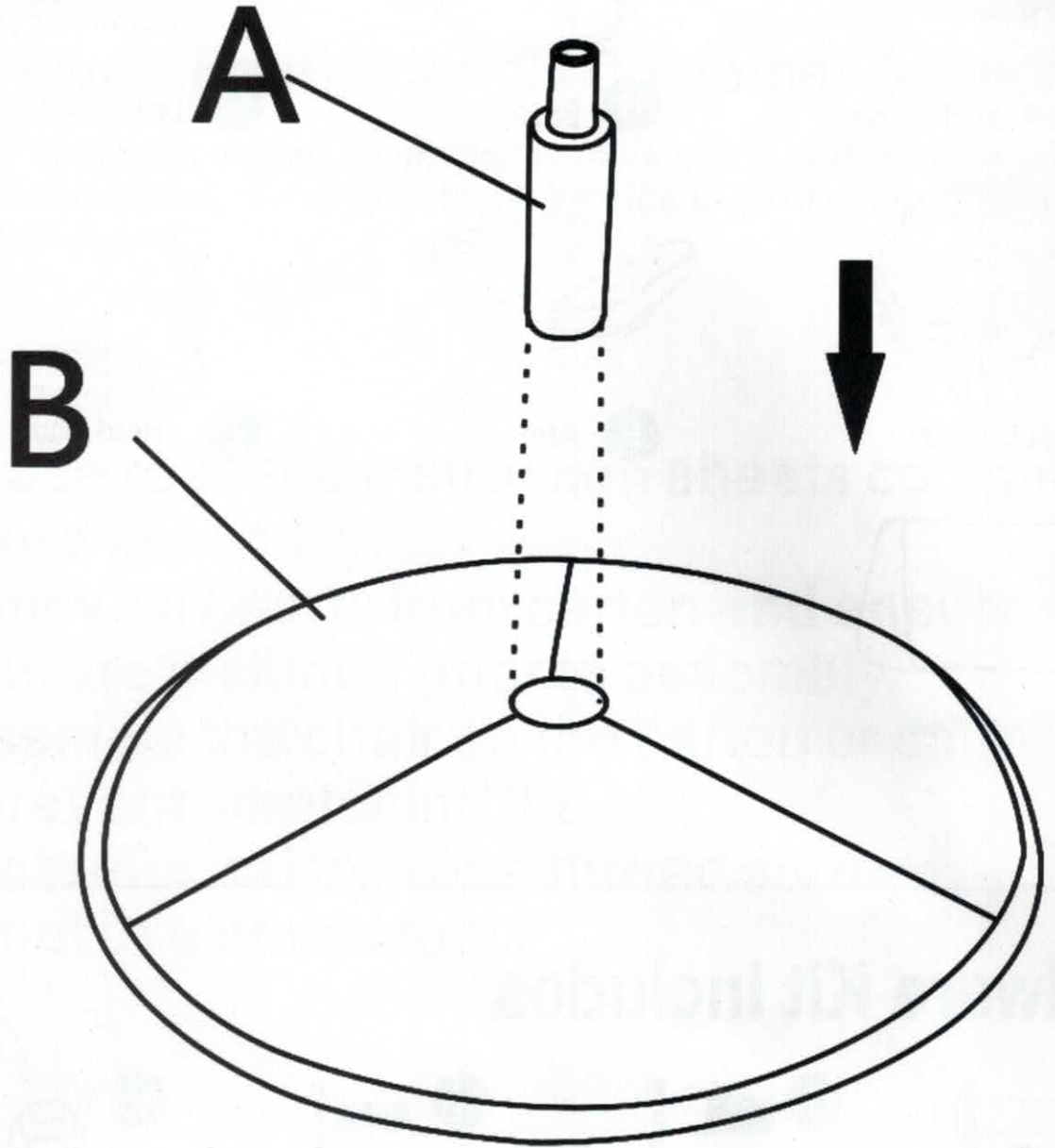


G Lumber pillow

Hardware Kit Includes

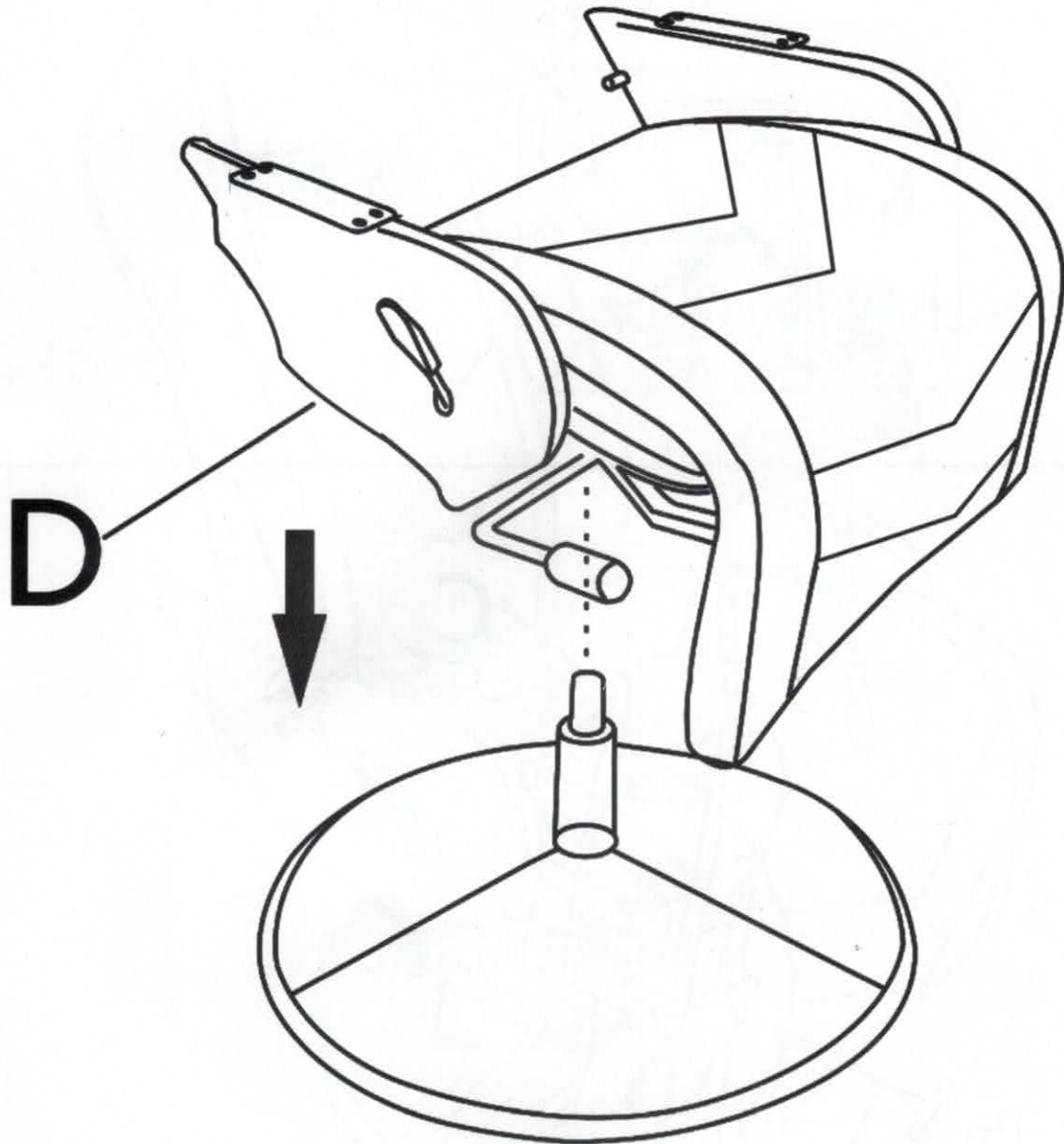


Step 1

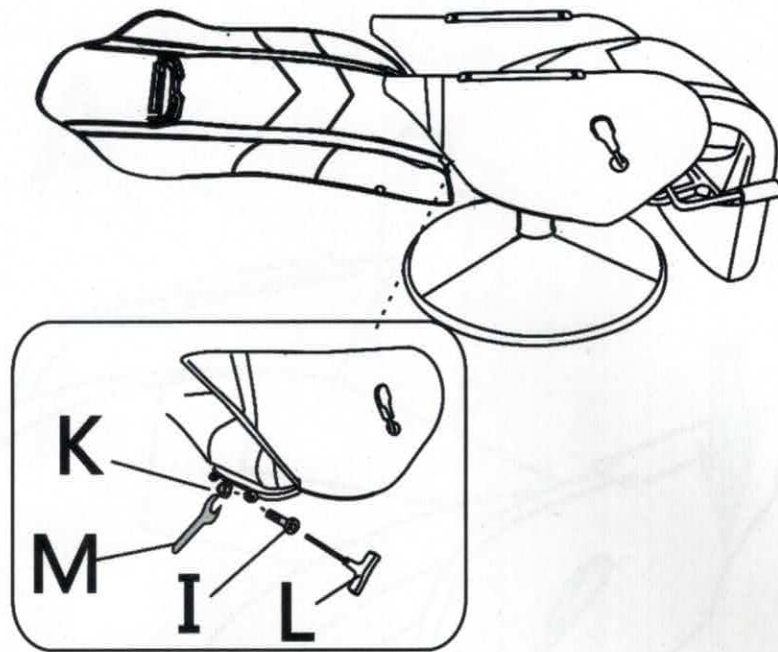




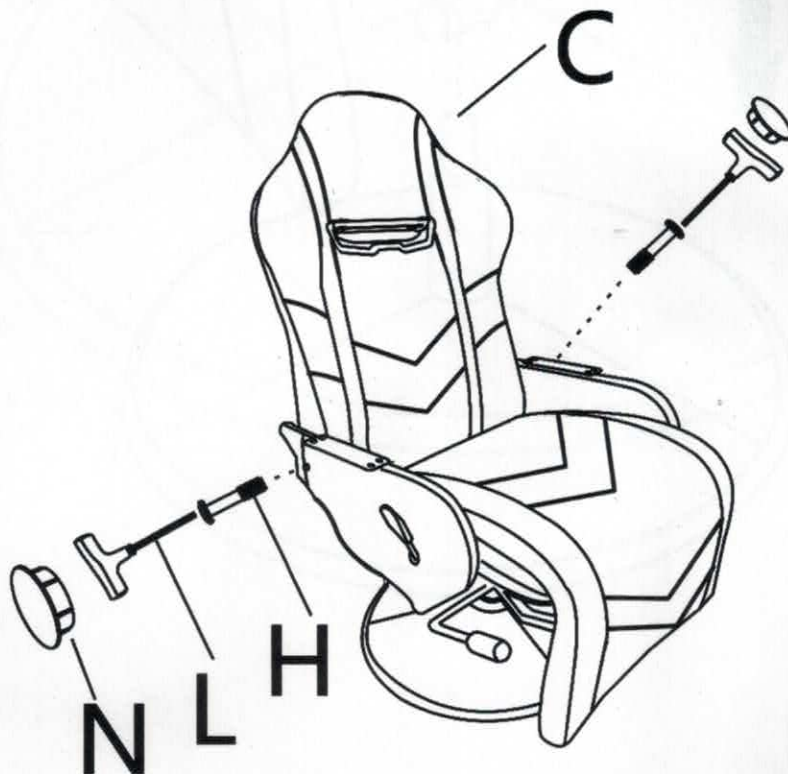
Step 2



Step 3

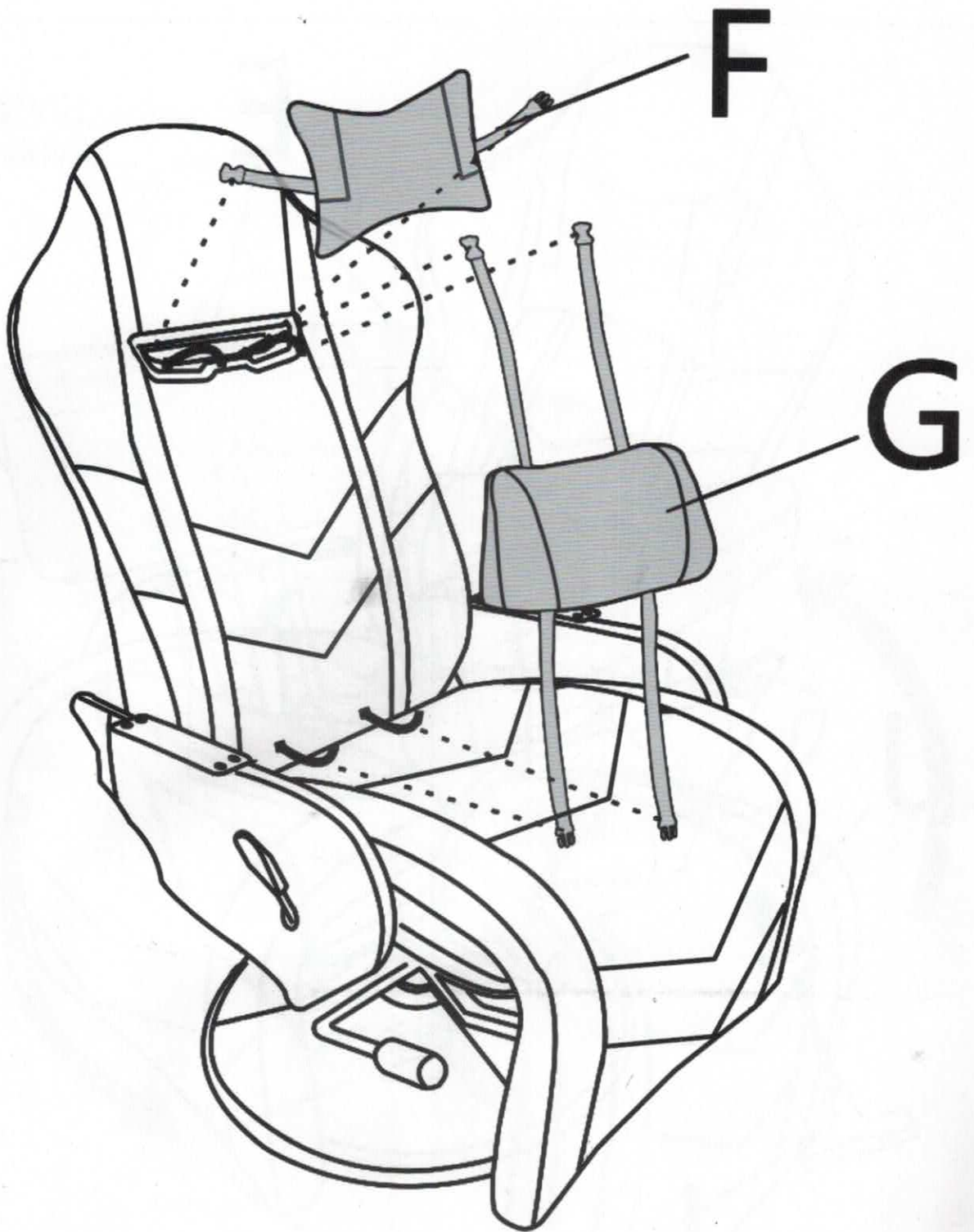


Step 4

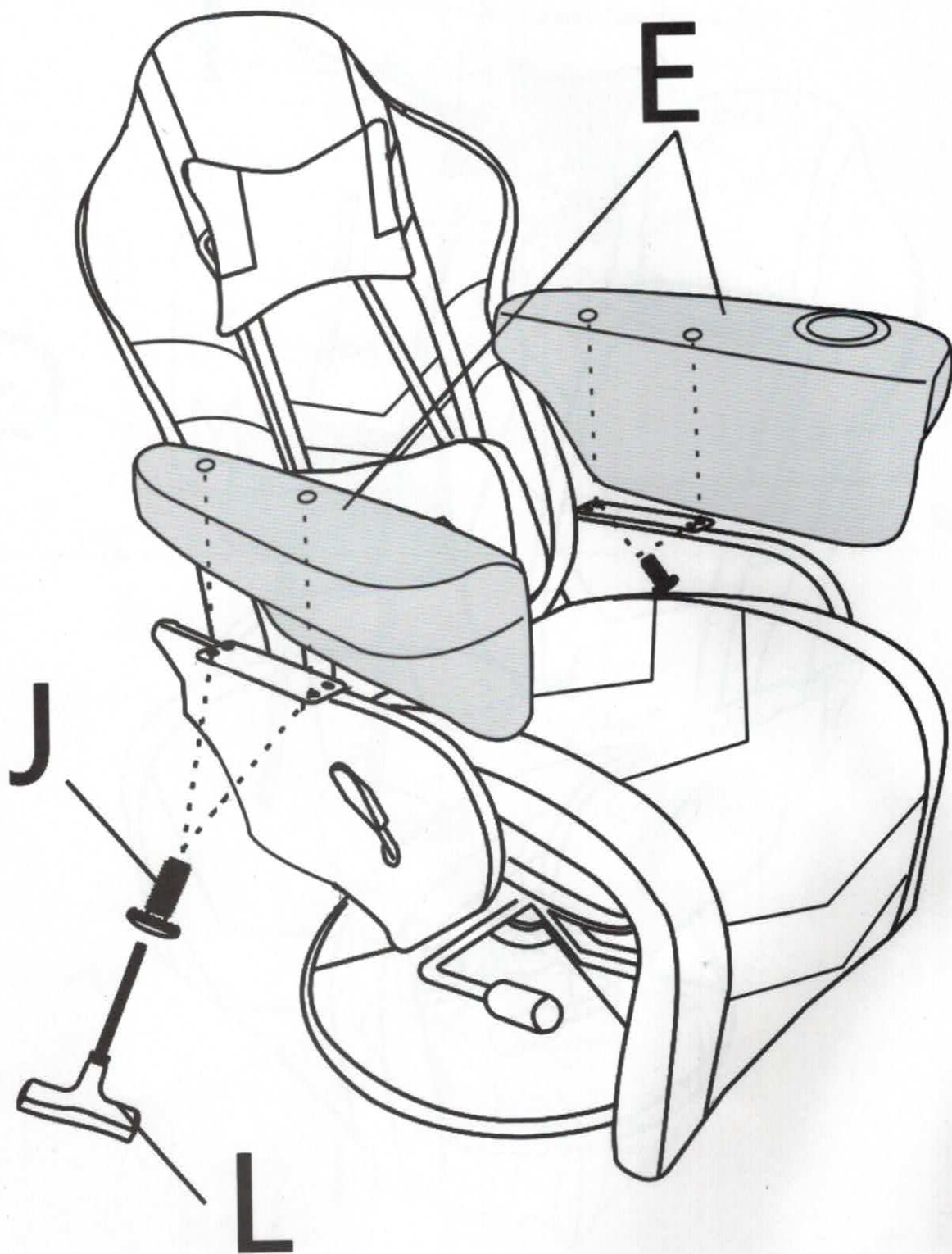




Step 5



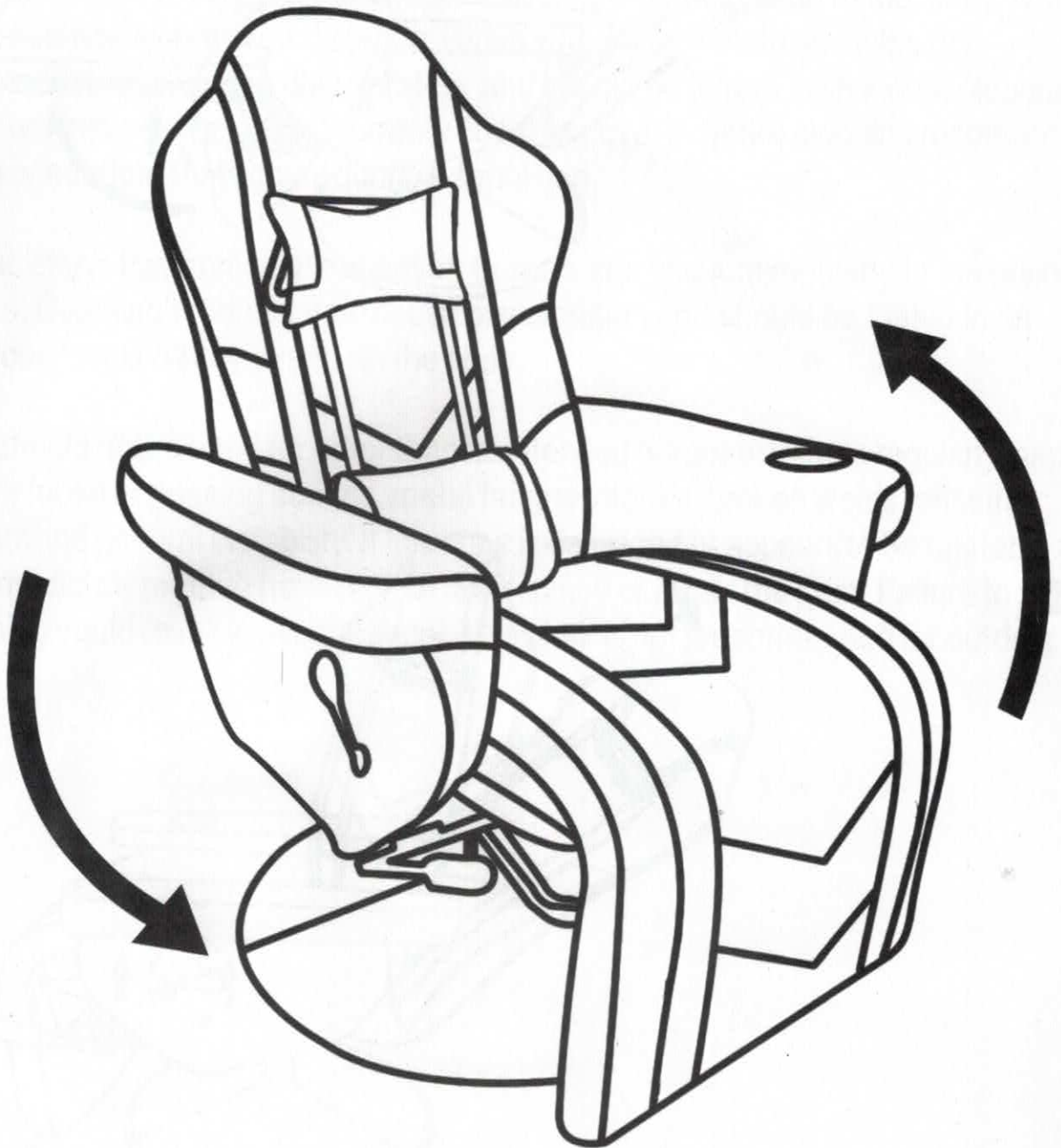
Step 6



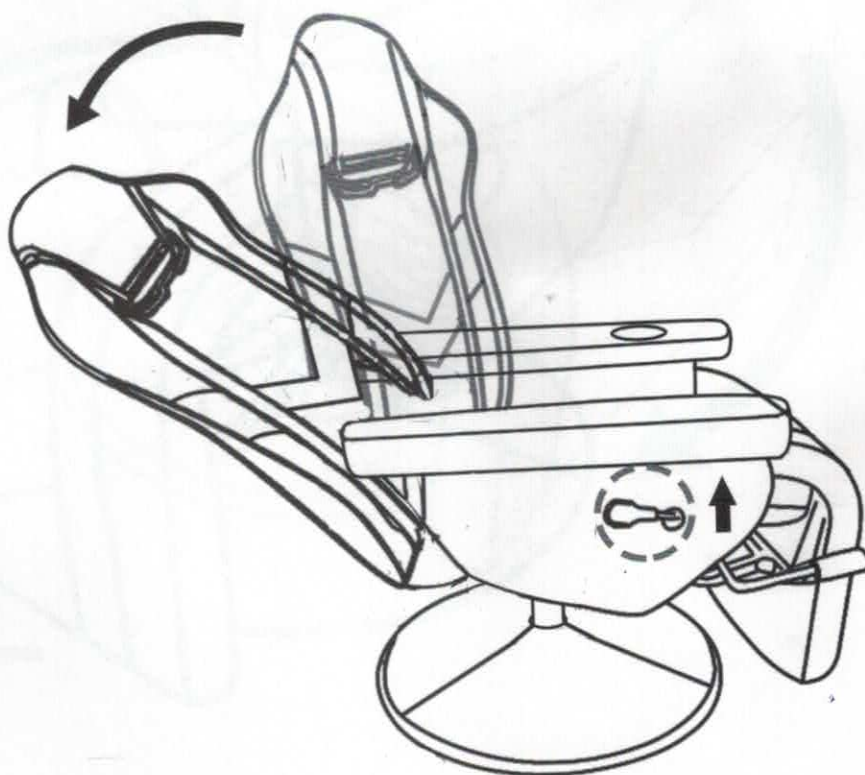
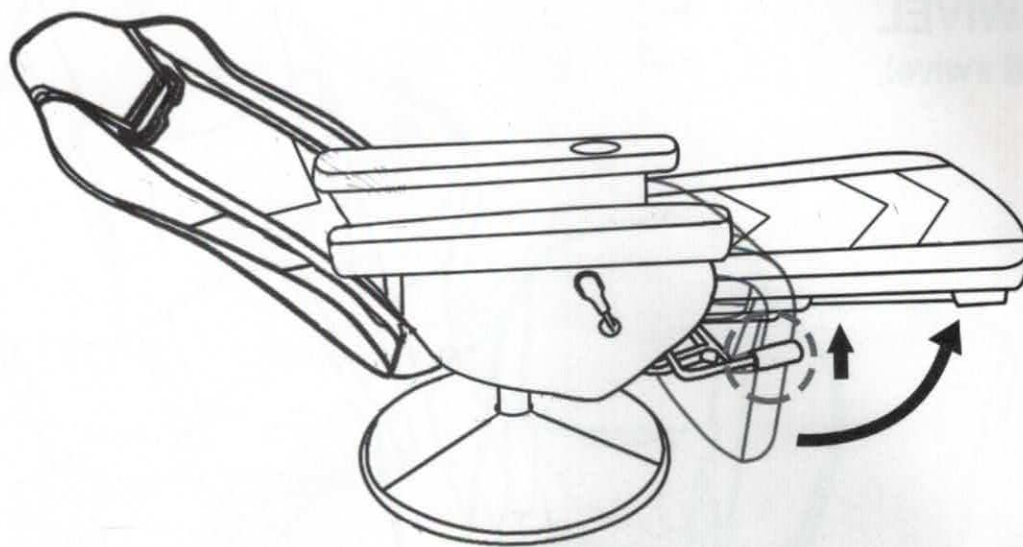


Function Instruction

360° SWIVEL
360° seat swivel.



Function Instruction





Care and Maintenance

Leather and Vinyl Coverings: Occasionally dust the leather or vinyl surface with a soft, clean cloth. For mild stains, combine water and a soft cloth. Wet the cloth and rub gently over the stain before wiping dry. For deeper stains, apply a mild soap to the cloth. Work into a lather and rub gently over the stain. Rinse with a damp cloth and wipe dry.

Cleaning products may cause discoloration and should be tested in an inconspicuous location prior to use on the chair. Warranty does not cover adverse cleaning results or scratching or scuffing that occurs during normal use.

Fabric Upholstery: Pay immediate attention to spills and vacuum regularly to maintain appearance. Cleaning products may cause discoloration and should be tested in an inconspicuous location prior to use on the chair.

This chair should not be used for other than its intended purpose. Please regularly inspect this chair for loose or missing screws, metal fatigue, cracks, broken welds, missing attachments and general instability. If this chair is damaged or appears to be unstable or unsafe, immediately remove from service and replace or repair the item. Failure to follow these warning could result in serious injury. This chair is not recommended for outdoor use.

LIMITED WARRANTY

Z&C Furniture seating products are warranted against defects in material and workmanship while owned by the "Original Purchaser". The term "Original Purchaser" is defined as that party or entity which purchases Z&C Furniture furniture from an authorized Z&C Furniture retailer as shown by the **original sales receipt**. This warranty does not apply to "as is" or previously owned seating products.

Z&C Furniture warrants its products to be free from defects in materials and workmanship (normal wear and tear, fading and stretching excepted), for one year from the date of purchase, except as provided below under the limited warranty.

The exceptions or exclusions to this warranty are as follows:

1. Any warranty claim that is submitted after the limited warranty period, or without proper proof of purchase will not include the cost of parts, labor, or delivery.

2. This warranty shall not apply to the Z&C Furniture products which have been subjected to misuse, neglect, alteration, modification, or attachments, either caused by the original purchaser, shipping, storage, accident, fire, flood, or acts of God.

In the event of a defect in material or workmanship covered by this warranty, Z&C Furniture will repair or replace, at their discretion, without charge the warranted furniture within a reasonable amount of time. We reserve the right to require damaged parts to be returned to us upon request. Natural markings such as scars, brands, grain variations, wrinkles, color variations, etc. will be considered normal characteristics and not construed as defects. We cannot warrant leather against scratching or scuffing, as all leather is subject to blemishes with use.

For claims or questions concerning this warranty, please contact Z&C Furniture Customer Service department on the web at service@zcfurniture.com. Be prepared to provide your name, address, daytime phone number, the model and purchase order number of the product, date of purchase, and the store where it was purchased. Z&C Furniture requires that the original sales receipt be submitted with all requests to confirm that you are the original purchaser according to our written warranty.

This warranty gives you specific rights, and you may also have other rights, which vary from state to state.

All warranties are limited to the original purchaser for normal use which is defined as a standard work week of forty hours by a person weighing less than 300 lbs.

Customer Service Support: service@zcfurniture.com