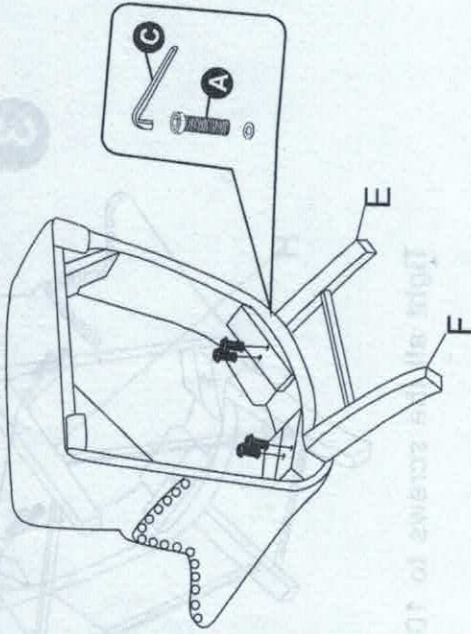
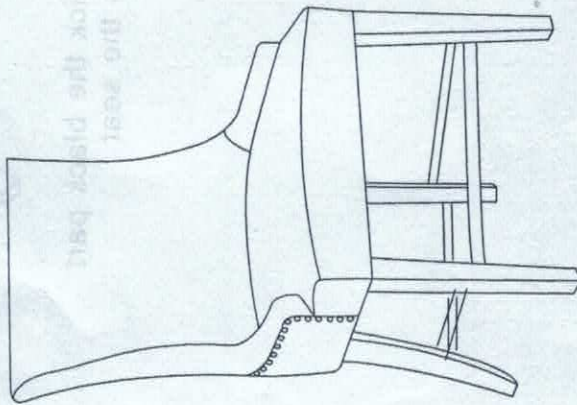


ASSEMBLY

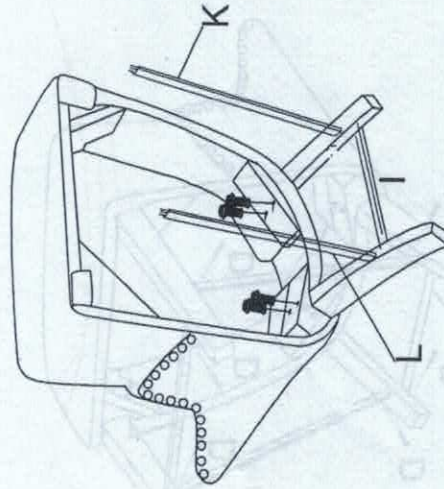
INSTRUCTION

HARDWARE LIST		
CODE	PARTS	QTY.
E	BACK LEG	1
F	BACK LEG	1
G	FRONT LEG	1
H	FRONT LEG	1
I	BACK BAR	1
J	FRONT BAR	1
K	SIDE BAR	1
L	SIDE BAR	1



1

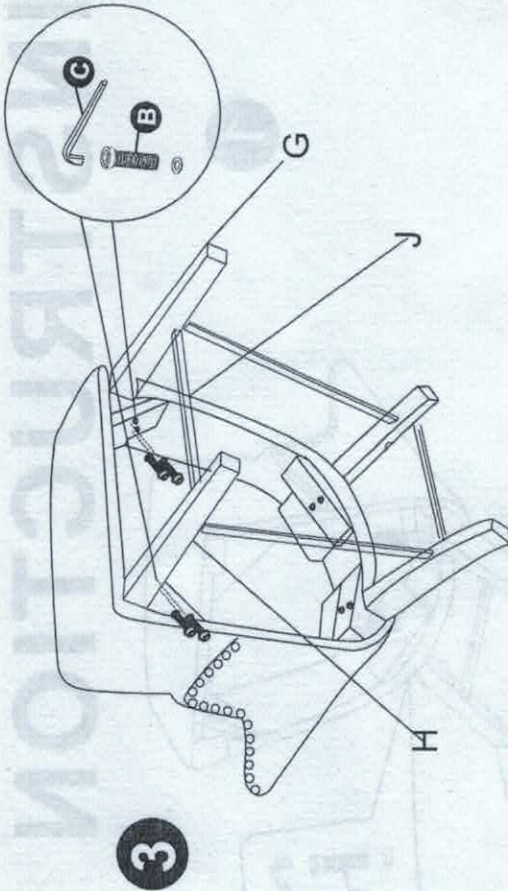
Put the screws in the holes, tight the screws, but not too tight, 90% is ok.



2

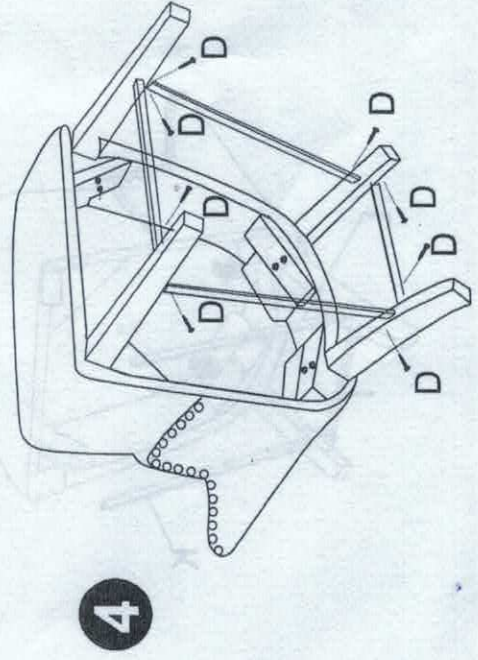
Put the bar in the holes.

HARDWARE LIST		
CODE	PARTS	QTY.
A	M8x55MM	4
B	M8x60MM	4
C	ALLEN KEY	1
D	M3.5x40MM	8



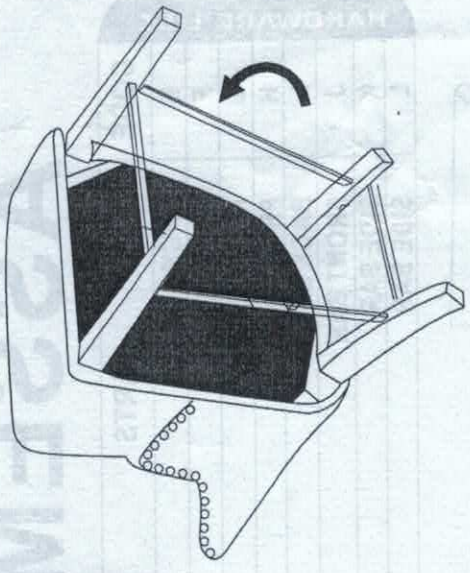
3

Tight all the screws to 100%



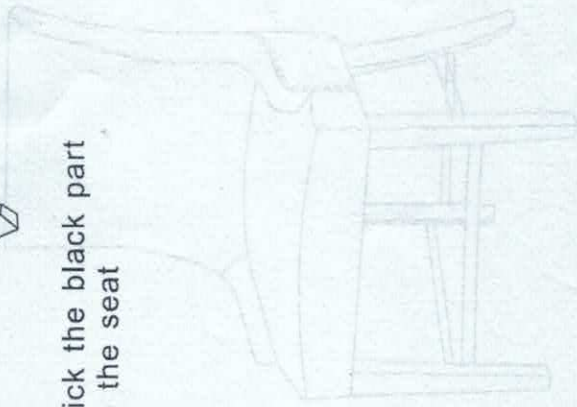
4

Tight all the screws to 100%



5

Stick the black part on the seat



HARDWARE LIST			
CODE	PARTS	QTY	UNIT
A	1MMX2MM	4	PCS
B	1MMX20MM	4	PCS
C	ALLEN KEY	1	PCS
D	M3.3X40MM	8	PCS