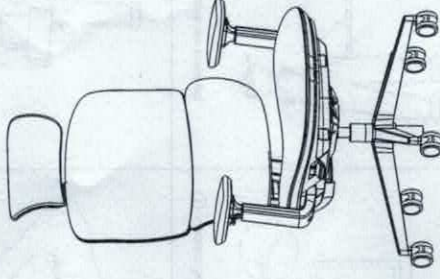


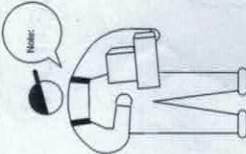

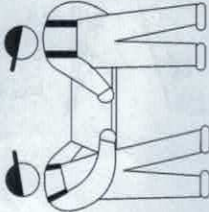
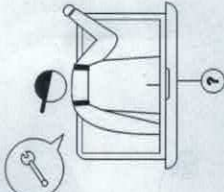
**Sunón**

**CHT-81.84.87SW  
Installation Manual**



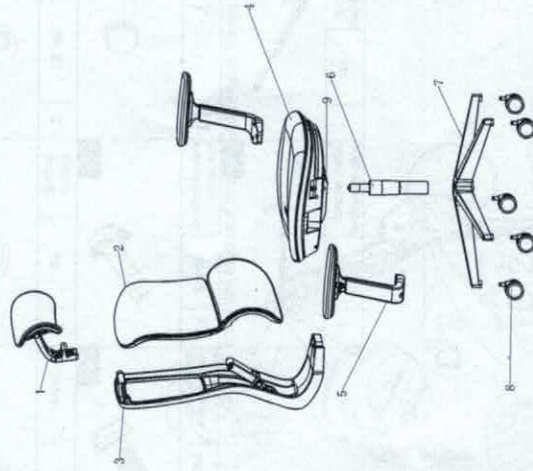
This manual is used for the installation of CHT81.84.87.  
Please read this manual carefully before use and keep it properly.

**Assembly note:**

	<p>① Use a protective mat and handle the product with care.</p> 
<p>② At least two people are required.</p> 	<p>③ Contact Sunon if you have any confusions.</p> 









This picture shows all the accessories required, among which some are key accessories. If you have missed any, please contact Sunon. Tel: +86-400-8000-666

**Exploded diagram:**



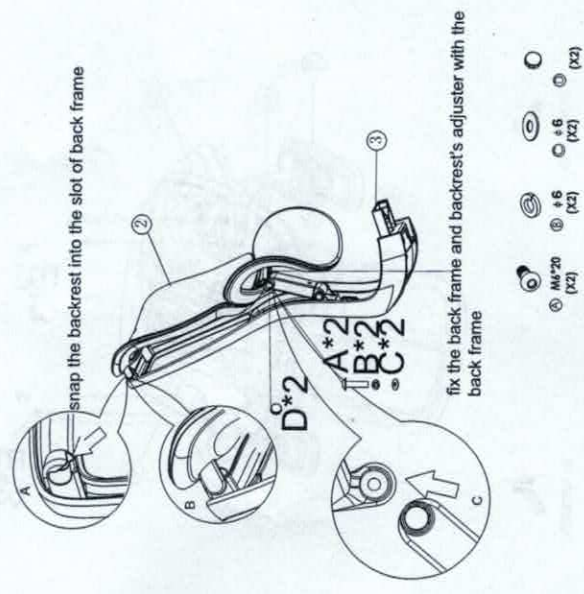
No.	Name	Pcs
1	headrest	1
2	backrest	1
3	back frame	1
4	seat	1
5	armrest	2
6	gas lift	1
7	five-star base	1
8	caster	5
9	mechanism	1

Accessory list:

	M6*20	2		spring gasket	φ6	2		gasket	φ6	2
				internal/external hex screw	1/4*3/2	6		three-in-one internal/external hex screw	M8*20	3
	4#	1		Allen wrench with round ball	5#	1				

1. Use half-round head hex screw, spring gaskets and gaskets to assemble the backrest and back frame.

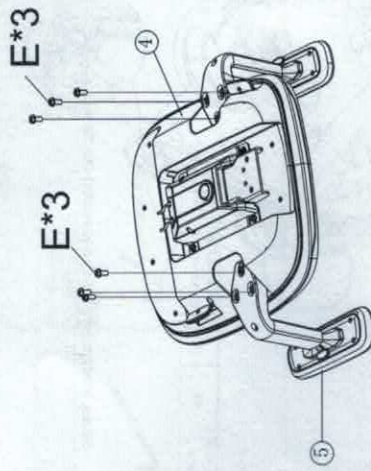
1





1. Use internal/external hex screws to fix the seat and armrest.

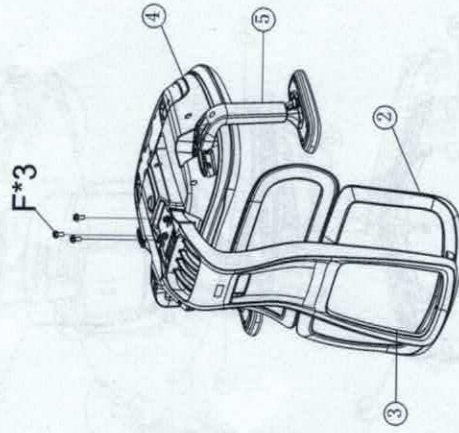
# 2



Ⓢ 1/4"x3/16"

1. Use three-in-one internal/external hex screws to fix the fully-assembled back with the seat.

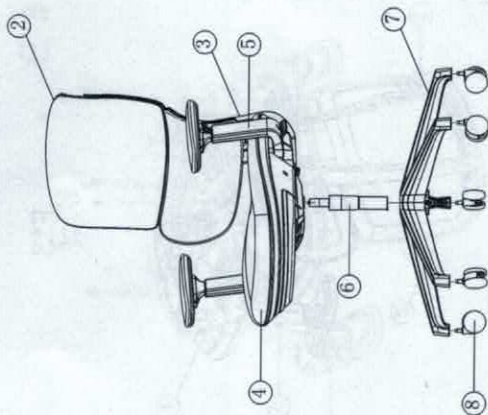
# 3



Ⓢ M8\*35(x3)

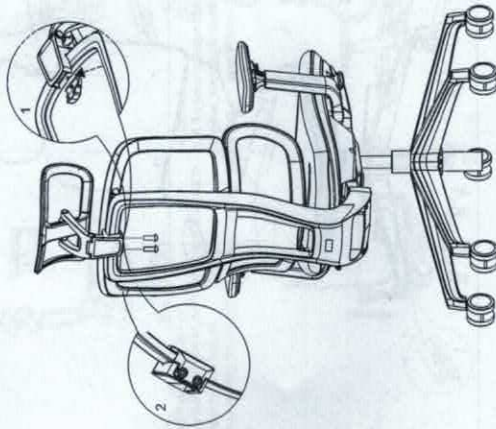
1. Align the casters with the holes of five-star base. Put the gas lift into the round holes of five-star base.

**4**

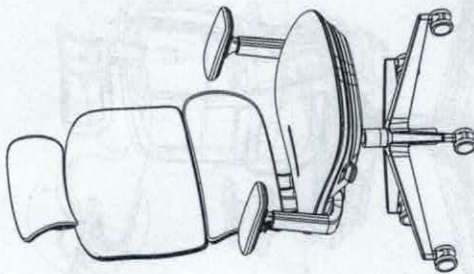


1. The headrest is locked with the embedded hexagon half round head screw.

**5**

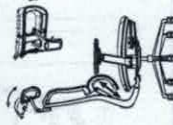


Done!

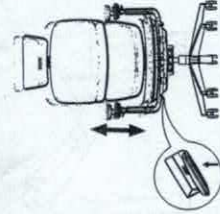


Function introduction:

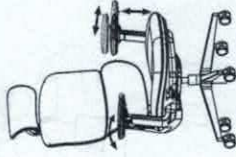
**1. Lifting and rotating adjustment of headrest**  
The connectable adjusting tubes under the back frame can be moved forward and backward to make the headrest suitably supported.  
For use: grasp the two lower ends of back frame with your hands, and lift it to appropriate position.  
Reset: grasp the two lower ends of back frame with your hands, lift it to the highest position, then pull it down to reset.



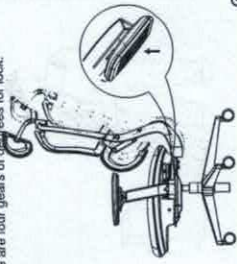
**3. Seat height adjustment**  
Leave the seat and lift the lever to rise the seat to the appropriate height.  
Without leaving the seat, lift the lever to lower the seat.



**2. 4D Armrest adjustment**  
4D armrest can be moved up and down, to the left and right, forward and backward, and rotated.

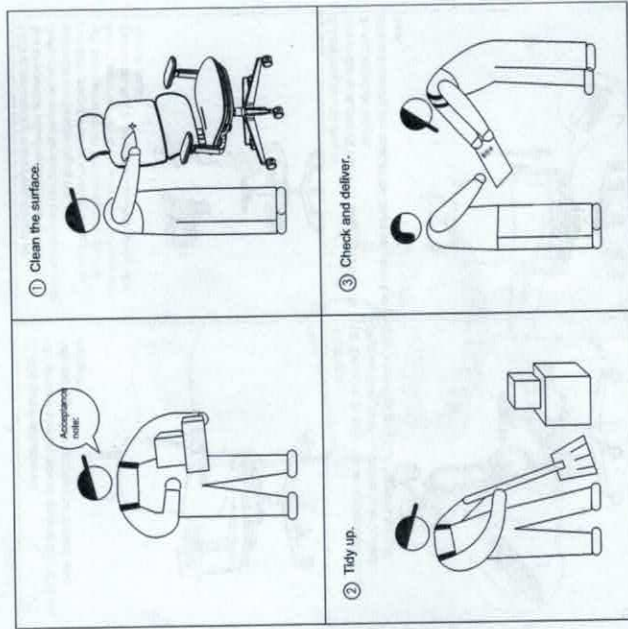


**4. Tilt lock**  
Lift the lever to adjust to an appropriate tilting degree, then push down the lever to lock. There are four gears of degrees for lock.





Acceptance note:



**Sunon**

Suite 150, Building S25 Technology Drive, Irvine, CA, 92618  
sunonglobal.com 949-337-8838 info.us@sunon.com

