

Assembly Instructions FRSF70

30 Mins

APPROXIMATE ASSEMBLY TIME

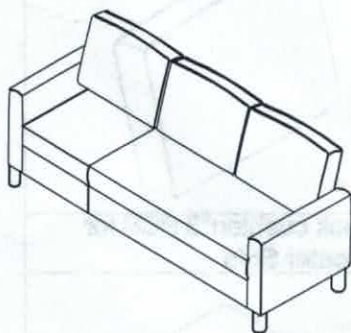
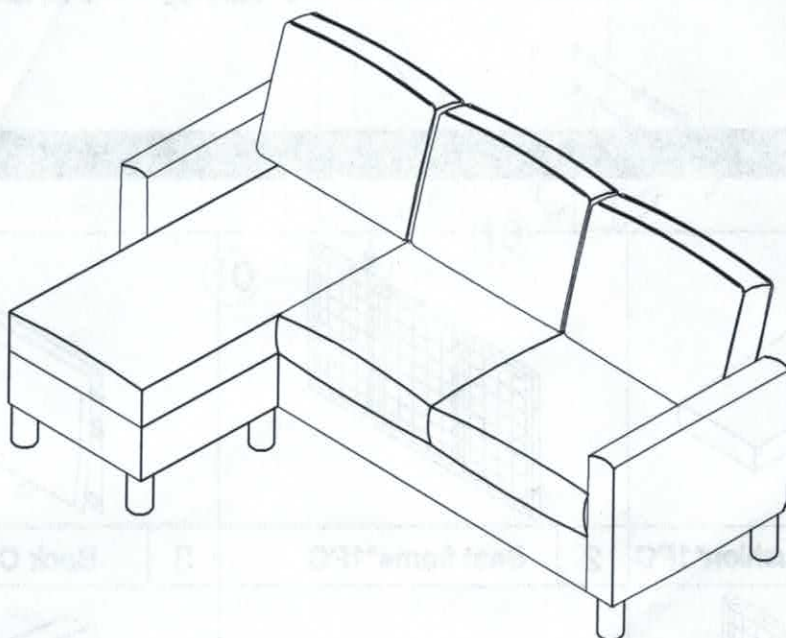
2 PERSON ASSEMBLY



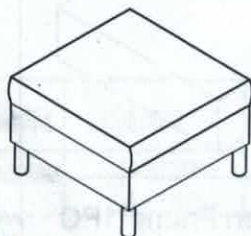
FLOOR AREA
1M x 2M



REQUIRED ASSEMBLY SPACE



3seater sofa
box :
322 178*66*21CM*1



Ottoman
box size:
021 79*60*42.5CM*1

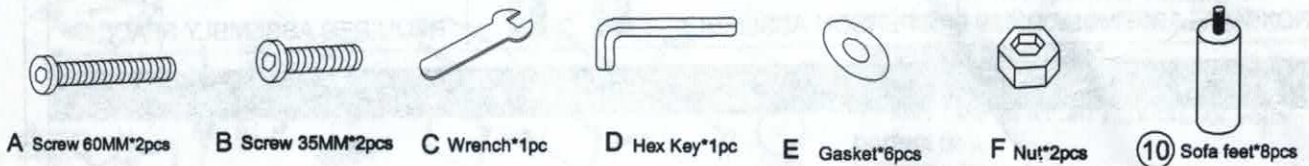


CAUTION

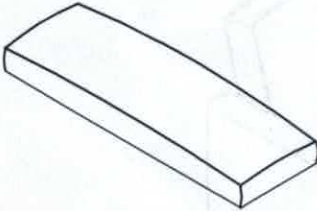
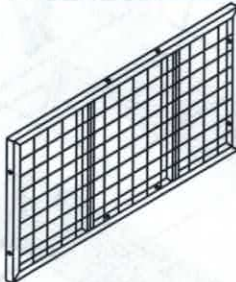
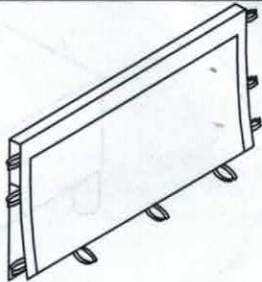
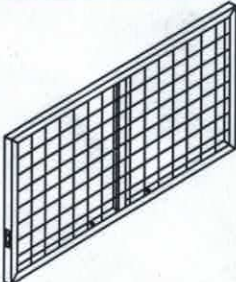
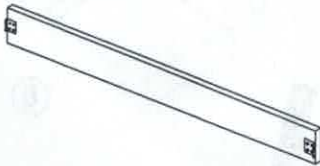
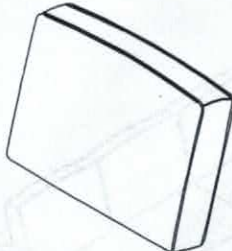
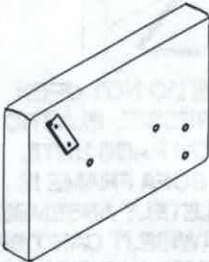
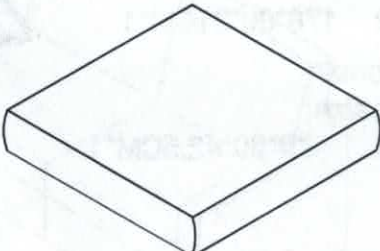
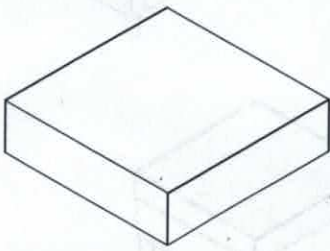
PLEASE DO NOT OPEN
COMPRESSED PLASTIC
CUSHION BAGS UNTIL
YOUR SOFA FRAME IS
COMPLETELY ASSEMBLED,
OTHERWISE,IT CAN'T BE
REPACKED IN ORIGINAL
PACKING WAY TO RETURN.

Assembly Instructions

HARDWARE LIST



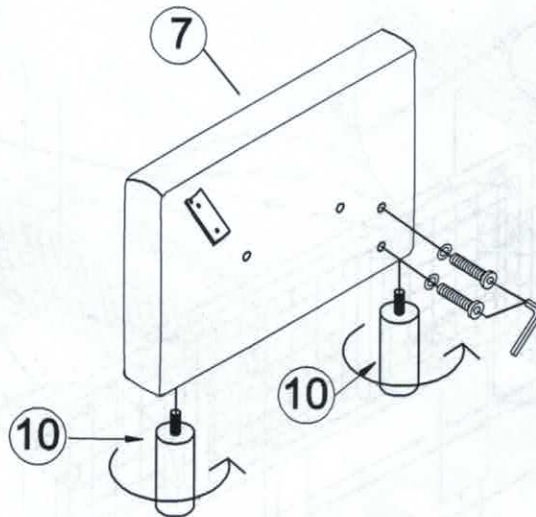
PARTS LIST

		
1 Long seat cushion*1PC	2 Seat frame*1PC	3 Back Cover*1PC
		
4 Back frame*1PC	5 Front panel*1PC	6 Back cushion*3 PCS for Seater Sofa
		
7 Arms(1PCS left+ 1pcs Right)Total*2PCS	8 Short Seat Cushion* 2PCS	9 Ottoman Frame*1PC

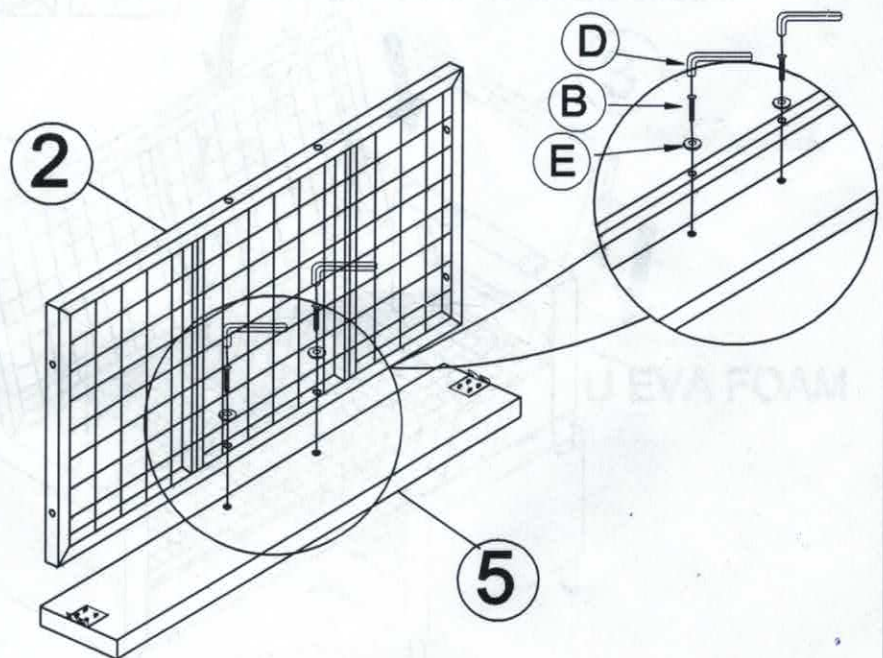
Assembly Instructions


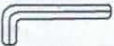

STEP 1

Screws and gaskets are preinstalled, please withdraw them to proceed installation



STEP 2

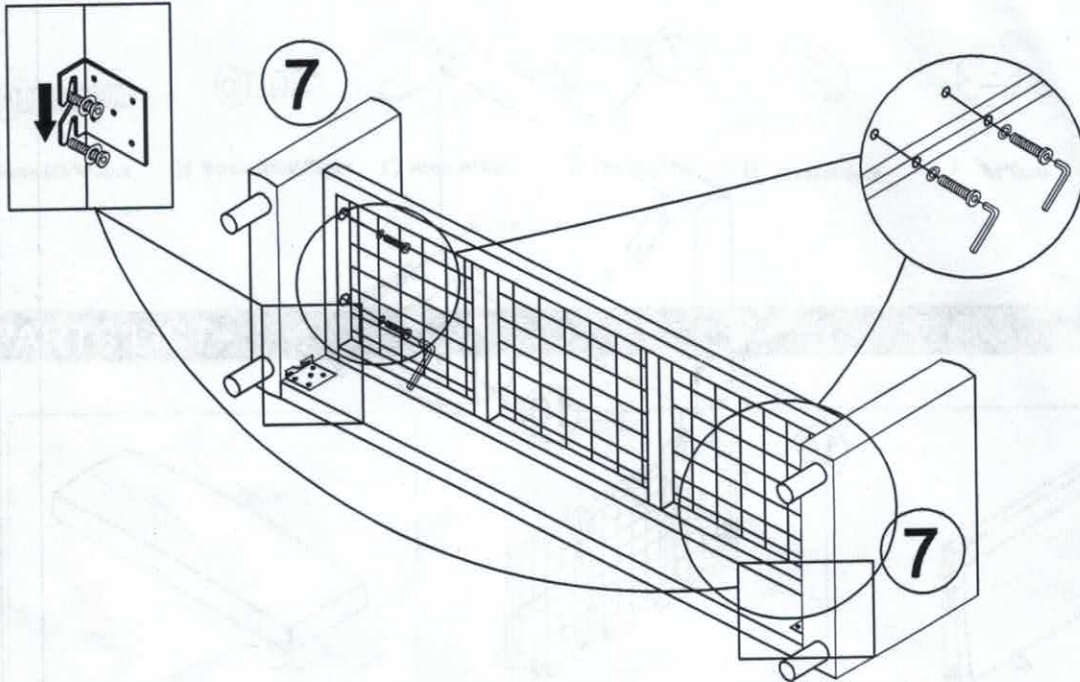


B	M8*35MM		2pcs
D	M8*100MM		1pc
E	Gasket		2pcs

Assembly Instructions

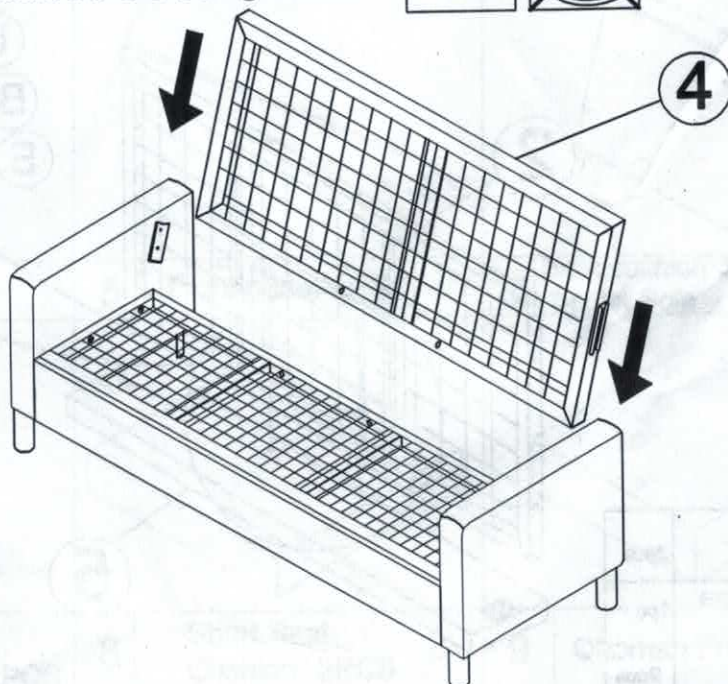
STEP 3

Attention: All screws on sofa frame should be 50% tightened.



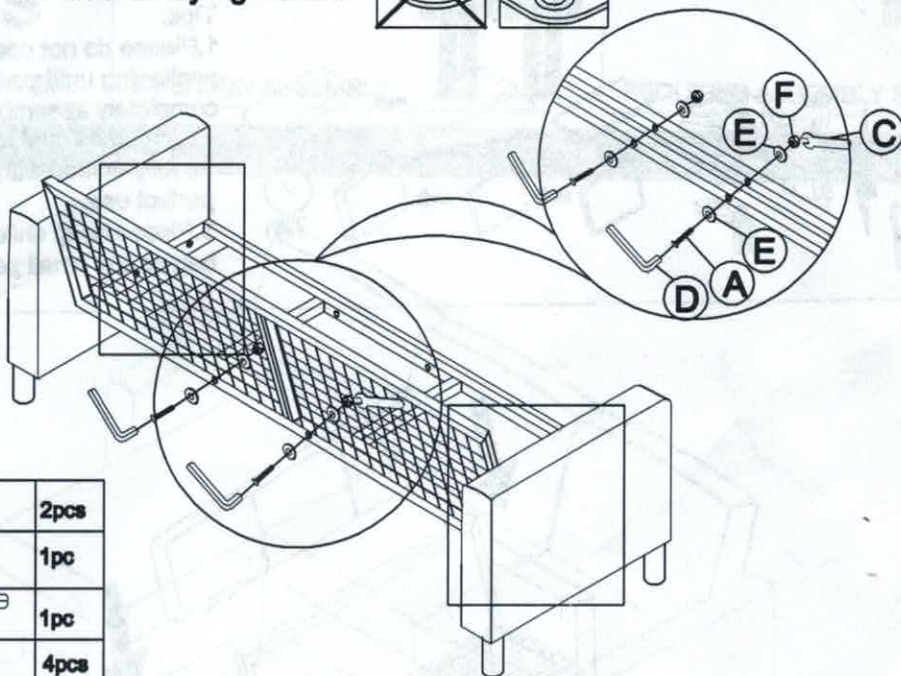
STEP 4

Attention: To insert back frame, all screws should be 50% tightened.



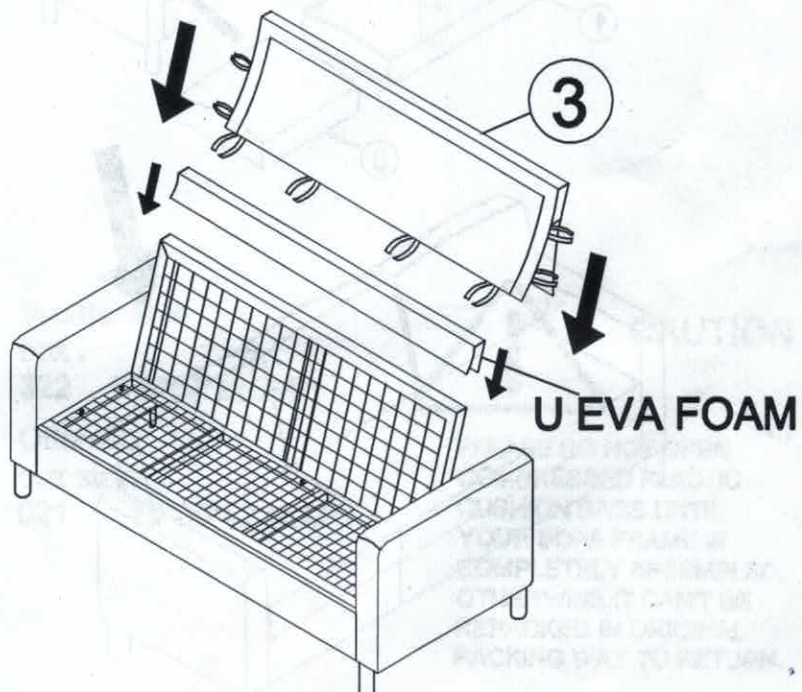
Assembly Instructions

Attention: All screws on sofa frame
STEP 5 should be **100%** firmly tightened.

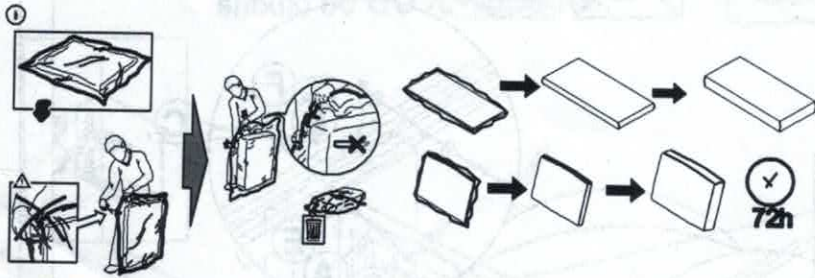


A	M8*60MM		2pcs
C	Wrench		1pc
D	M8*100MM		1pc
E	Gasket		4pcs
F	Nut		2pcs

STEP 6

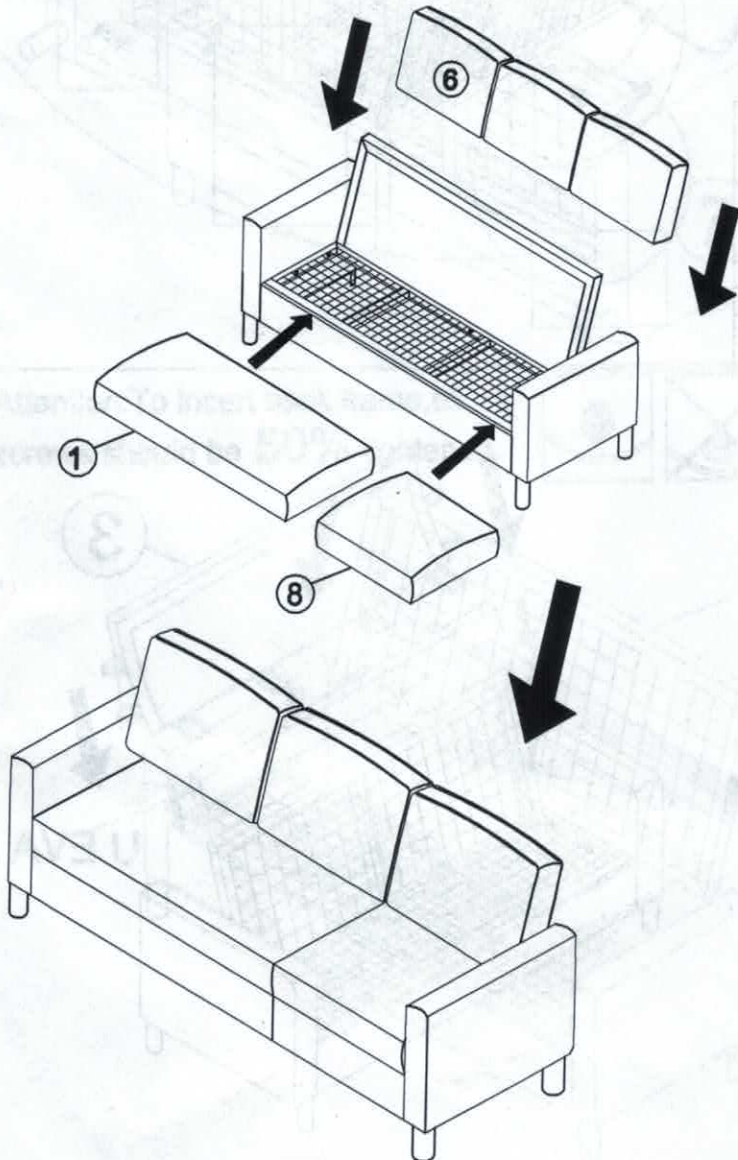


Assembly Instructions



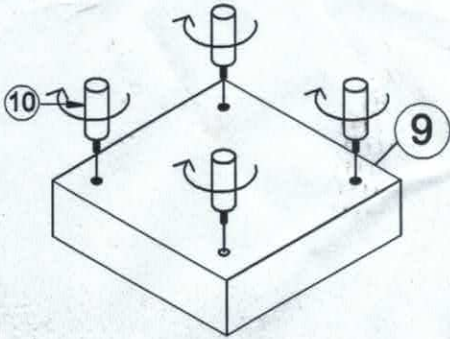
Tips:

- 1. Please do not open the compress packaging until your sofa frame is completely assembled.
- 2. Compress cushions or pillows need be fully fluffed within 72hours for your perfect use.
- 3. Please keep children away from plastic bag or any small pcs of stuff.

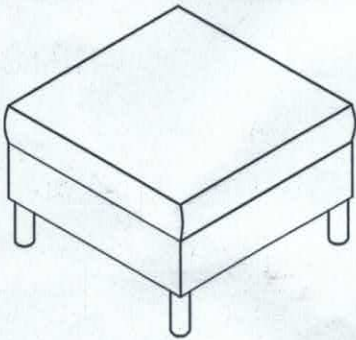
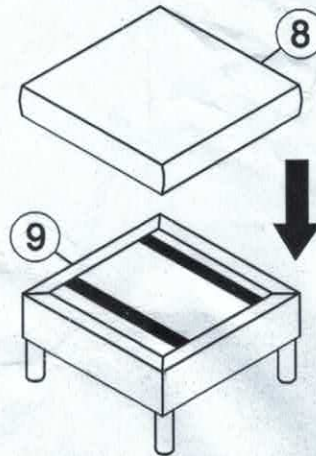


Ottoman assembly instruction

STEP 1



STEP 2



STEP 3

