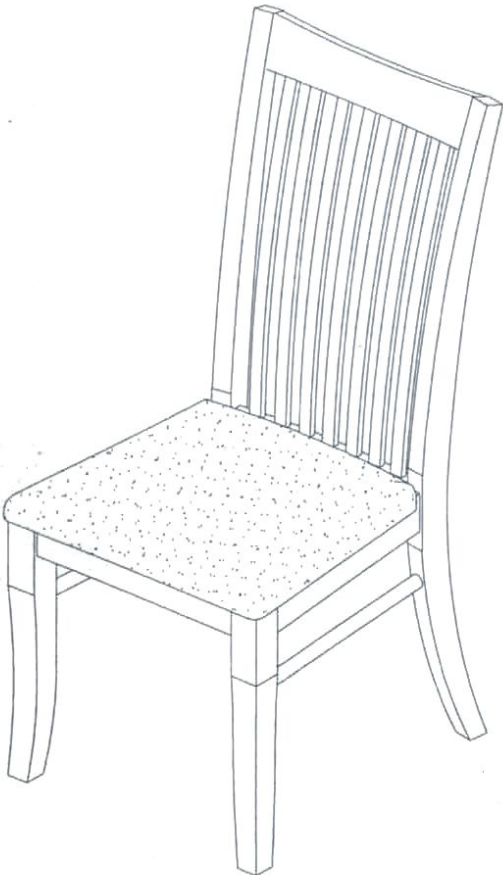

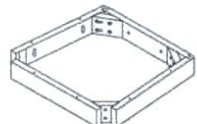


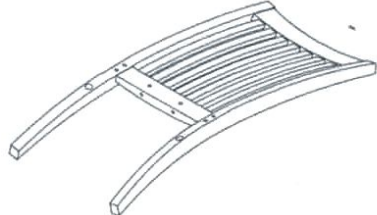








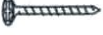



ASSEMBLY INSTRUCTIONS

DINING CHAIR-FCVN32

PICTURES	CODE	PARTS	Q.TY
	A	 Top	1
	B	 Bottom Frame (L+R)	1
	C	 Legs (L+R)	2
	D	 Connecting Bars	2
	E		1

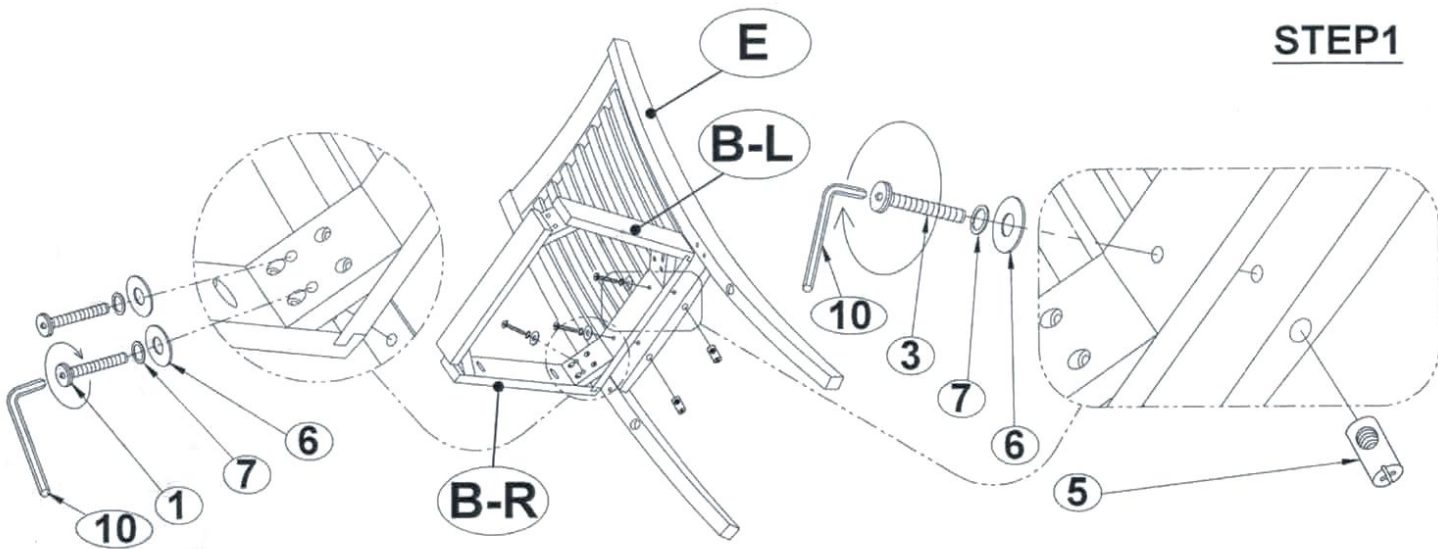
HARDWARES

CODE	PICTURES	SIZE	AMOUNT
1		Bolts M6 x 90mm	04
2		Bolts M6 x 70mm	04
3		Bolts M6 x 45mm	02
4		Nut M6/10x45	02
5		Nut M6/6x12	02
6		Plat washer M8	10
7		Spring washer	10
8		Screws M4 x 30	6
9		Screws M4 x 40	4
10		Allen key	01

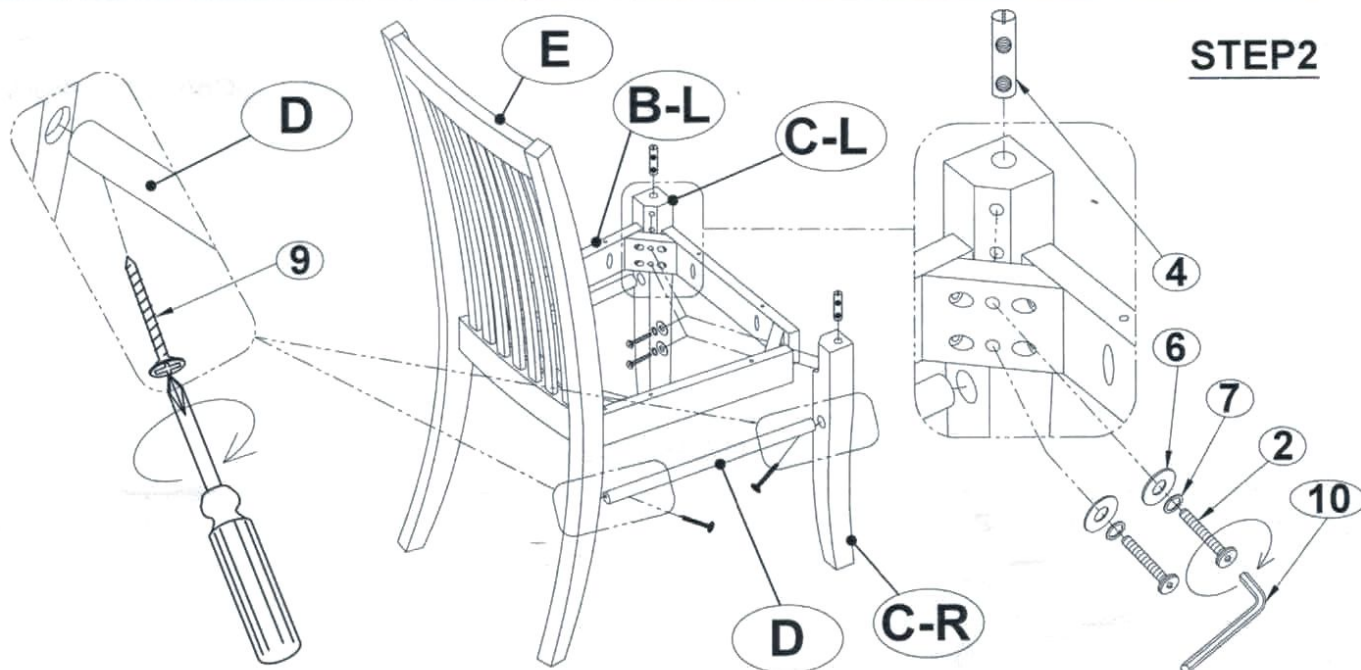
ASSEMBLY INSTRUCTIONS

DINING CHAIR-FCVN32

STEP 1



STEP 2



STEP 3

