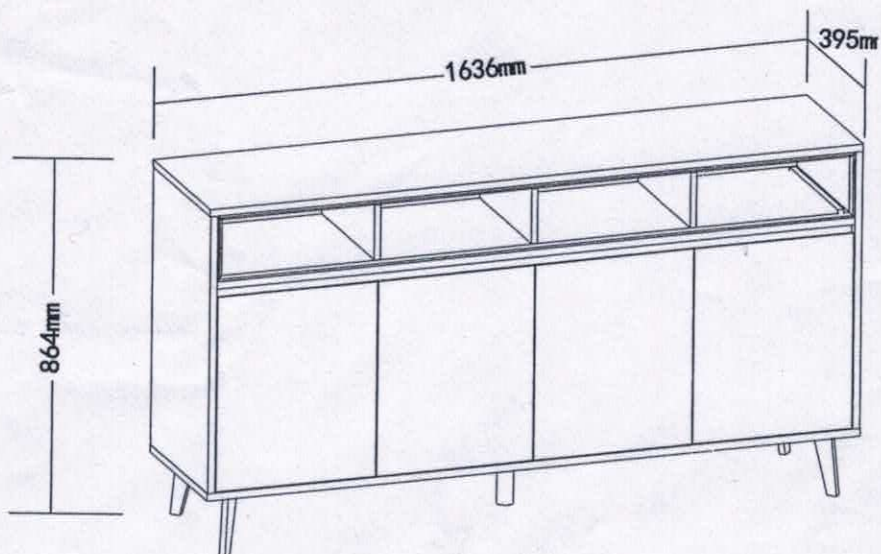


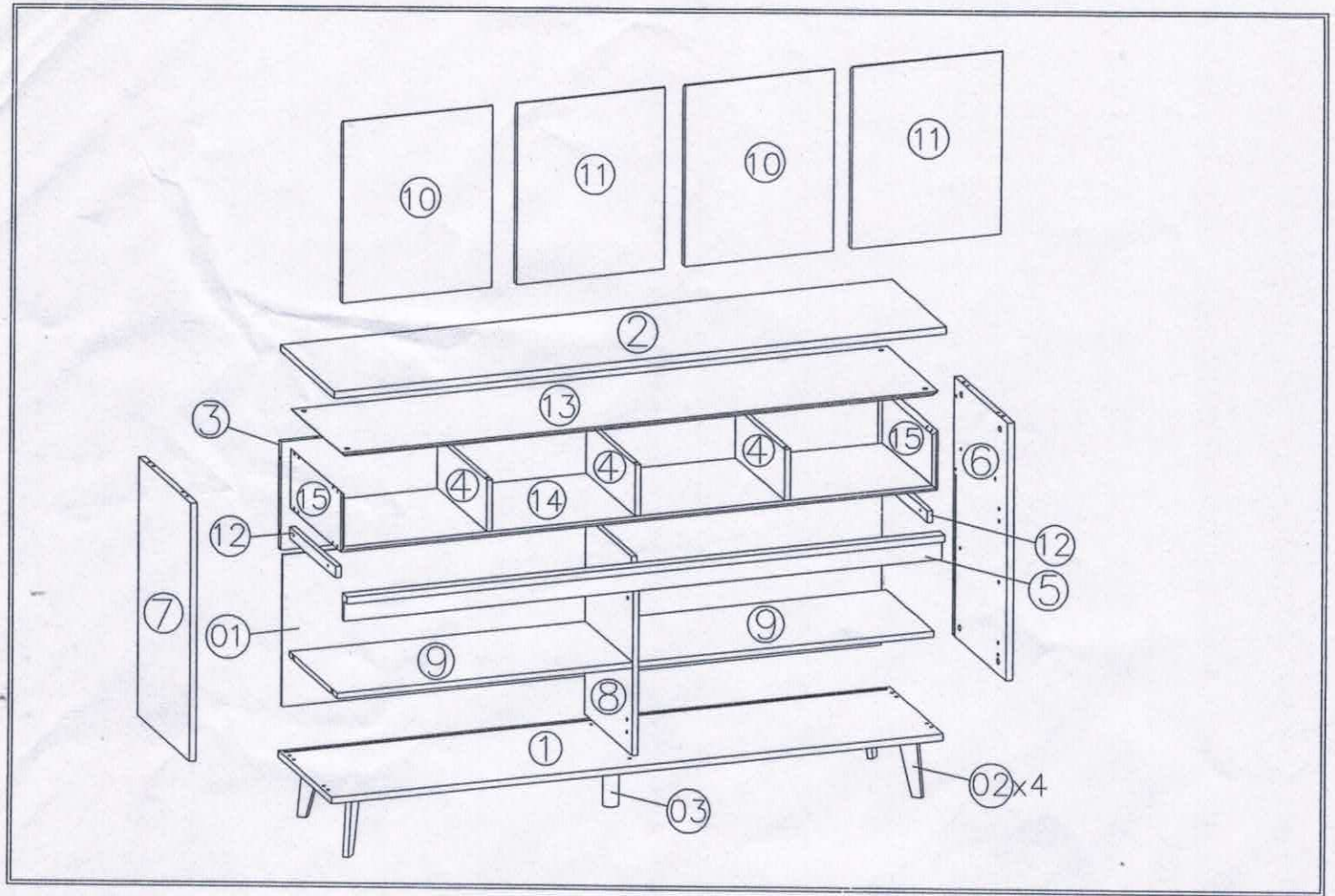
PRODUCT NAME

LANGFORD 160 Buffet



EN

1. Identify the parts which make up your piece of furniture.
  2. Gather the hardware parts and count them.
  3. Have the necessary assembly tools ready.
  4. Organize a space for assembly, wall carpeting or a blanket will protect the furniture against scratches.
  5. Never force the assembling while you put the parts together. You are recommended to tighten the screws after the furniture has been used for some time.
  6. After assembling this product, it is advisable to regularly ventilate the room for a few days.
- KEEP THE ASSEMBLY INSTRUCTION. THE RELEVANT INFORMATION YOU CAN FIND ON IT WILL HELP YOU GET IN TOUCH WITH YOUR STORE IF A PART WAS TO BE MISSING.



No.	Size	Qty	Ctn no.
1	1636*395*18	1	2-1
2	1636*395*18	1	2-1
3	1598*268*15	1	2-1
4	364*134*15	3	2-2
5	1598*70*33	1	2-1
6	678*395*18	1	2-2
7	678*395*18	1	2-2
8	518*352*15	1	2-2
9	791*352*15	1	2-1

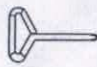


No.	Size	Qty	Ctn no.
10	477*397*18	2	2-2
11	477*397*18	2	2-2
12	337*30*15	2	2-2
13	1595*372*12	1	2-1
14	1595*372*12	1	2-1
15	372*157*12	2	2-2
01	1606*400*5	1	2-1
02	H=148	4	2-2
03	φ25*H145	1	2-2

## HARDWARE LIST

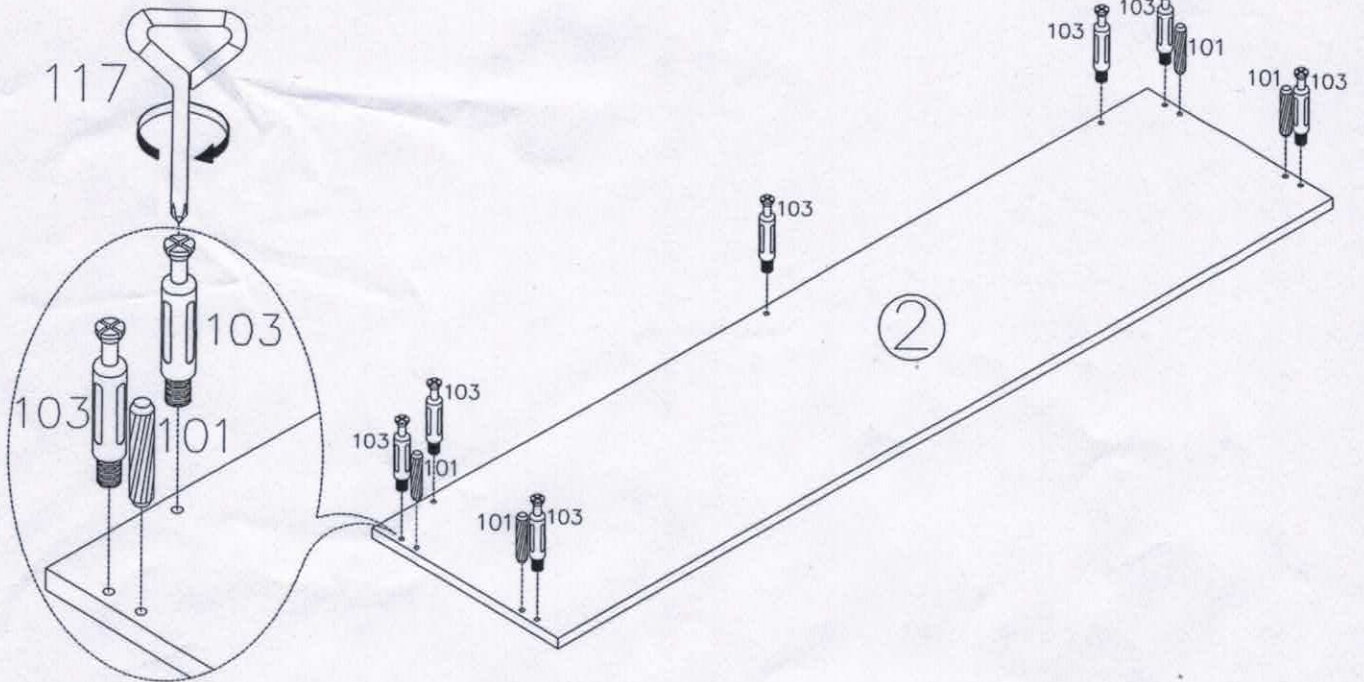
101x16  φ6X30mm	102x20  φ15*12mm	103x20  φ7*32.5mm	104x8  φ20X15	105x8  φ5X10	106x11  φ10	107x3  φ5X50mm	108x12  φ9X34mm
109x20  φ4X16mm	110x5  φ4X20mm	111x4  φ4X25mm	112x8  φ4X35mm	113x4  	114x4  	115x8  	116x8  φ3X20mm
117x1  	<p><b>OUTILLAGE:</b> </p> <p><b>TOOLS:</b> </p>						

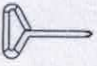





A SOFT CLOTH IS SUITABLE FOR PRODUCT CARE.

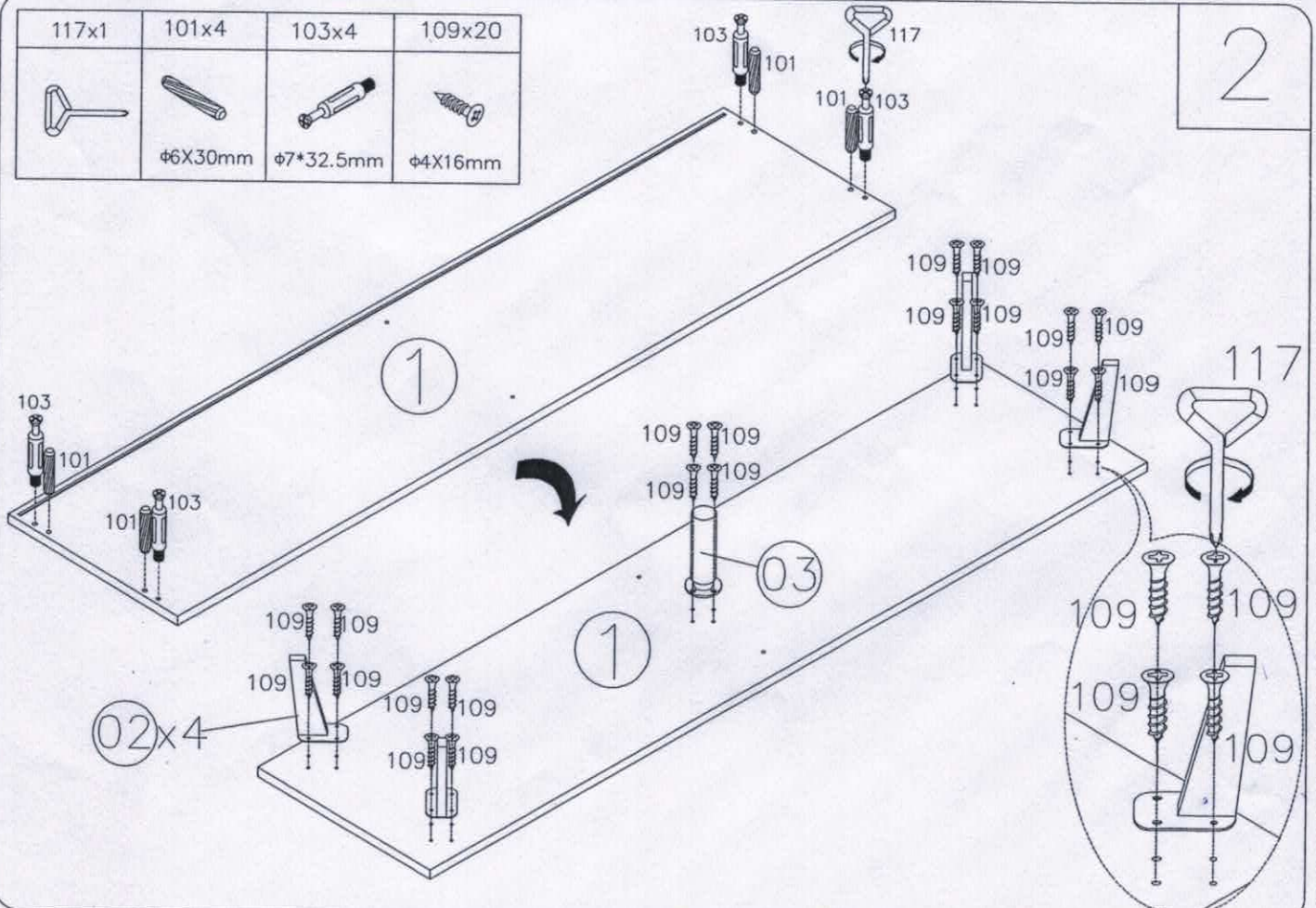
117x1	101x4	103x7
		
	φ6X30mm	φ7*32.5mm

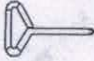



1



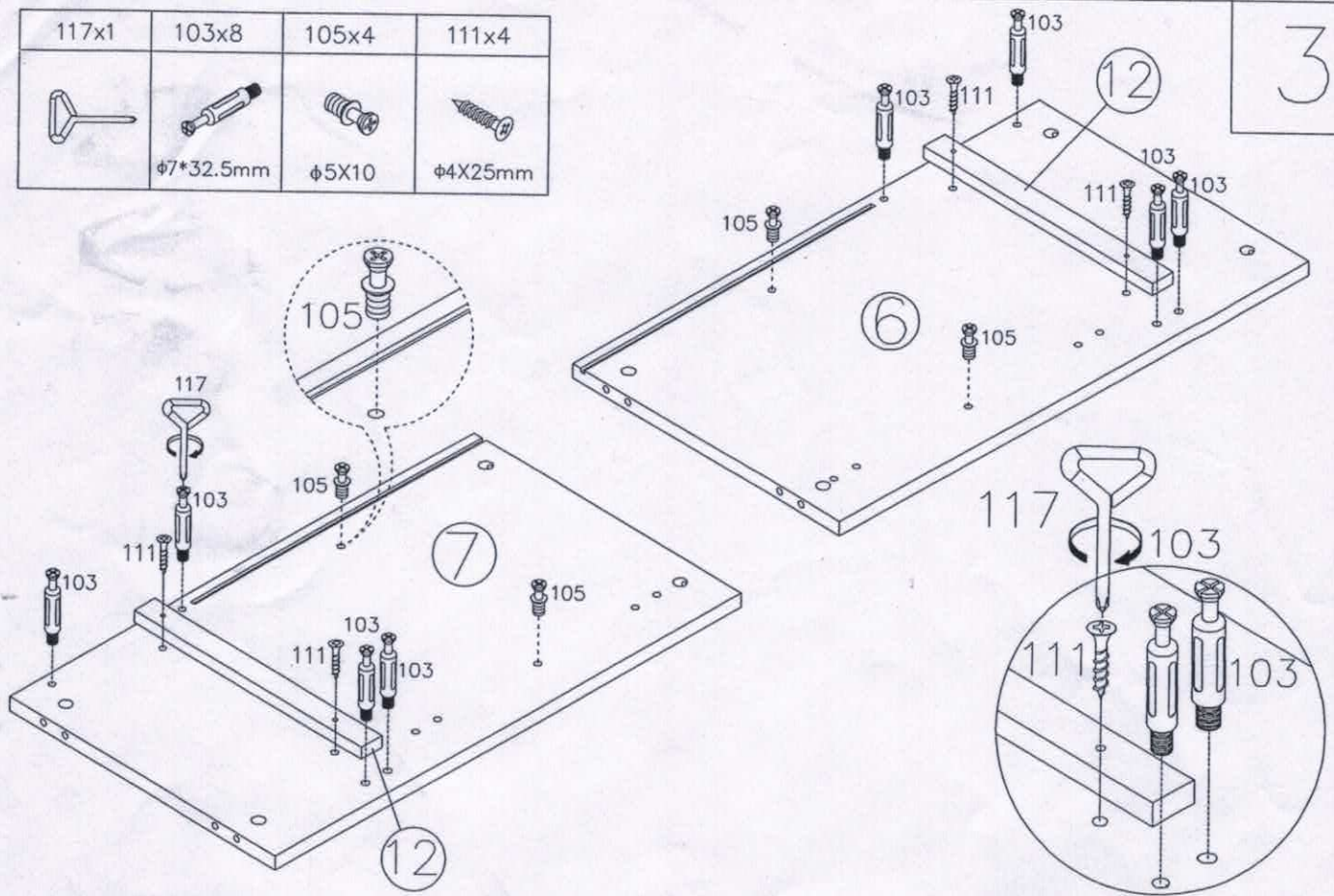
117x1	101x4	103x4	109x20
			
	φ6X30mm	φ7*32.5mm	φ4X16mm

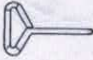

2



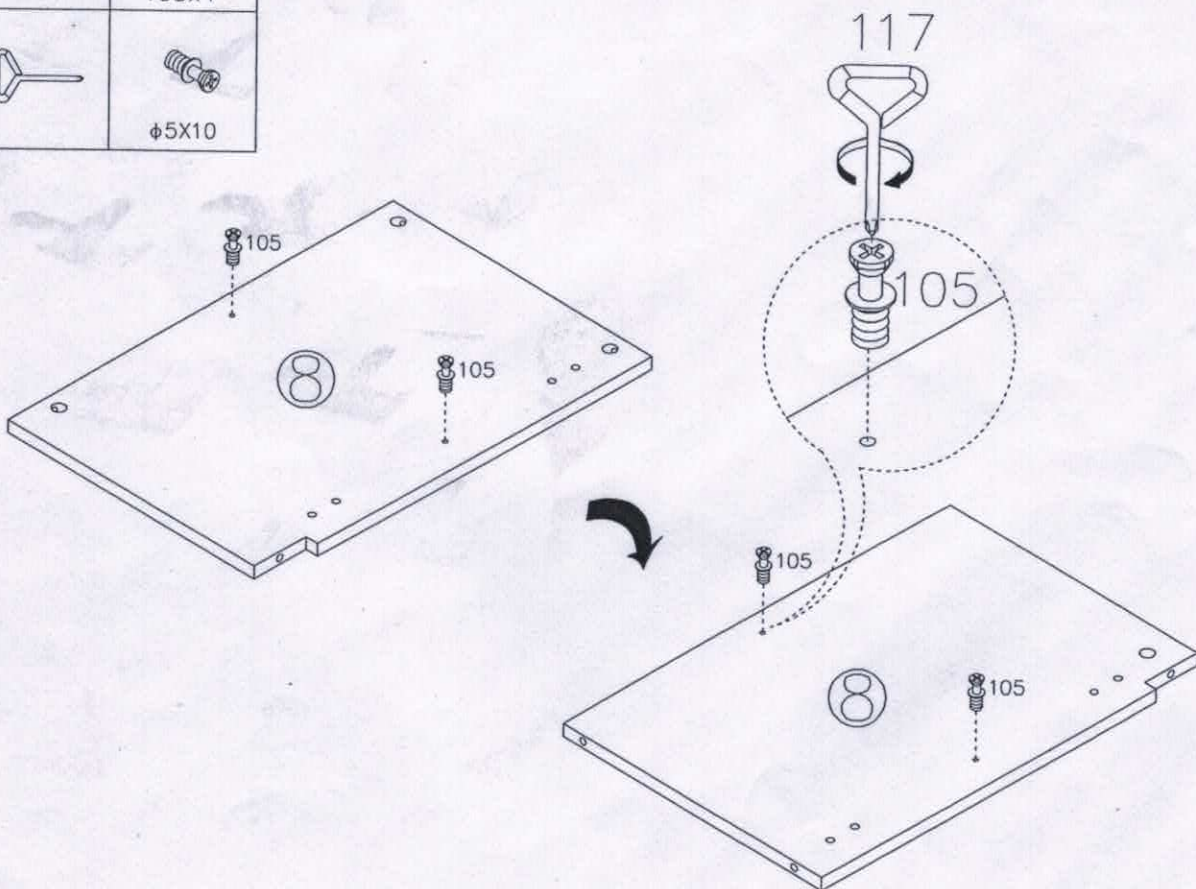
117x1	103x8	105x4	111x4
			
	φ7*32.5mm	φ5X10	φ4X25mm

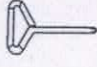




3



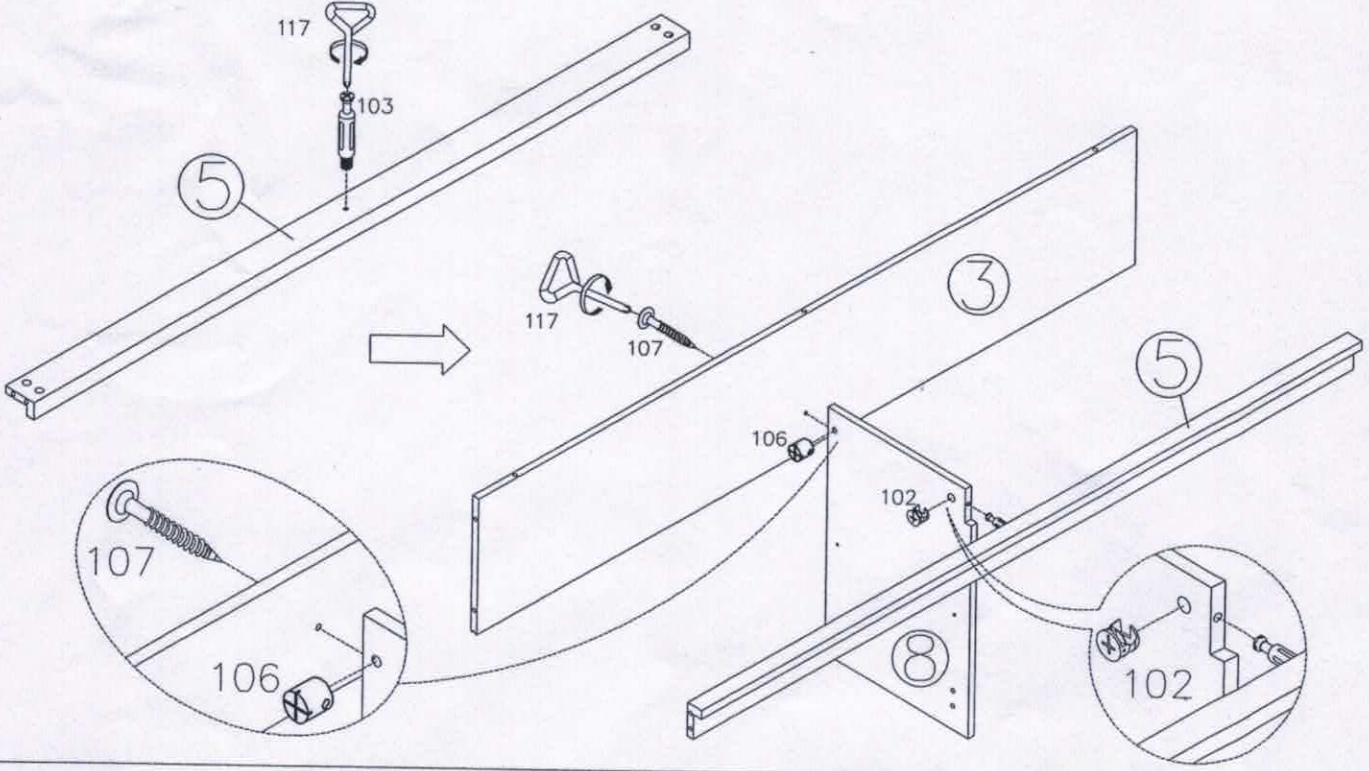
117x1	105x4
	
	φ5X10

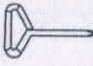

4



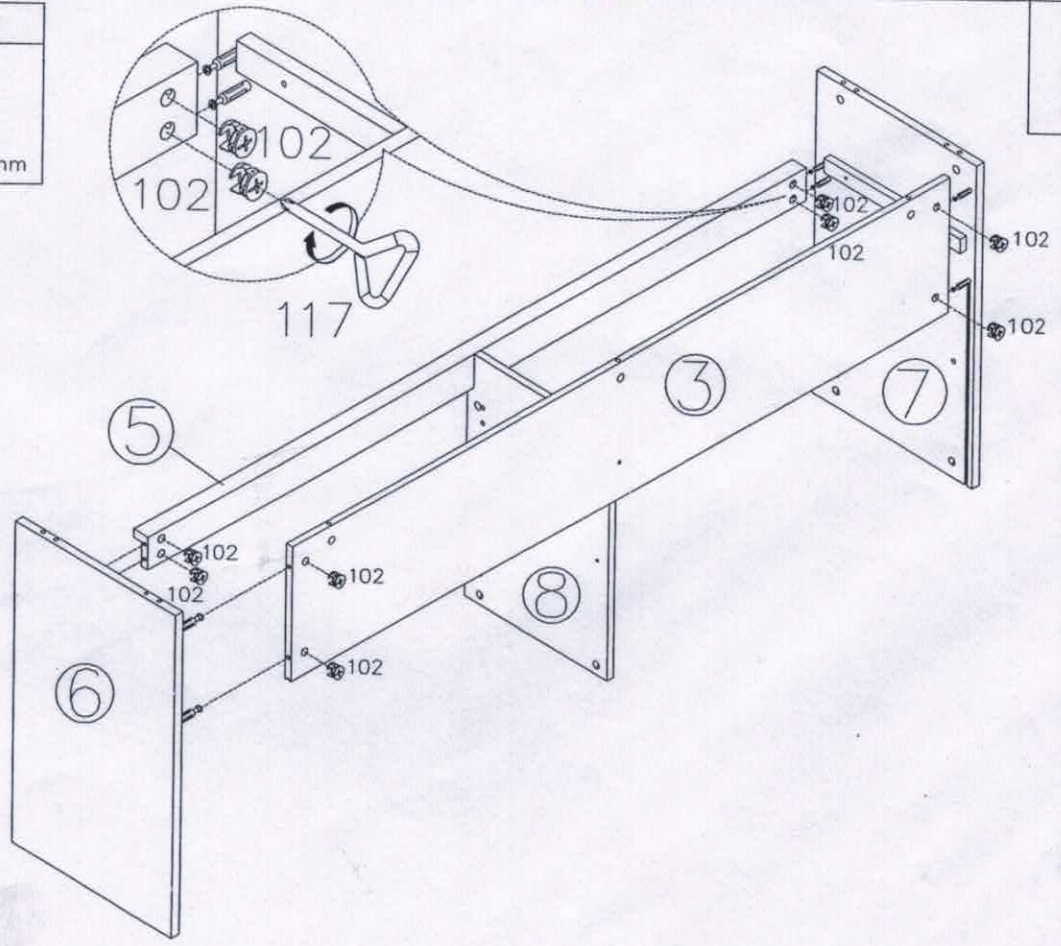
117x1	102x1	103x1	106x1	107x1
				
	φ15*12mm	φ7*32.5mm	φ10	φ5X50mm

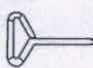



5



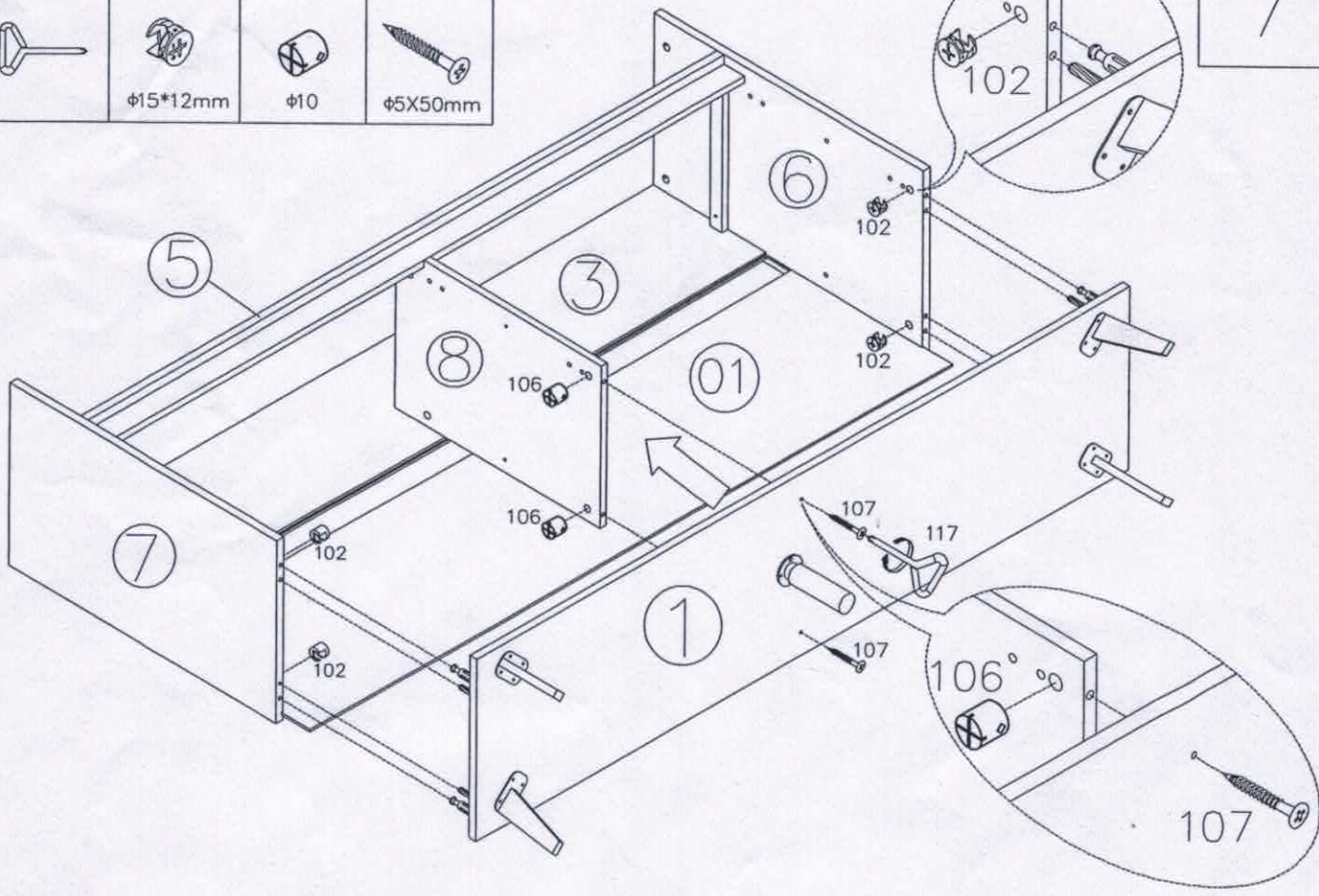
117x1	102x8
	
	φ15*12mm

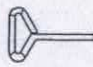

6



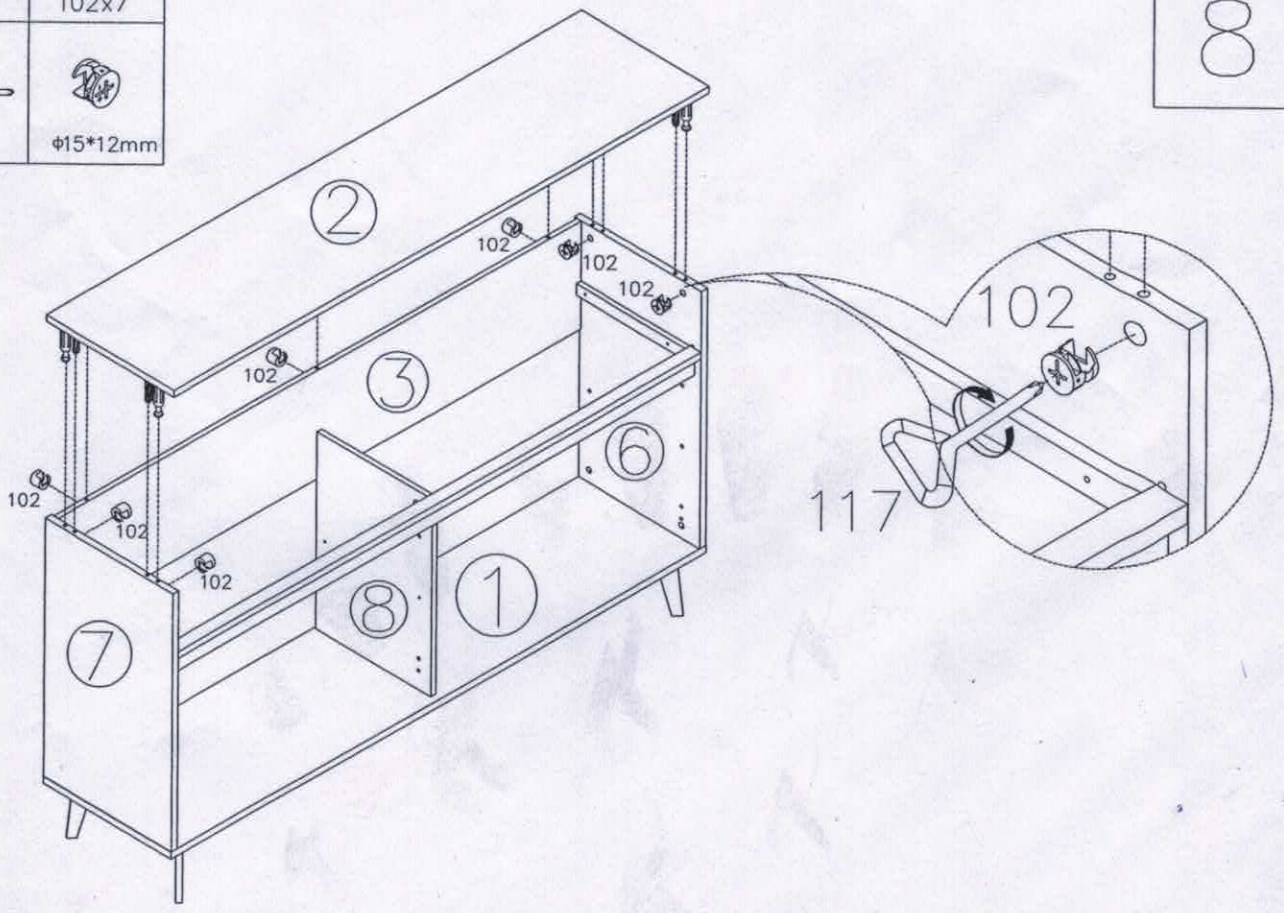
117x1	102x4	106x2	107x2
			
	φ15*12mm	φ10	φ5X50mm

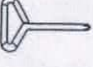

7



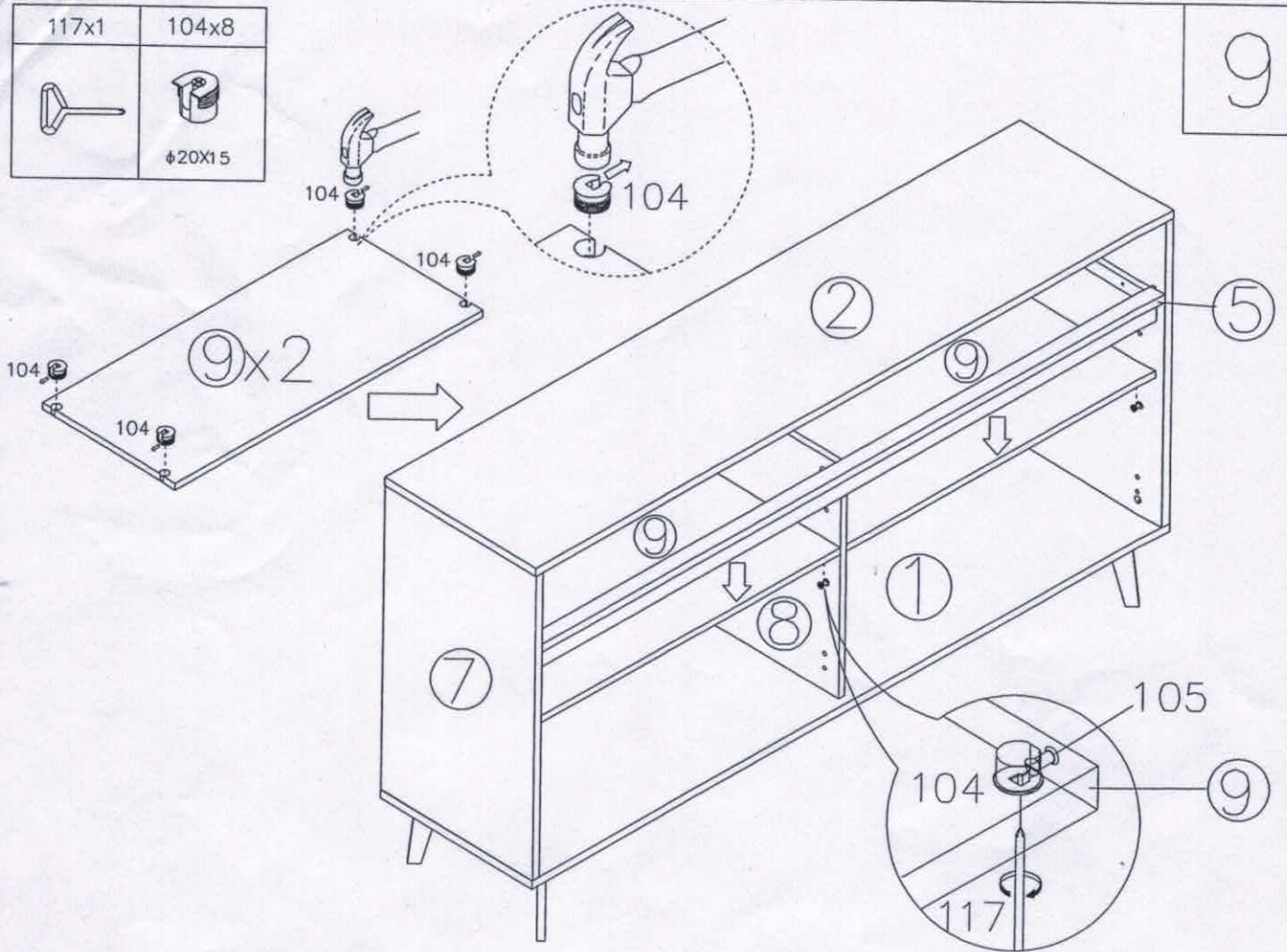
117x1	102x7
	
	φ15*12mm

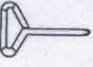

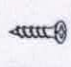
8



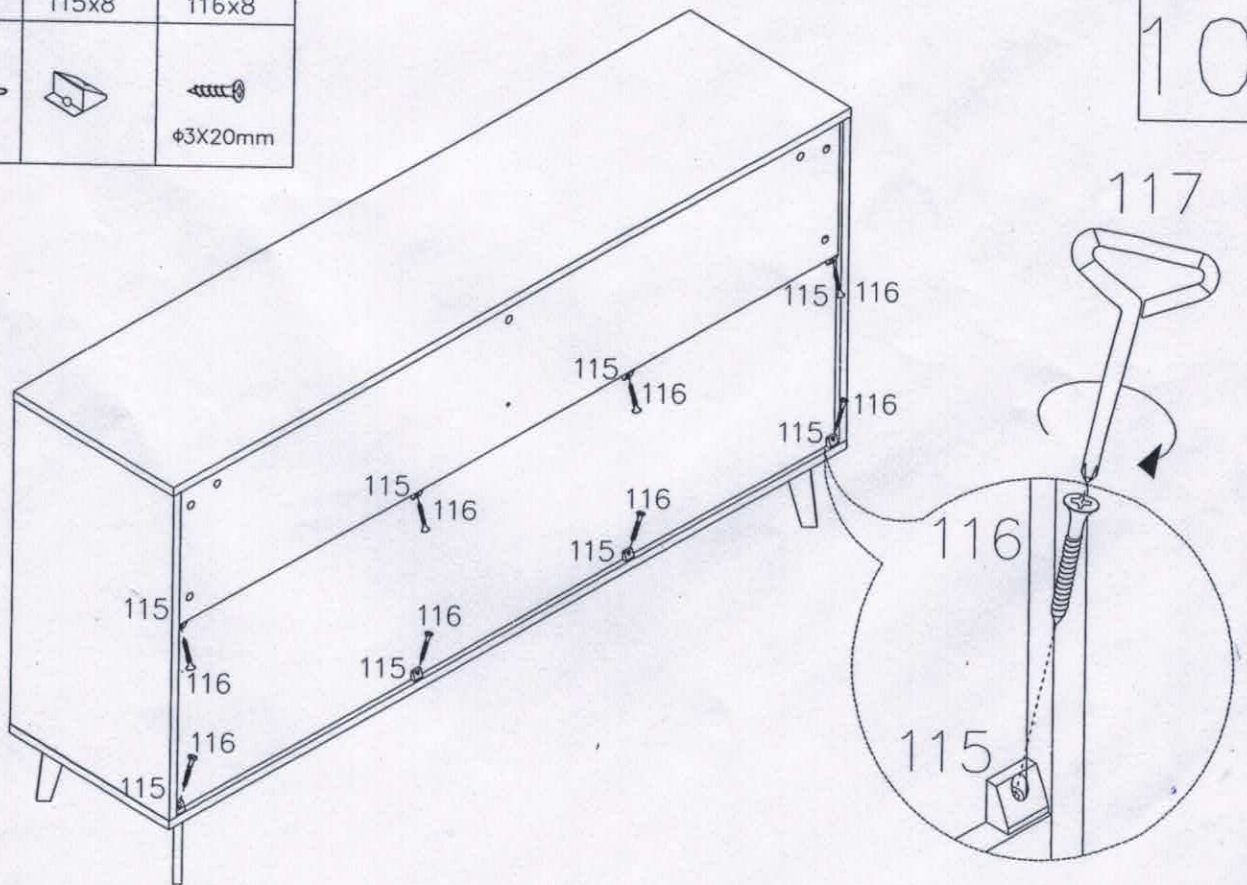
117x1	104x8
	
	φ20x15

9

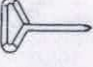



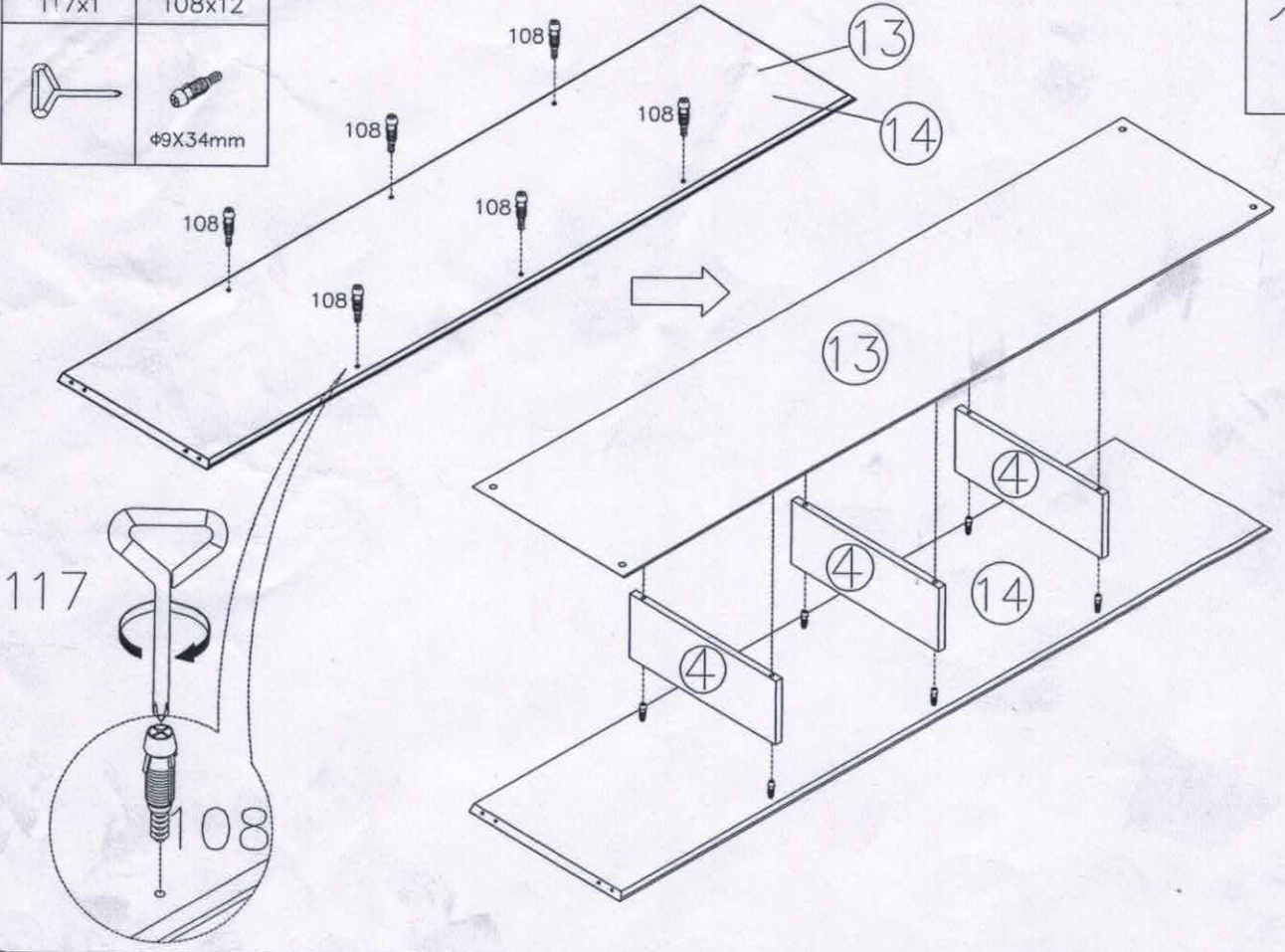
117x1	115x8	116x8
		
		φ3X20mm

10

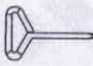





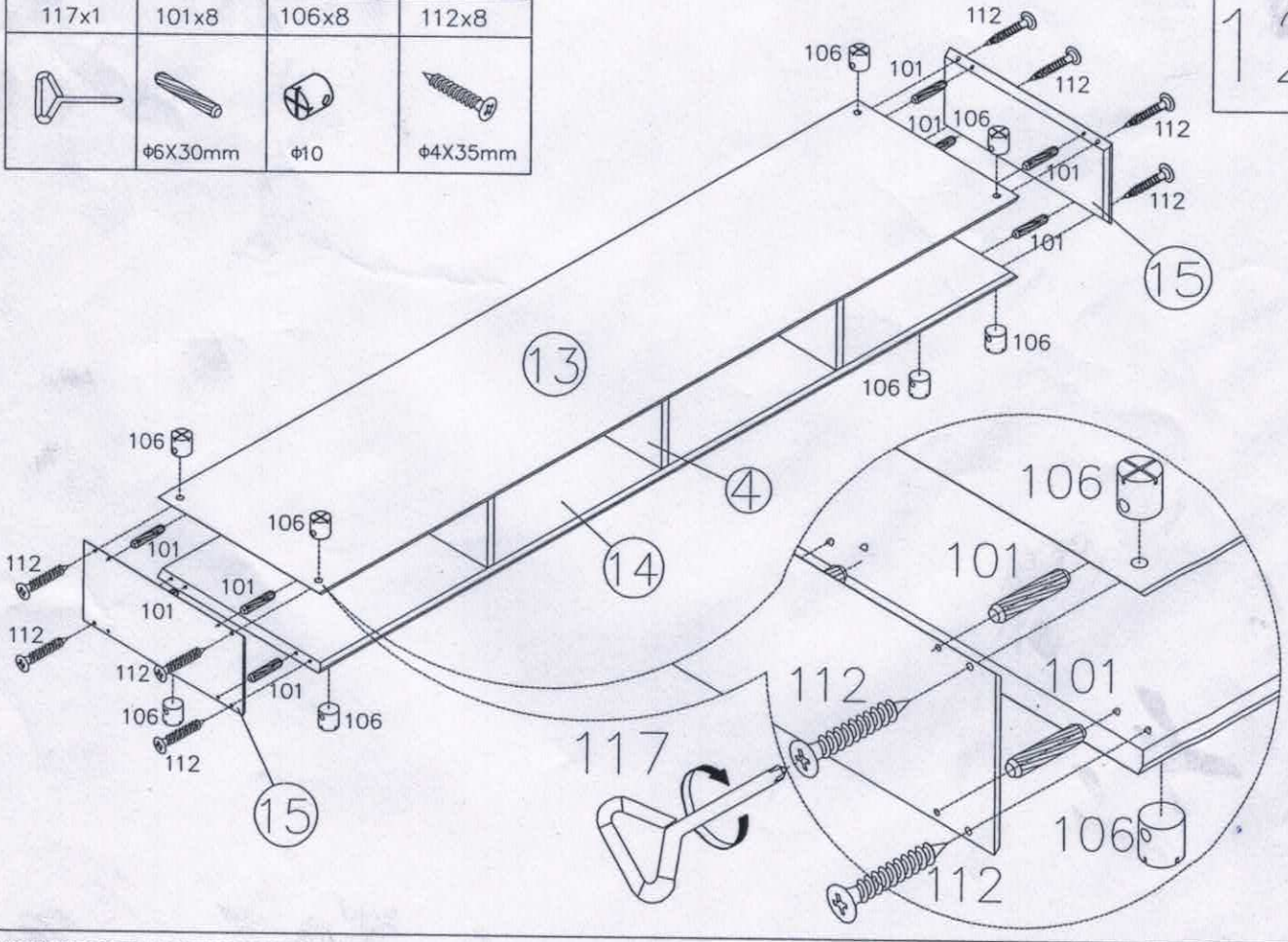
11

117x1	108x12
	
	Φ9X34mm

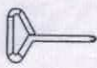



12

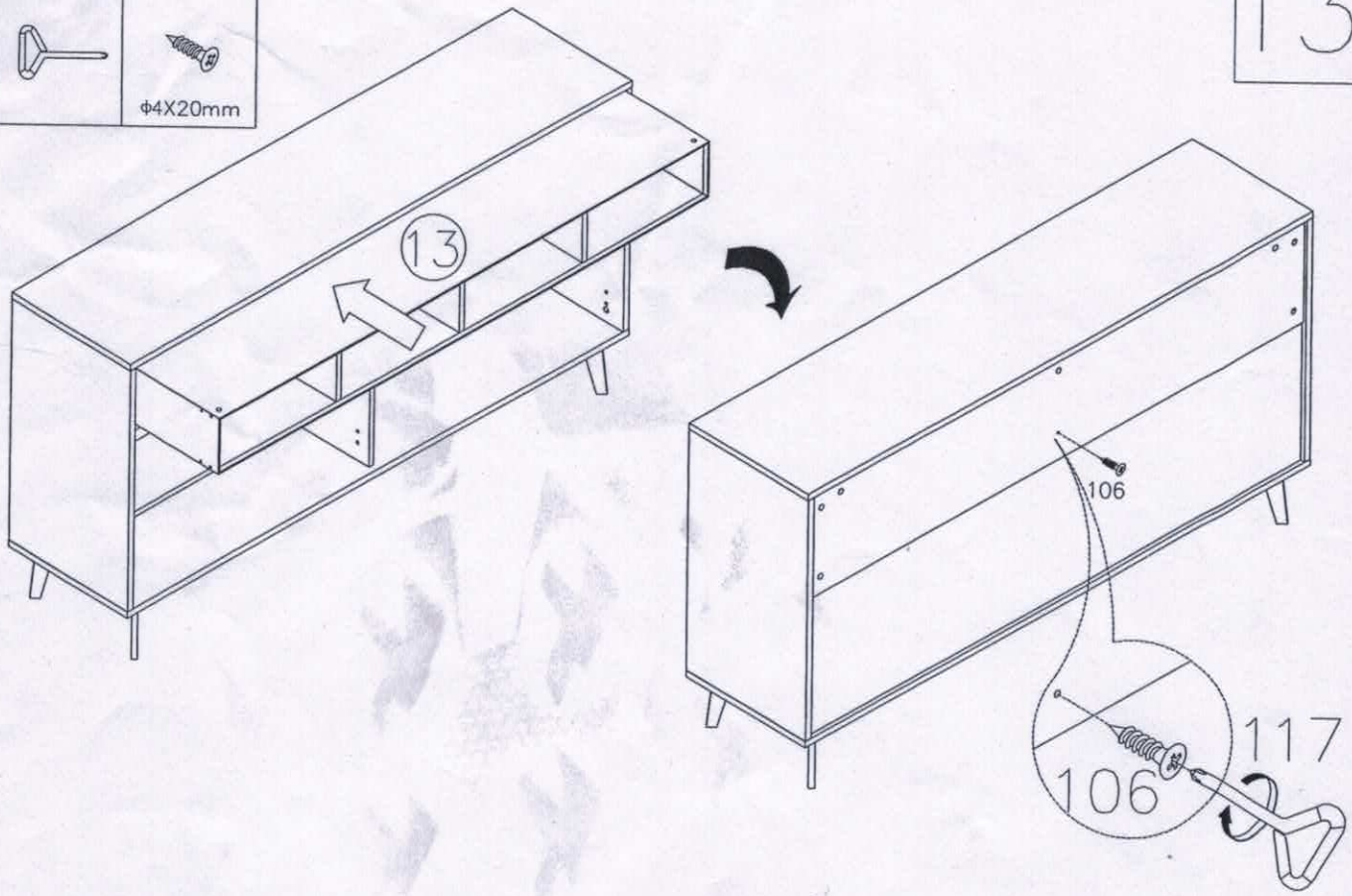
117x1	101x8	106x8	112x8
			
	Φ6X30mm	Φ10	Φ4X35mm

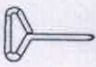






117x1	110x1
	
	φ4X20mm

13



117x1	113x4	114x4
		

14

← Adams

↑  
Regen

