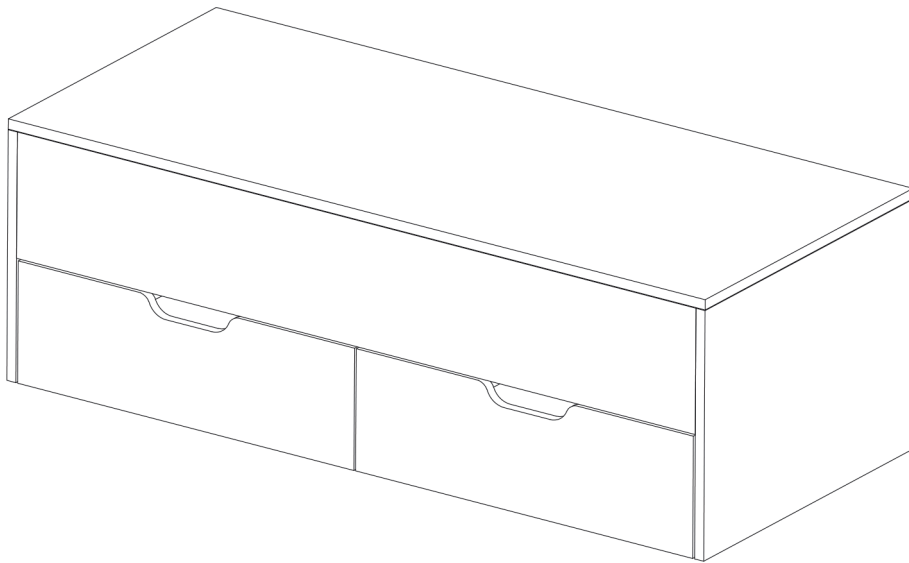


Assembly Instructions


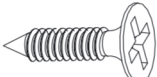




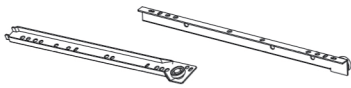
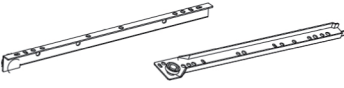
Lift Top Coffee Table

RH1909-45



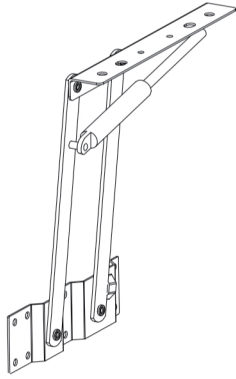
1. Please read the assembly instruction carefully before assembling and check all the parts quantity.
2. Please assemble the item according to this assembly instruction step by step.

Hardware Provided

<p>A</p>  <p>X10</p>	<p>B</p>  <p>X20</p>	<p>C</p>  <p>X26</p>
<p>D</p>  <p>X8</p>	<p>E</p>  <p>X26</p>	<p>F</p>  <p>X28</p>
<p>G</p>  <p>X2</p>		<p>H</p>  <p>X2</p>

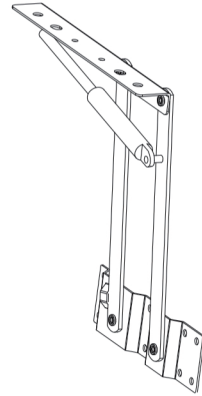
Parts Identification

J



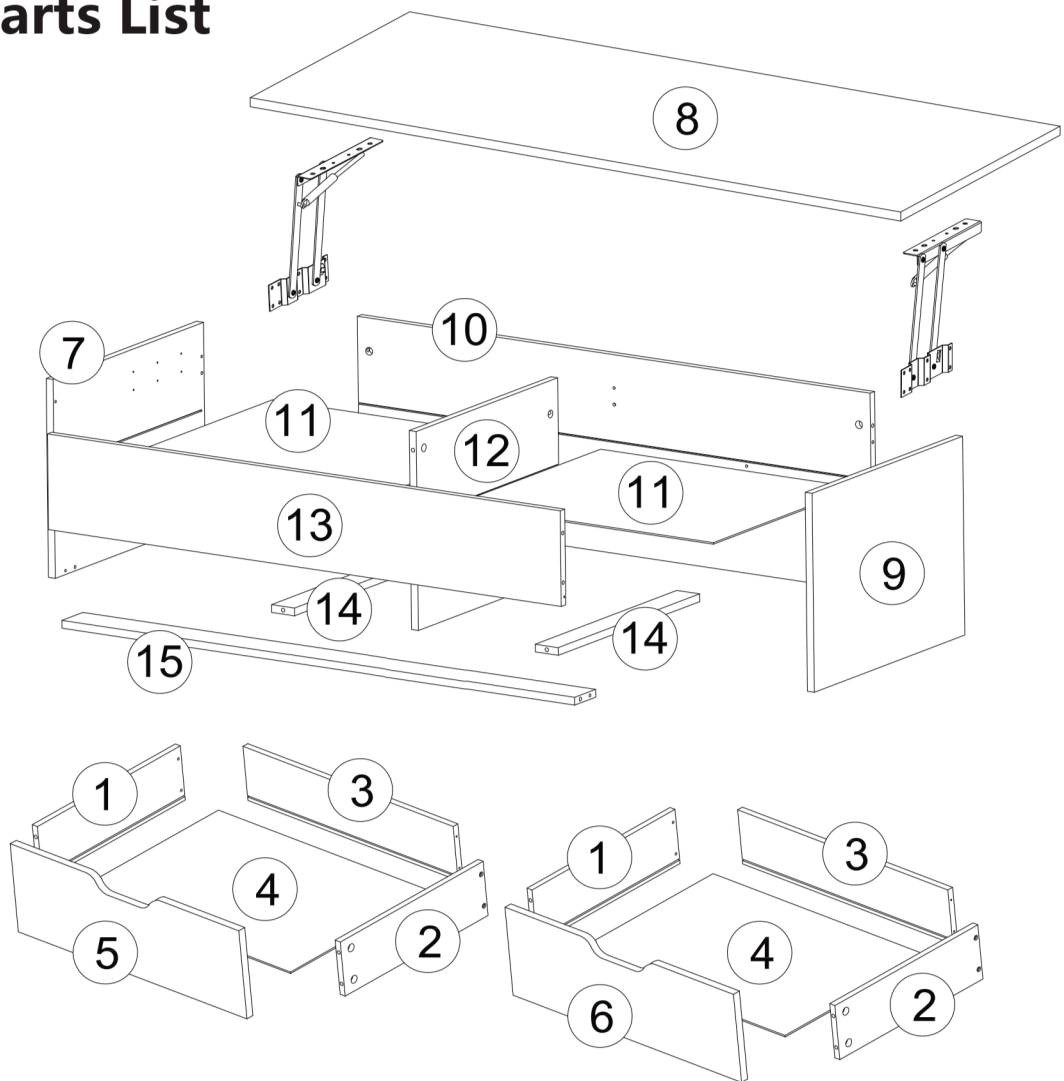
X1

K

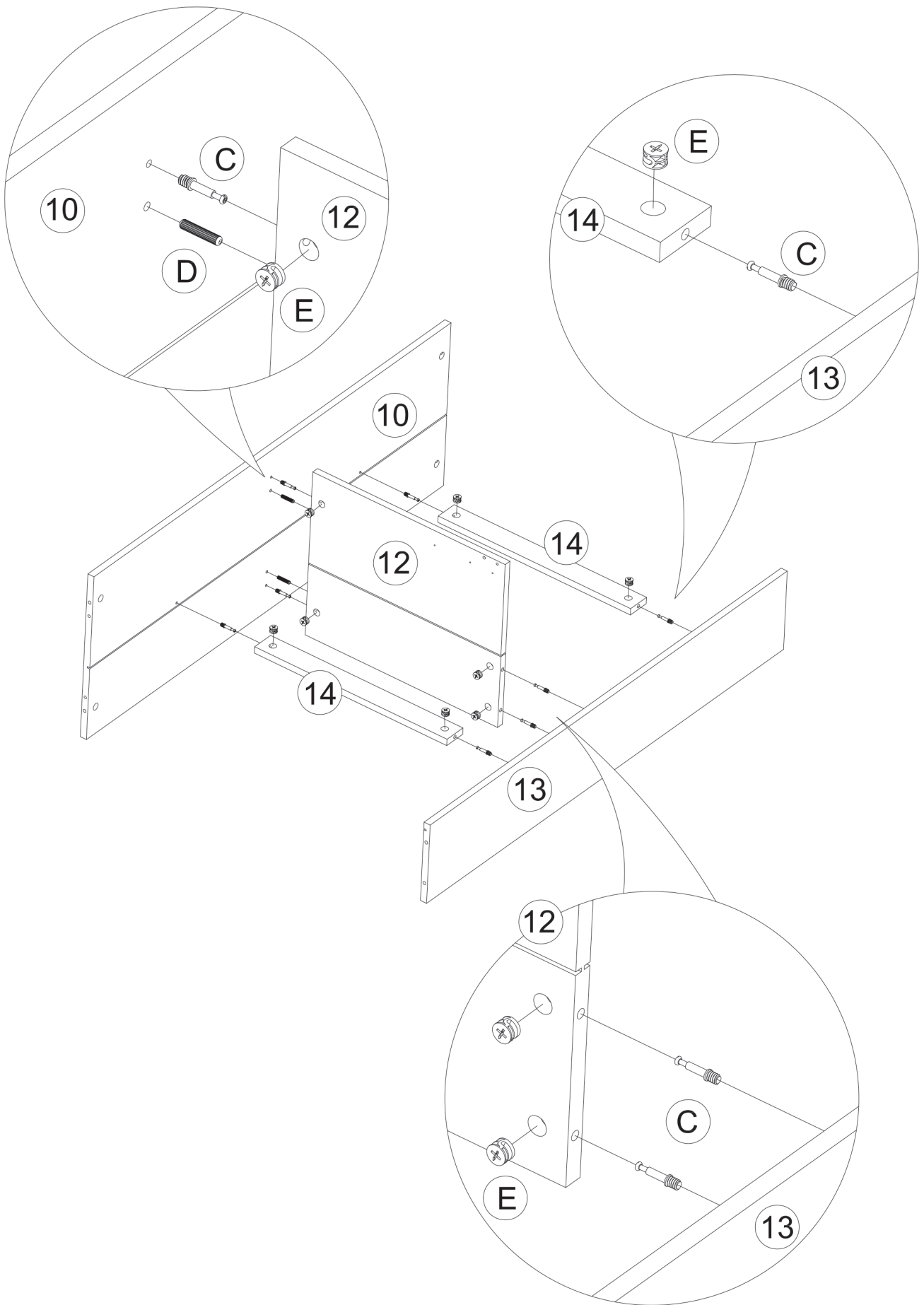


X1

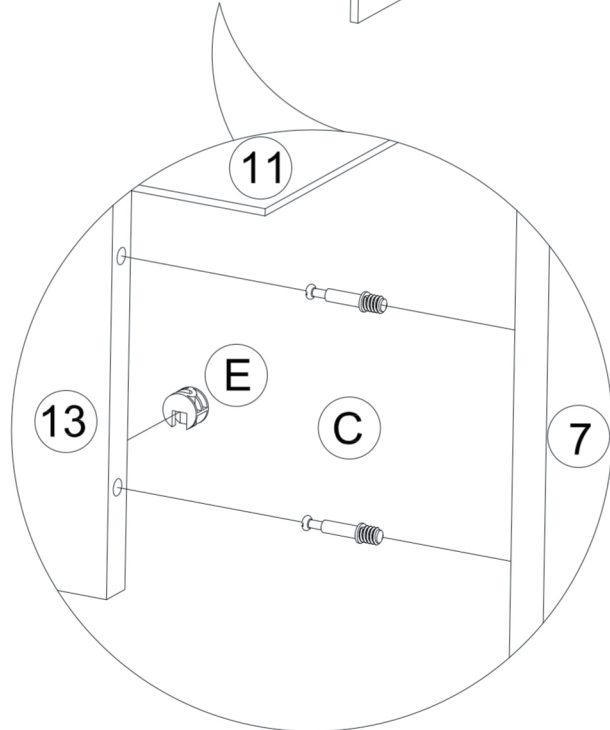
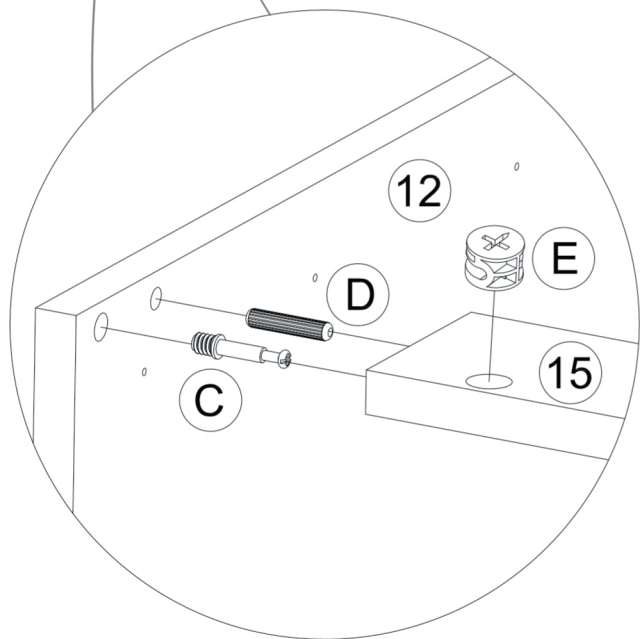
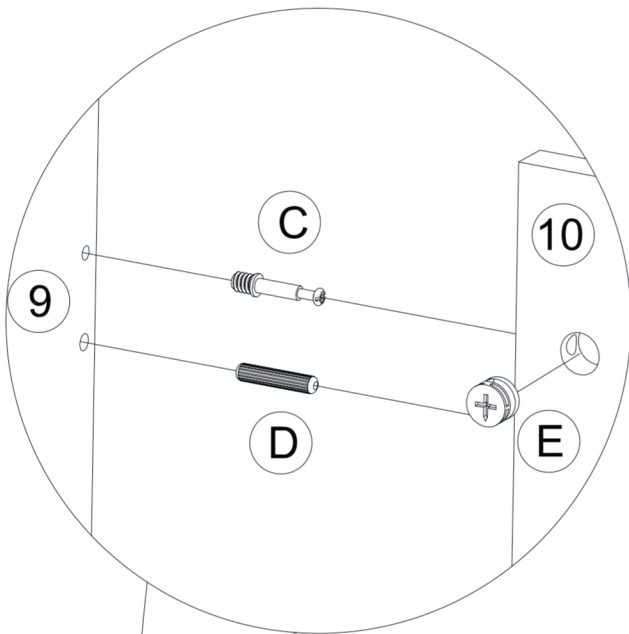
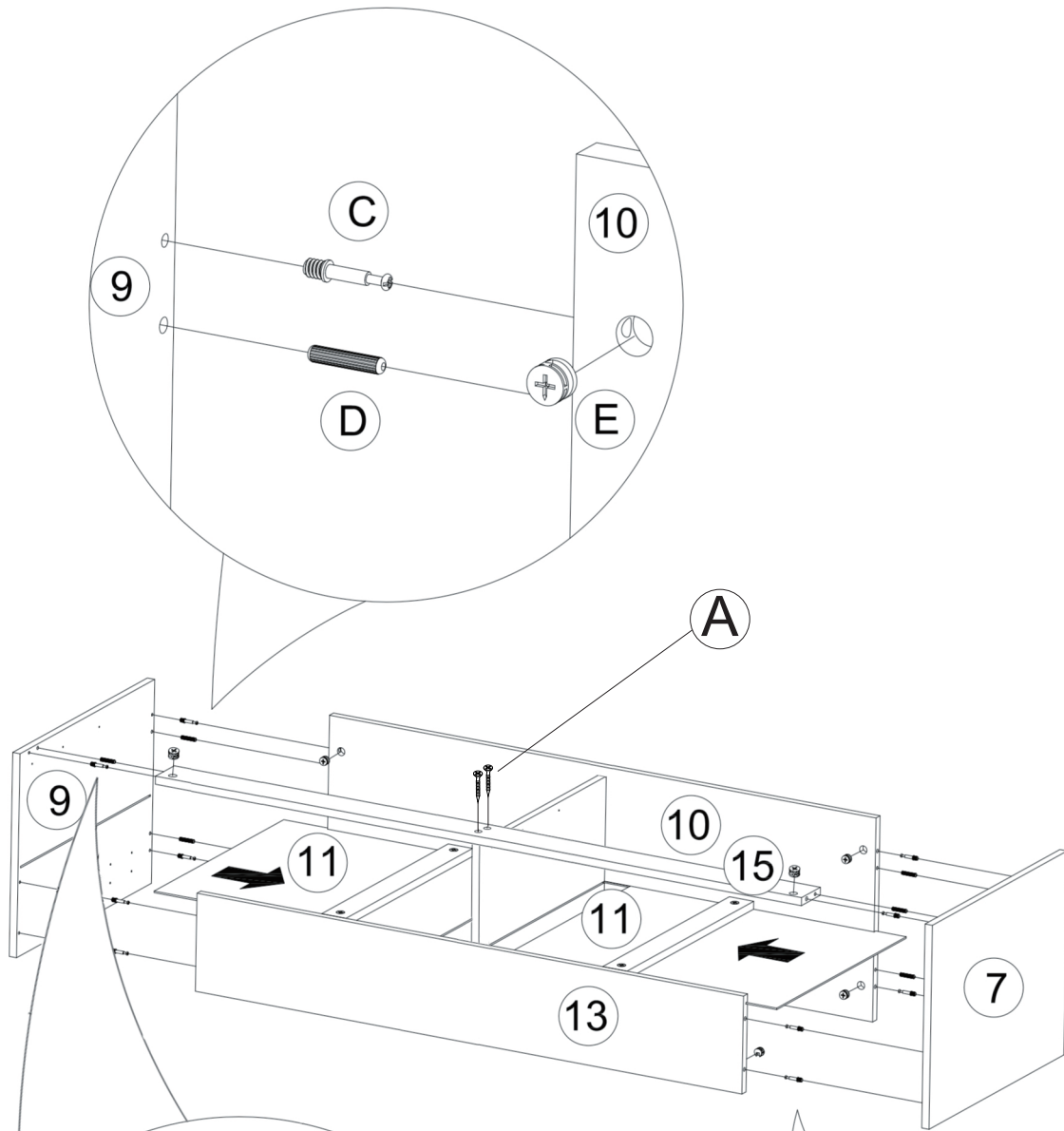
Parts List



Step 1

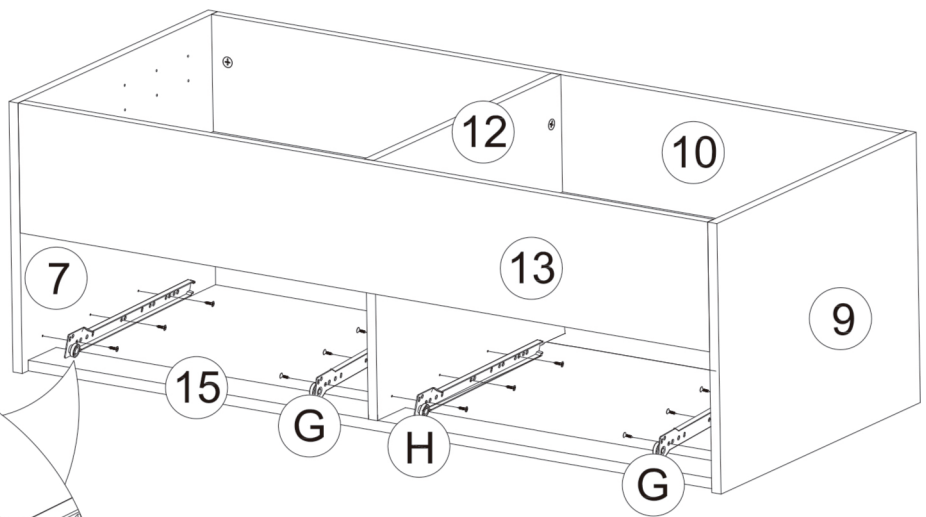


Step 2



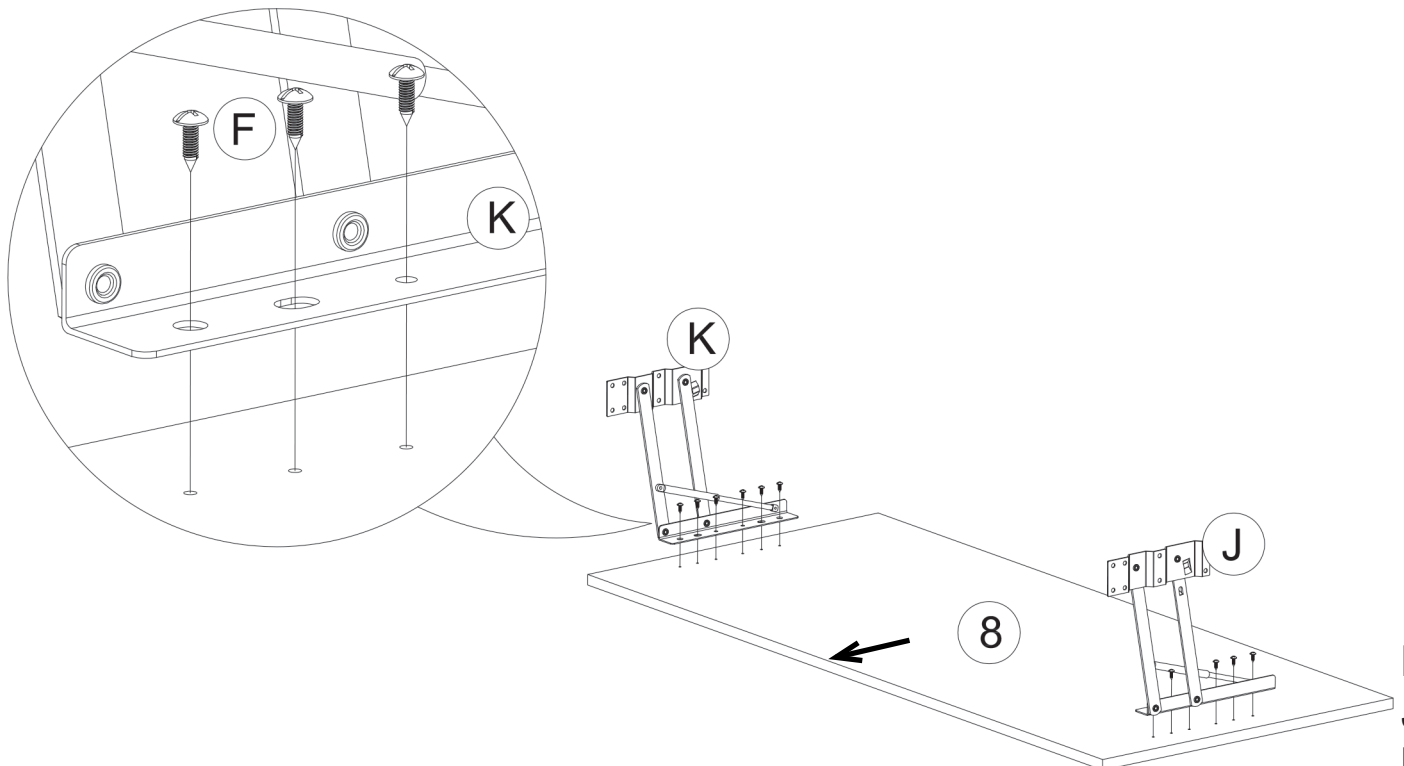
- C*10
- D*6
- E*10
- 7*1
- 9*1
- 11*2
- 15*1
- 16*1
- A*2

Step3



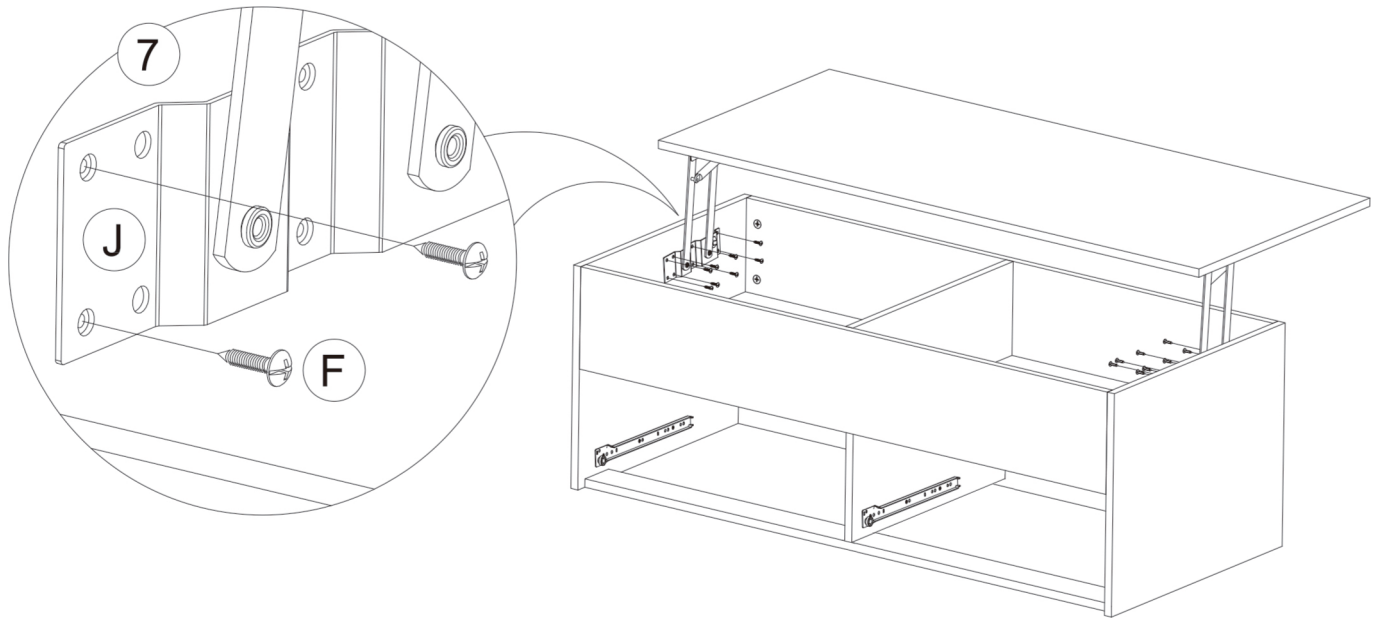
B*12
G*2
H*2

Step4



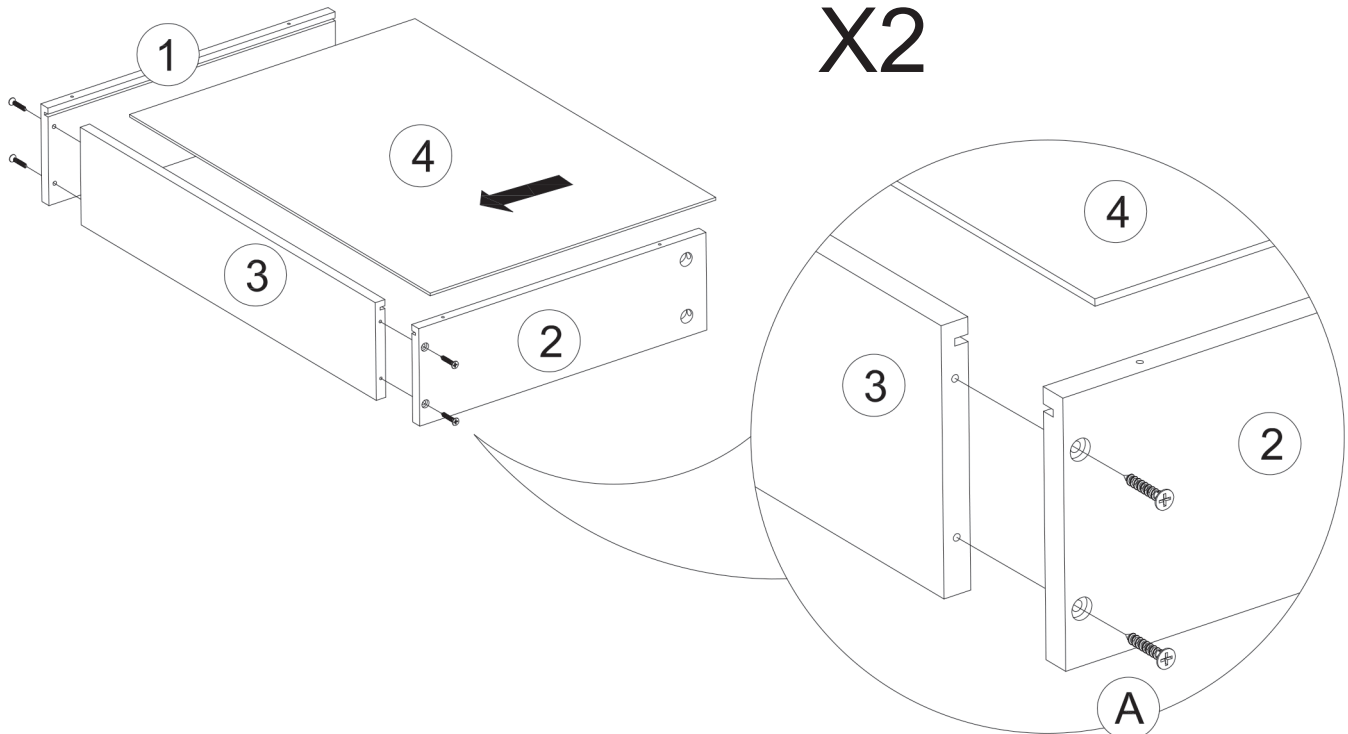
F*12
J*1
K*1
8*1

Step5



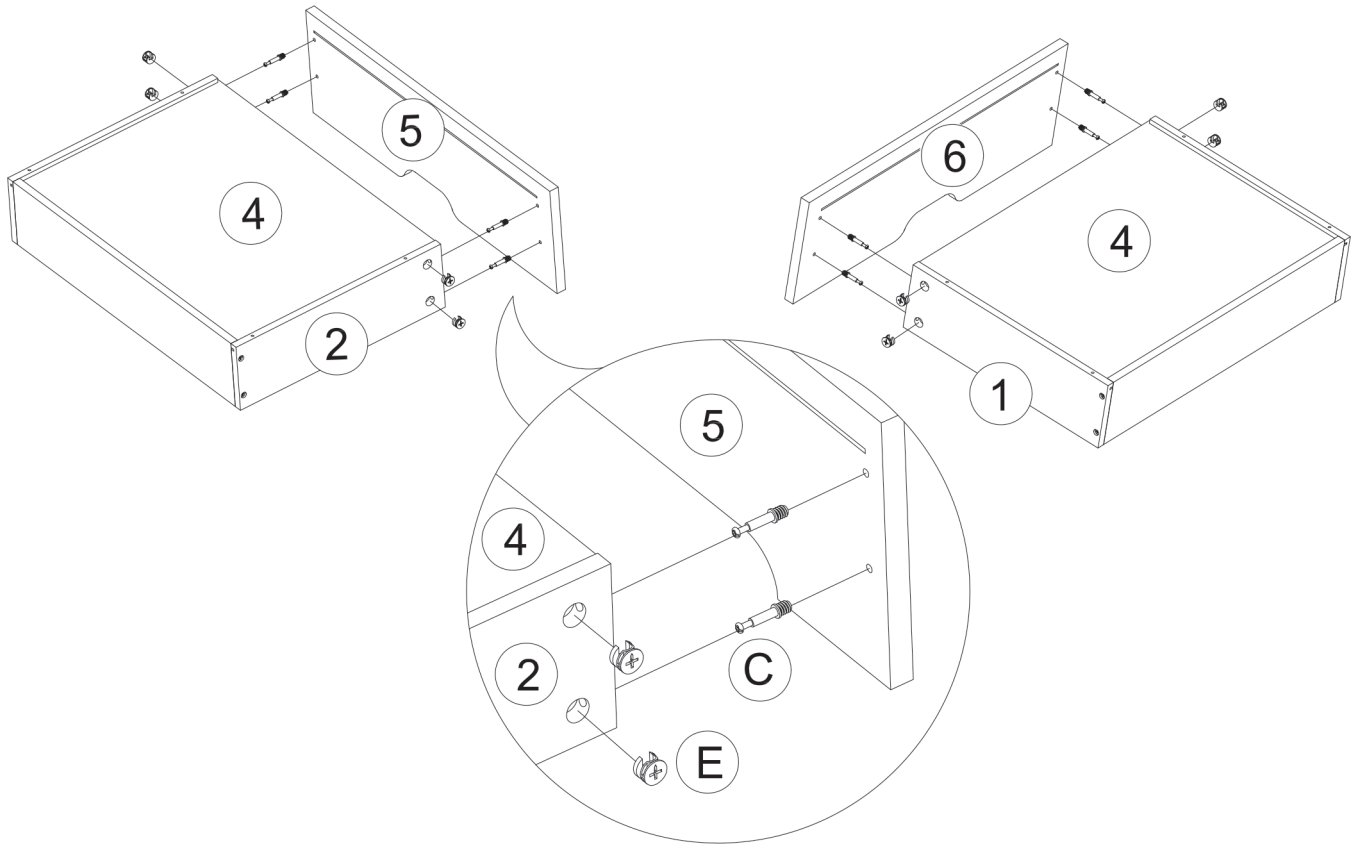
F*16

Step6



- A*8
- 1*2
- 2*2
- 3*2
- 4*2

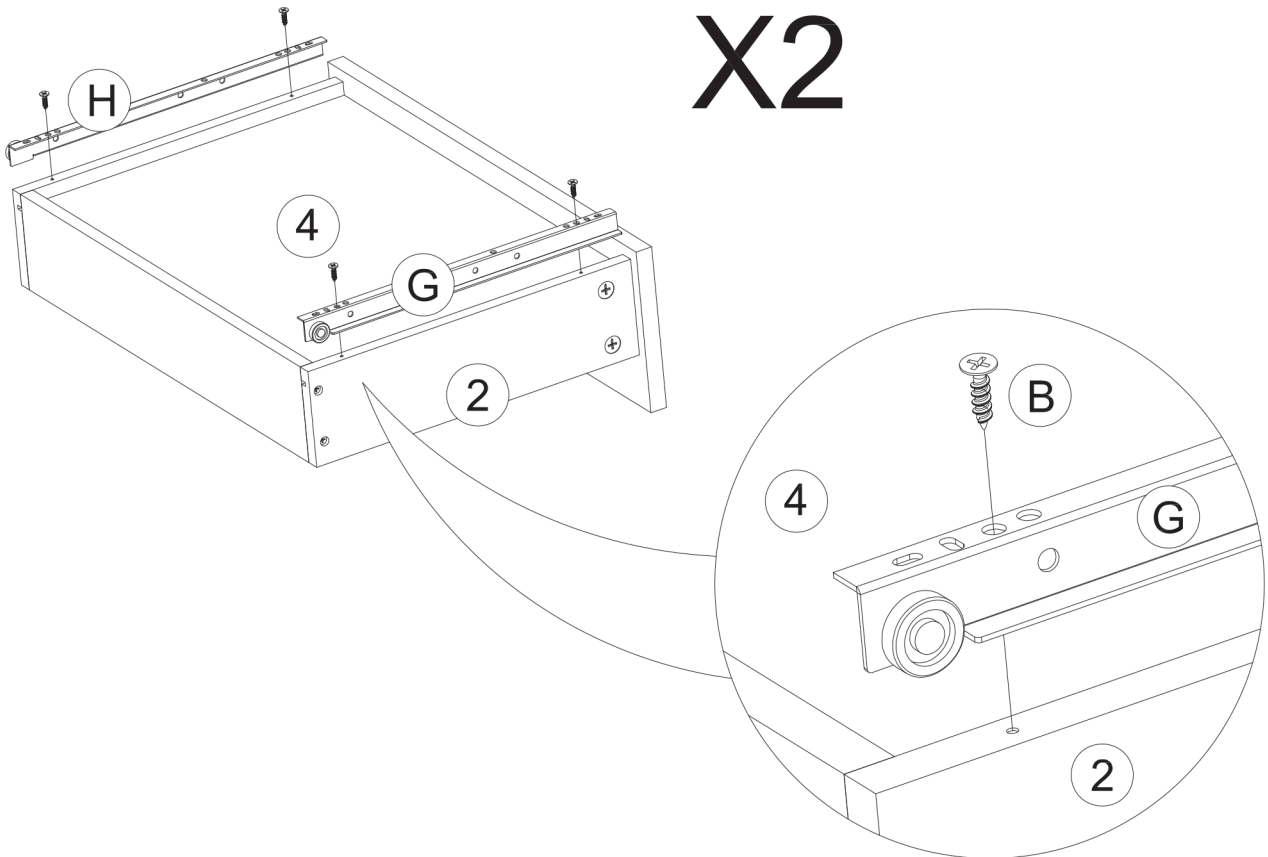
Step7



1*1
2*1
3*1
4*1
5*1
6*1
C*8
E*8

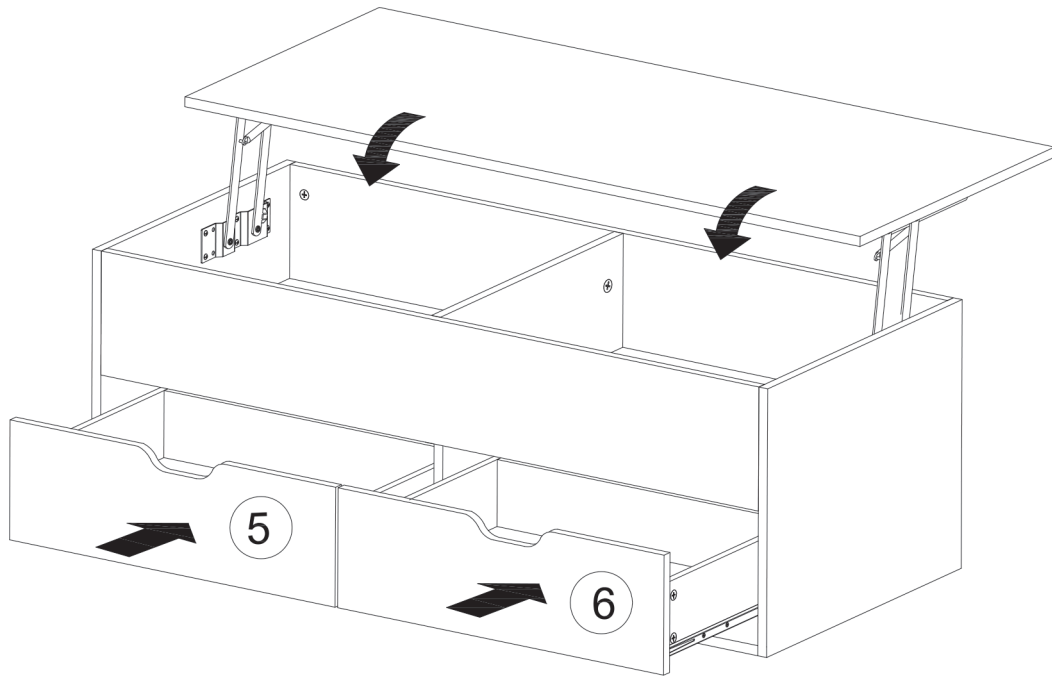
Step8

X2



B*8
H*2
G*2

Step9



Step10

