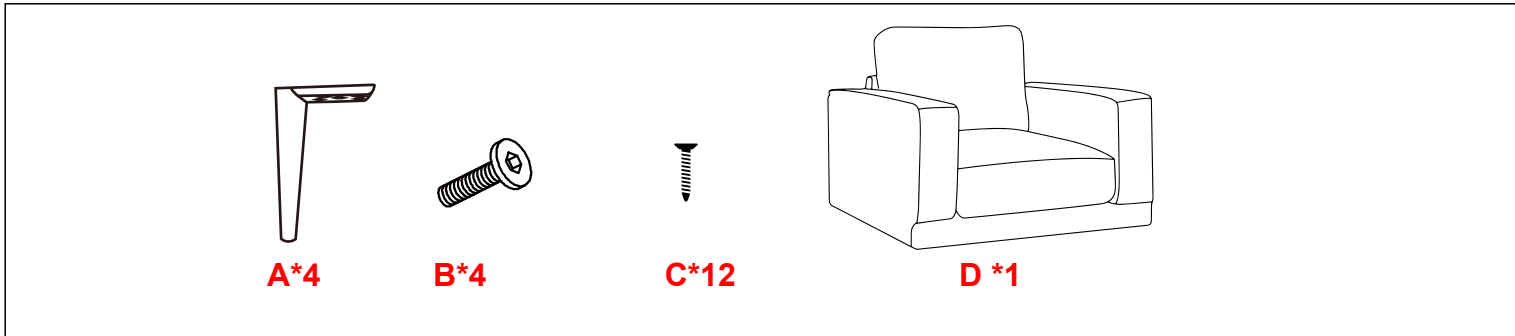


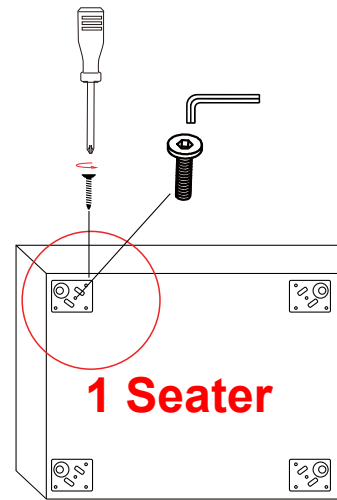
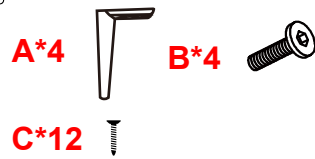
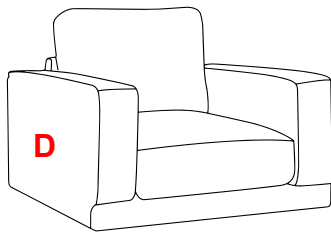
ASSEMBLY INSTRUCTION

PARTS LIST



assemble follow below steps

STEP 1



STEP 2

