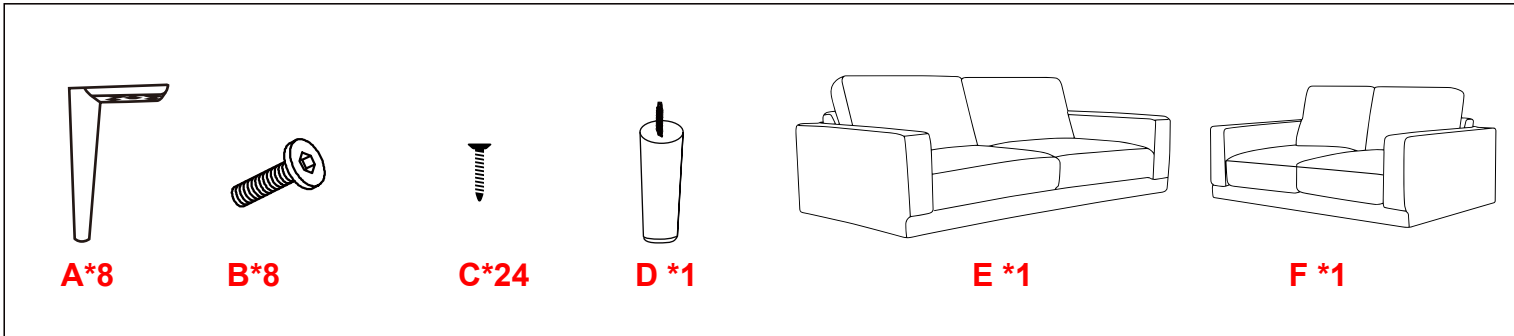


# ASSEMBLY INSTRUCTION

## PARTS LIST



assemble the follow below steps

