
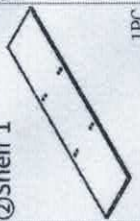
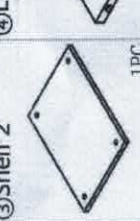
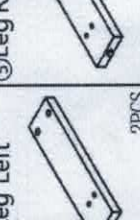

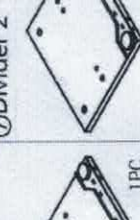

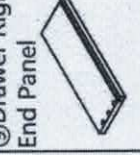


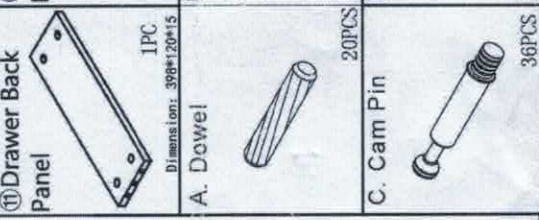
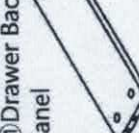




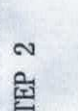


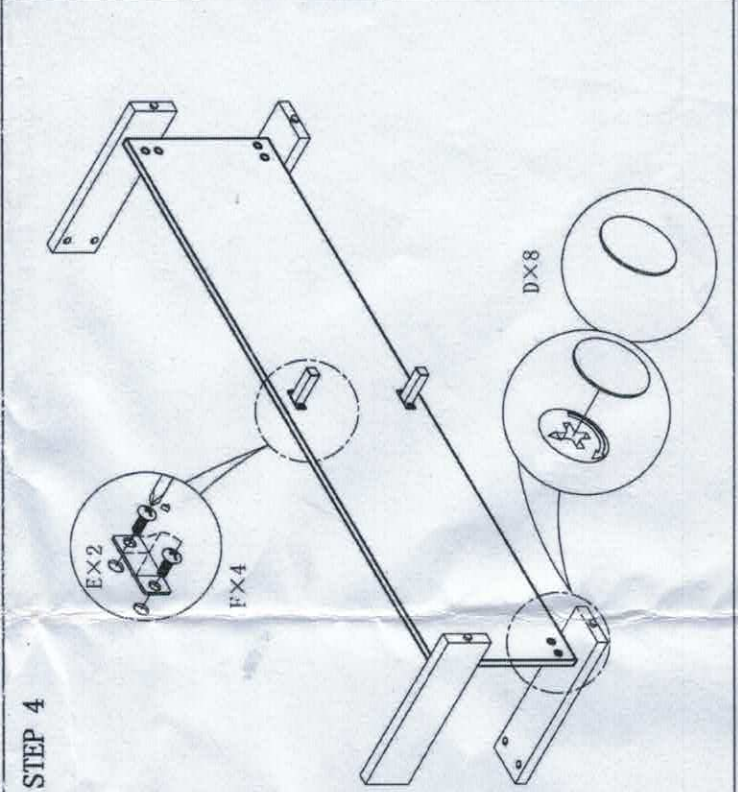
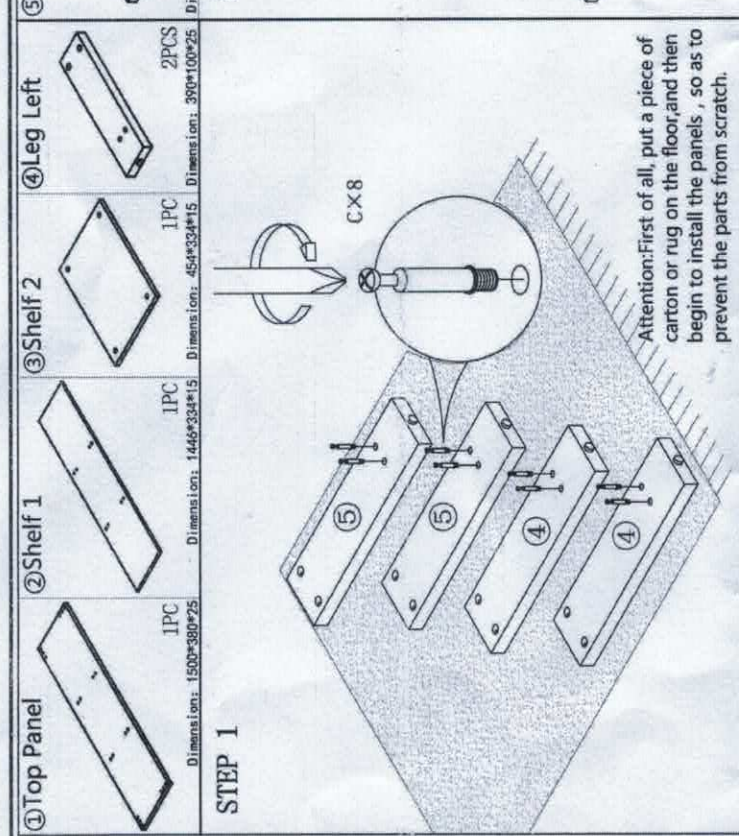
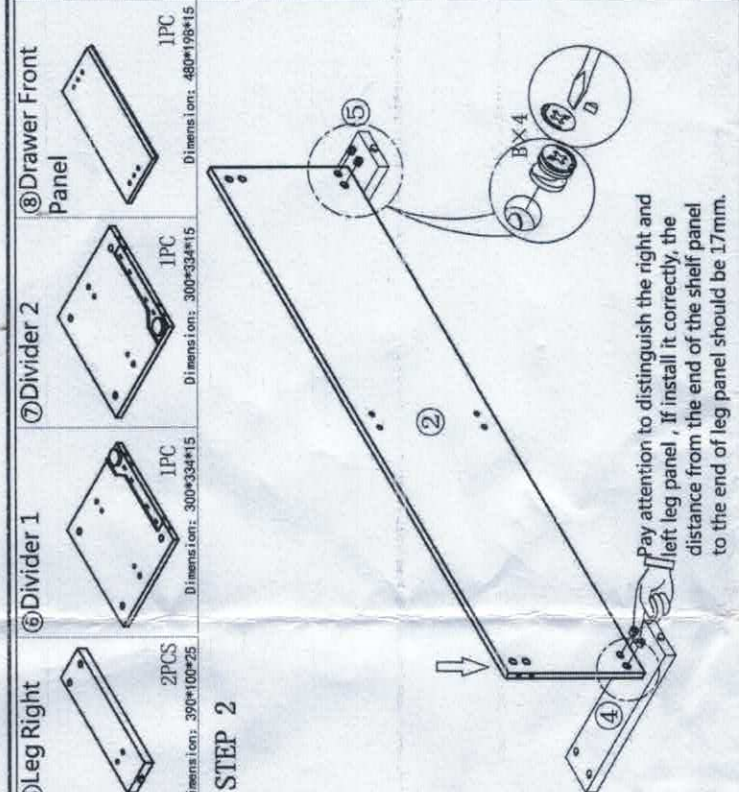
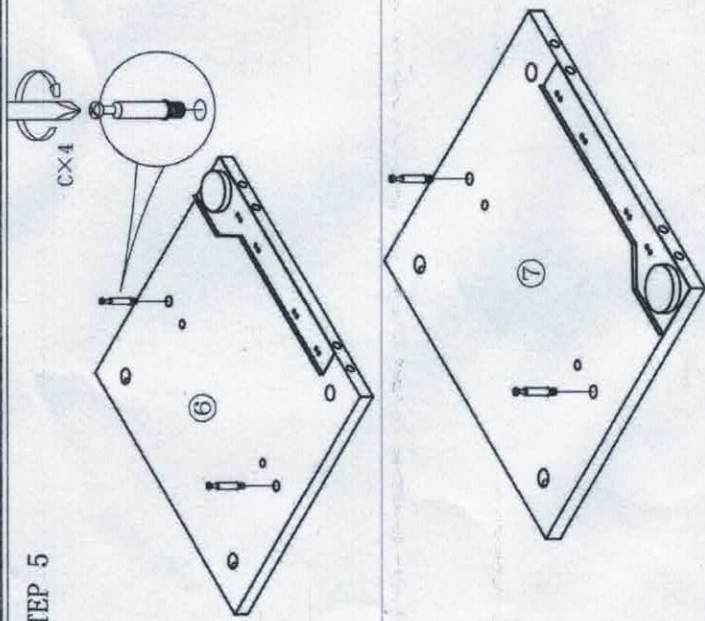


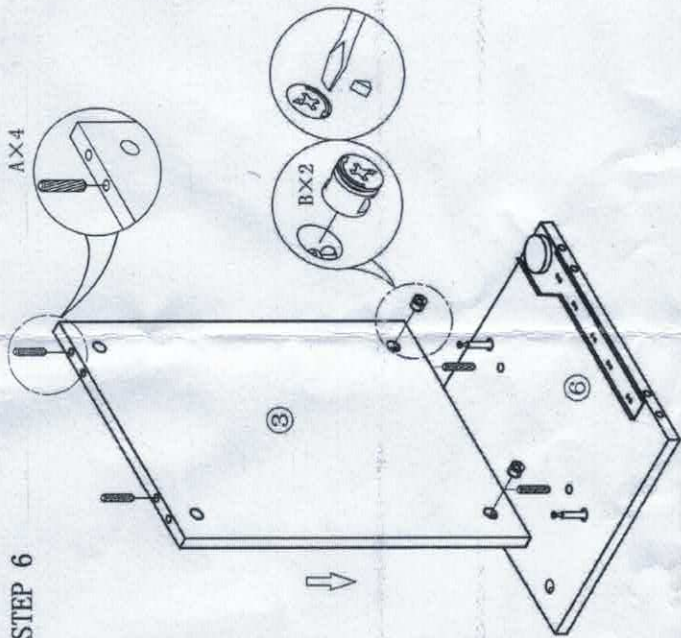
<b>① Top Panel</b>  1PC Dimension: 1500*380*25	<b>② Shelf 1</b>  1PC Dimension: 1446*334*15	<b>③ Shelf 2</b>  1PC Dimension: 454*334*15	<b>④ Leg Left</b>  2PCS Dimension: 390*100*25	<b>⑤ Leg Right</b>  2PCS Dimension: 390*100*25	<b>⑥ Divider 1</b>  1PC Dimension: 300*334*15	<b>⑦ Divider 2</b>  1PC Dimension: 300*334*15	<b>⑧ Drawer Front Panel</b>  1PC Dimension: 480*198*15	<b>⑨ Drawer Right End Panel</b>  1PC Dimension: 330*120*15	<b>⑩ Drawer Left End Panel</b>  1PC Dimension: 330*120*15				
<b>STEP 1</b> 					<b>⑪ Drawer Back Panel</b>  1PC Dimension: 398*120*15	<b>A. Dowel</b>  20PCS	<b>B. Cam Lock</b>  36PCS	<b>C. Cam Pin</b>  36PCS	<b>D. Cam Cover</b>  36PCS	<b>E. Center supports</b>  2PCS	<b>F. Screw</b>  4PCS	<b>G.</b>  1X	<b>Model:</b> GF523-1504 <b>Dimension:</b> 1500*380*420H <b>Product name:</b> TV Stand



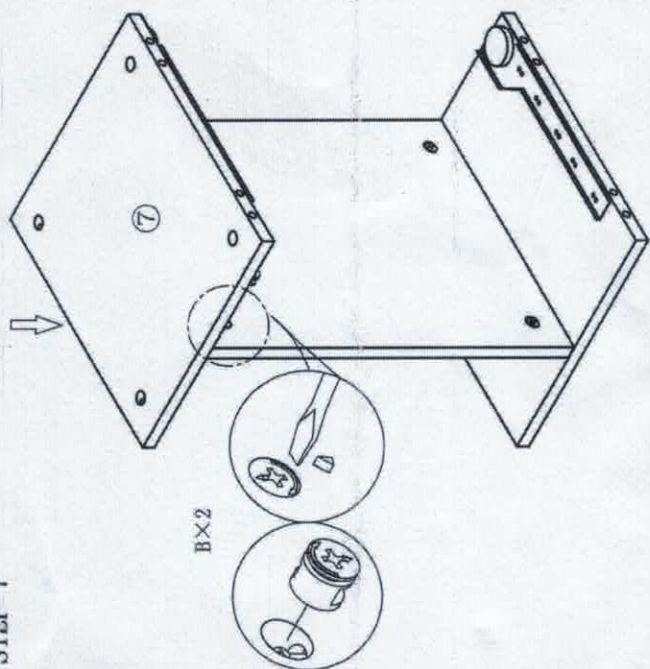
STEP 5



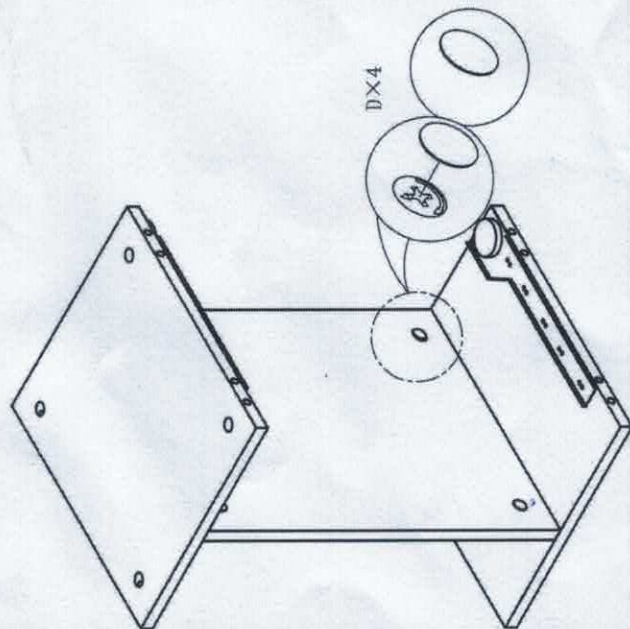
STEP 6



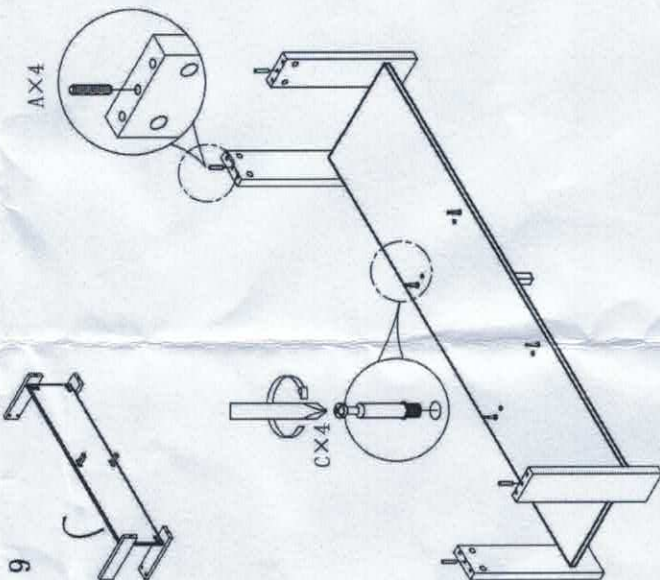
STEP 7



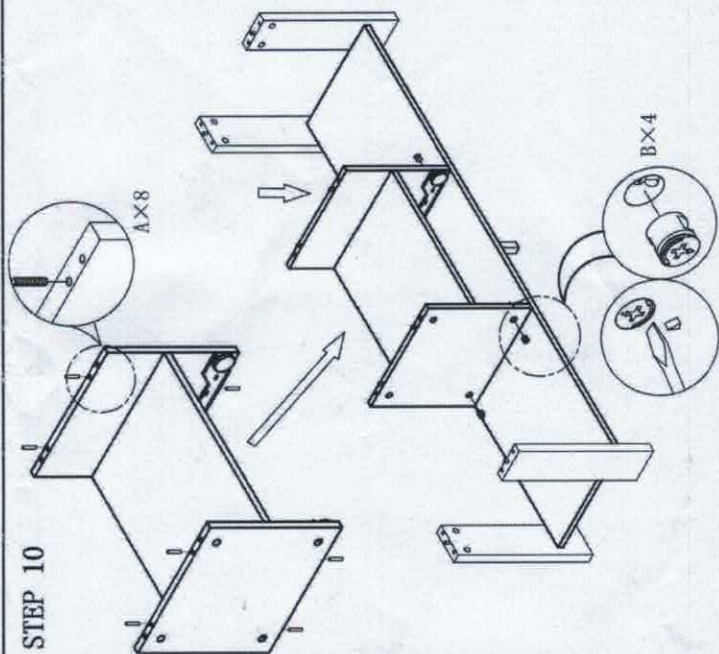
STEP 8



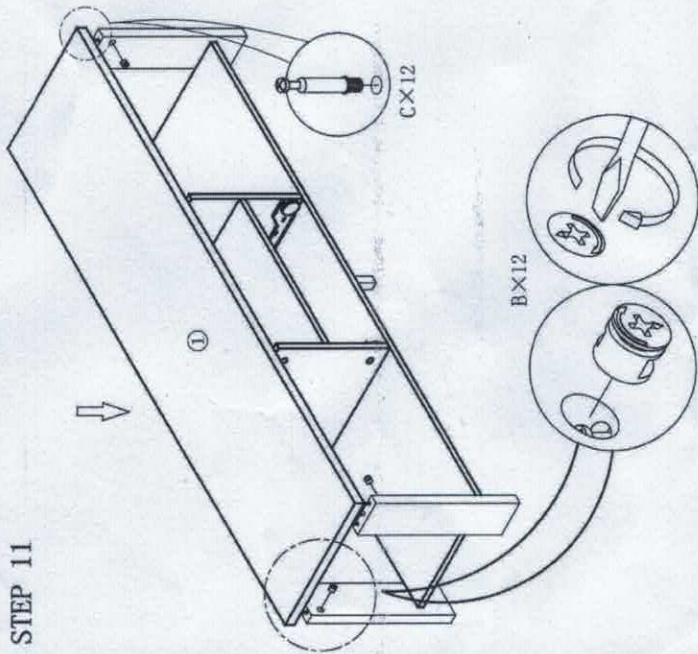
STEP 9



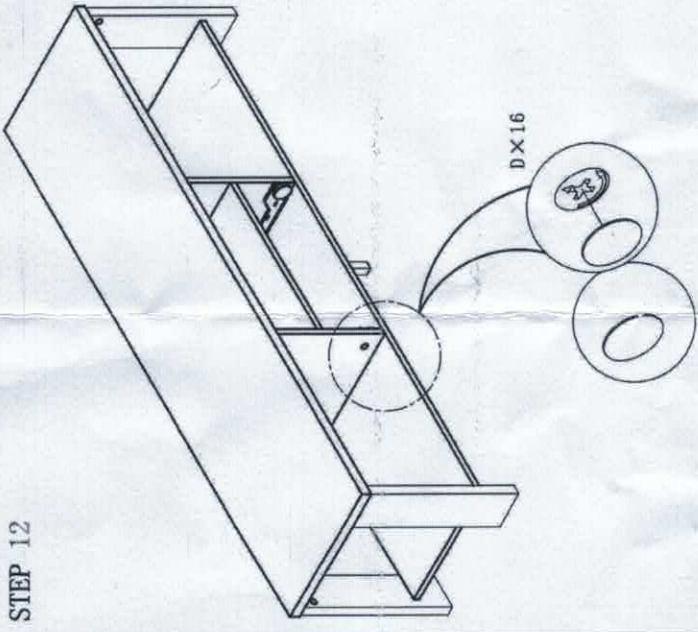
STEP 10



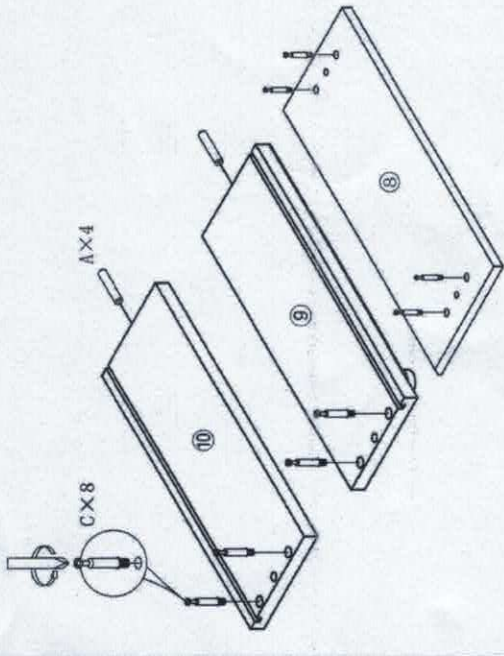
STEP 11



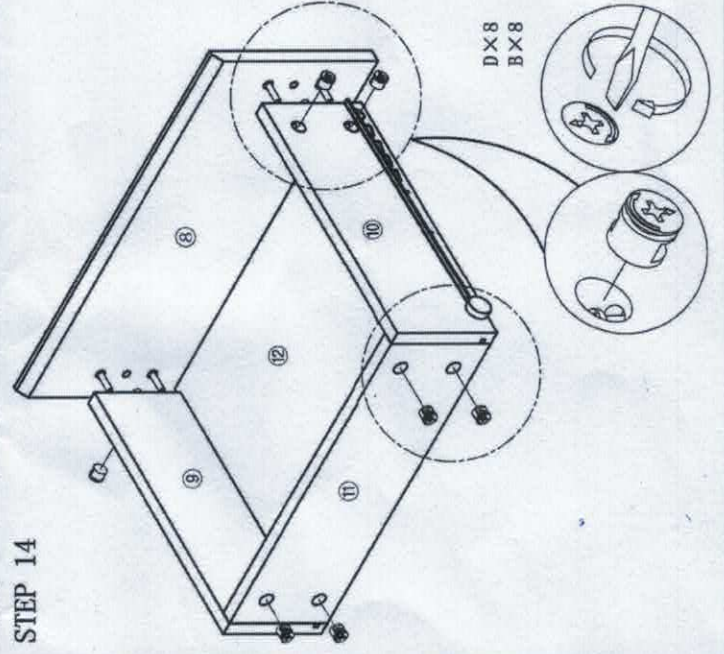
STEP 12



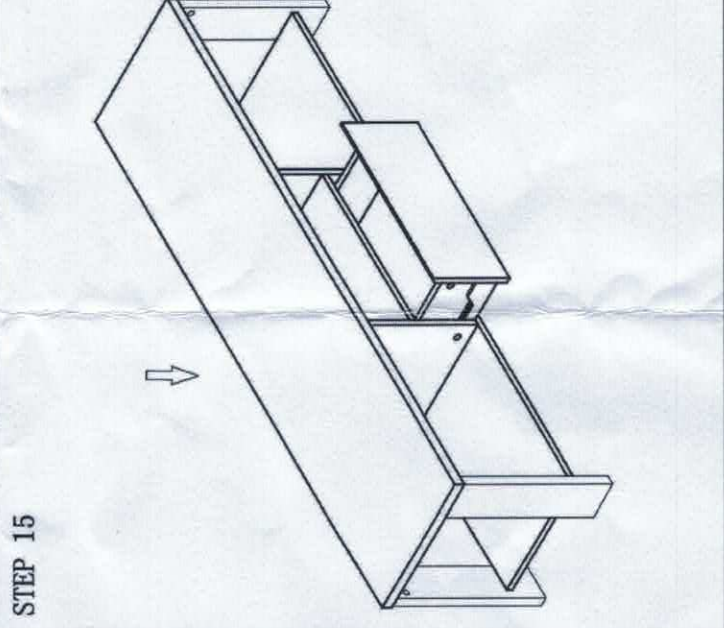
STEP 13



STEP 14



STEP 15



STEP 16

