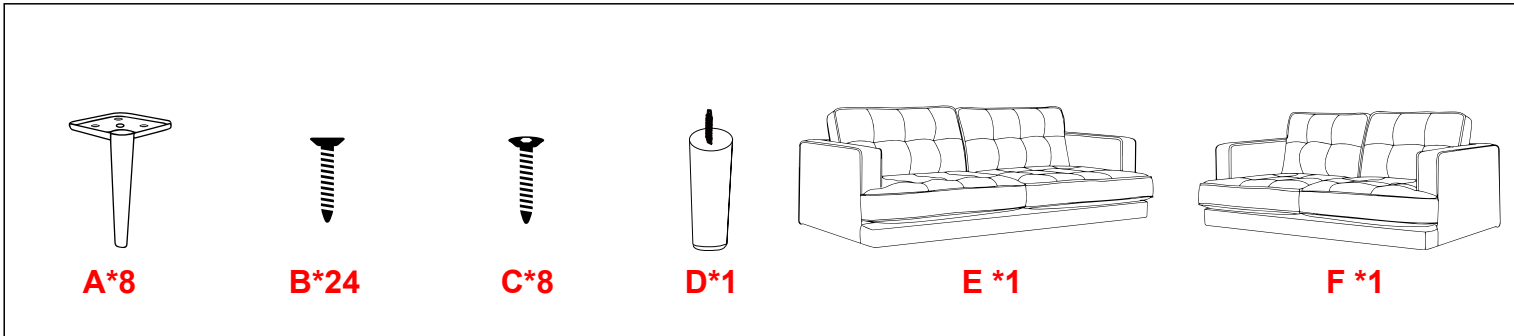


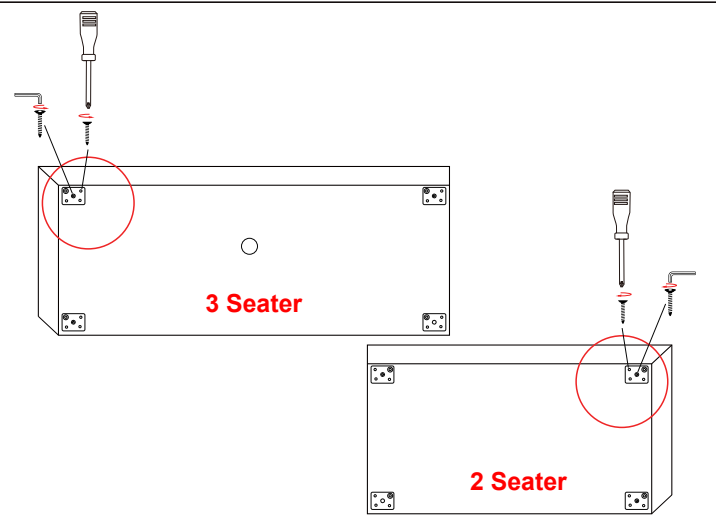
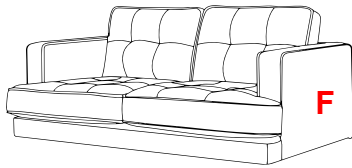
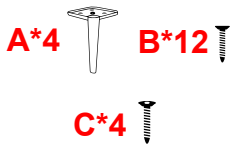
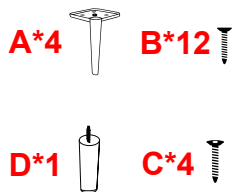
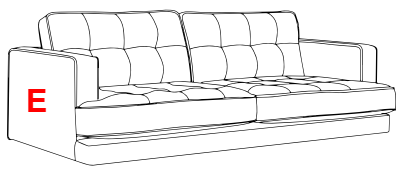
# ASSEMBLY INSTRUCTIONS

## PARTS LIST



assemble follow below steps

### STEP 1



### STEP 2

