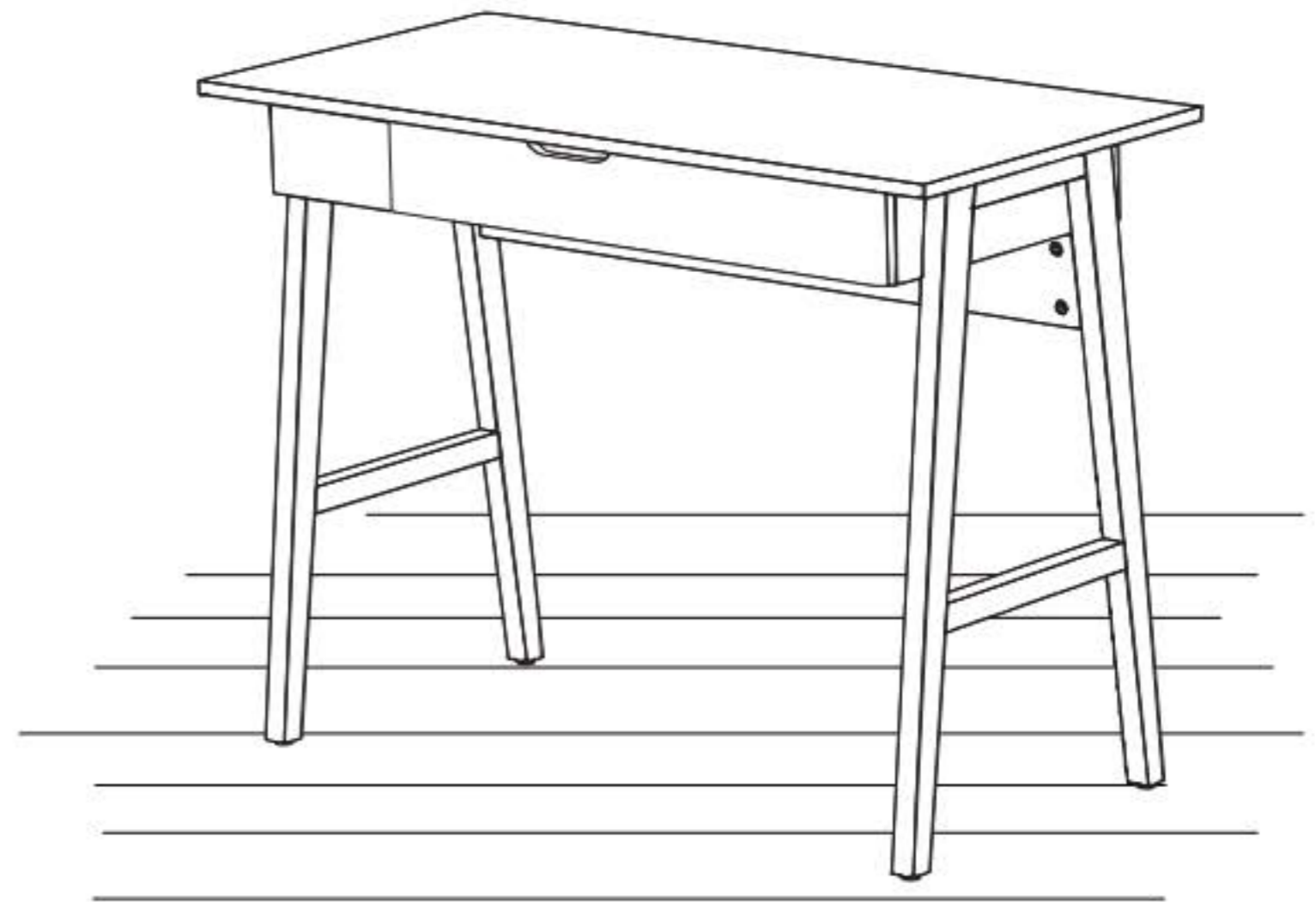
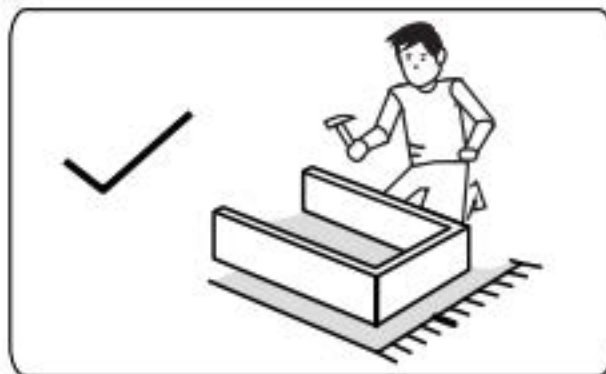
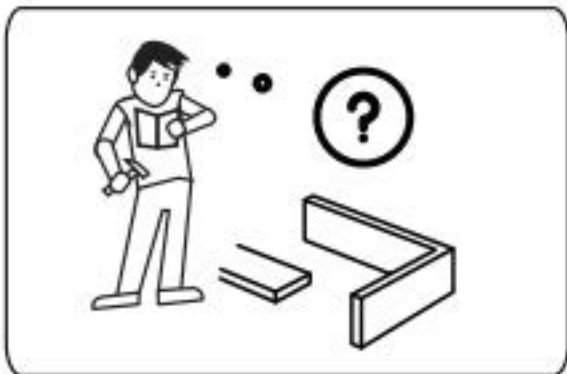
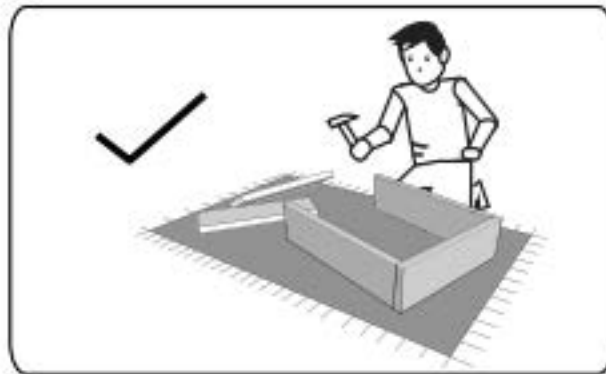
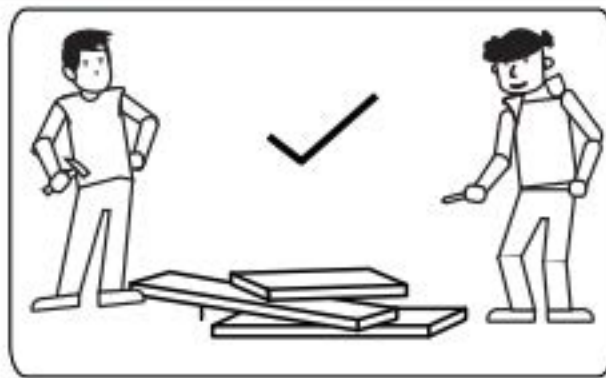
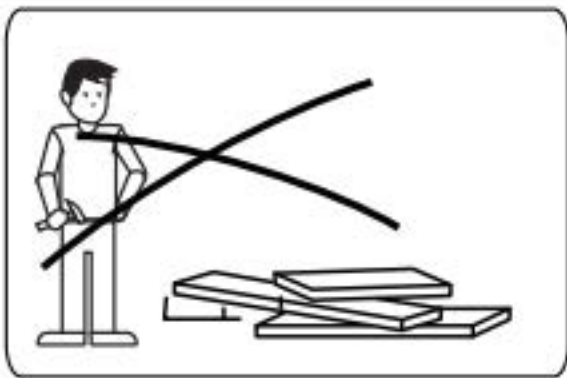


Exploded View

M-MEX-04

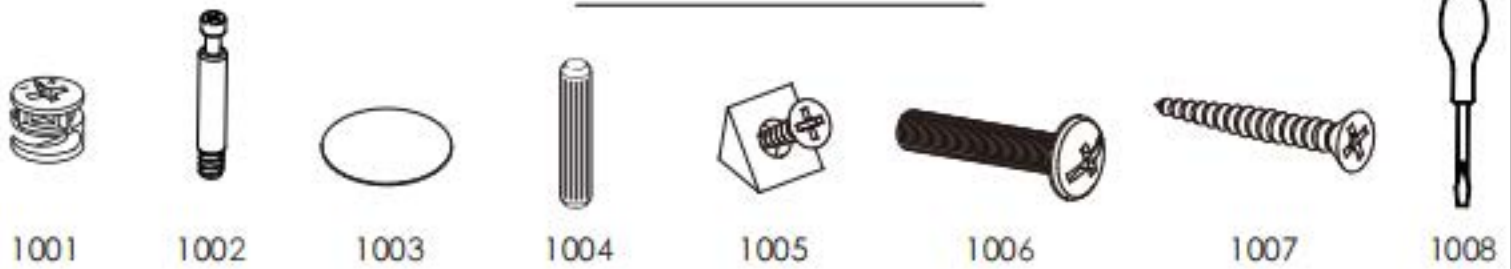




IMPORTANT NOTES

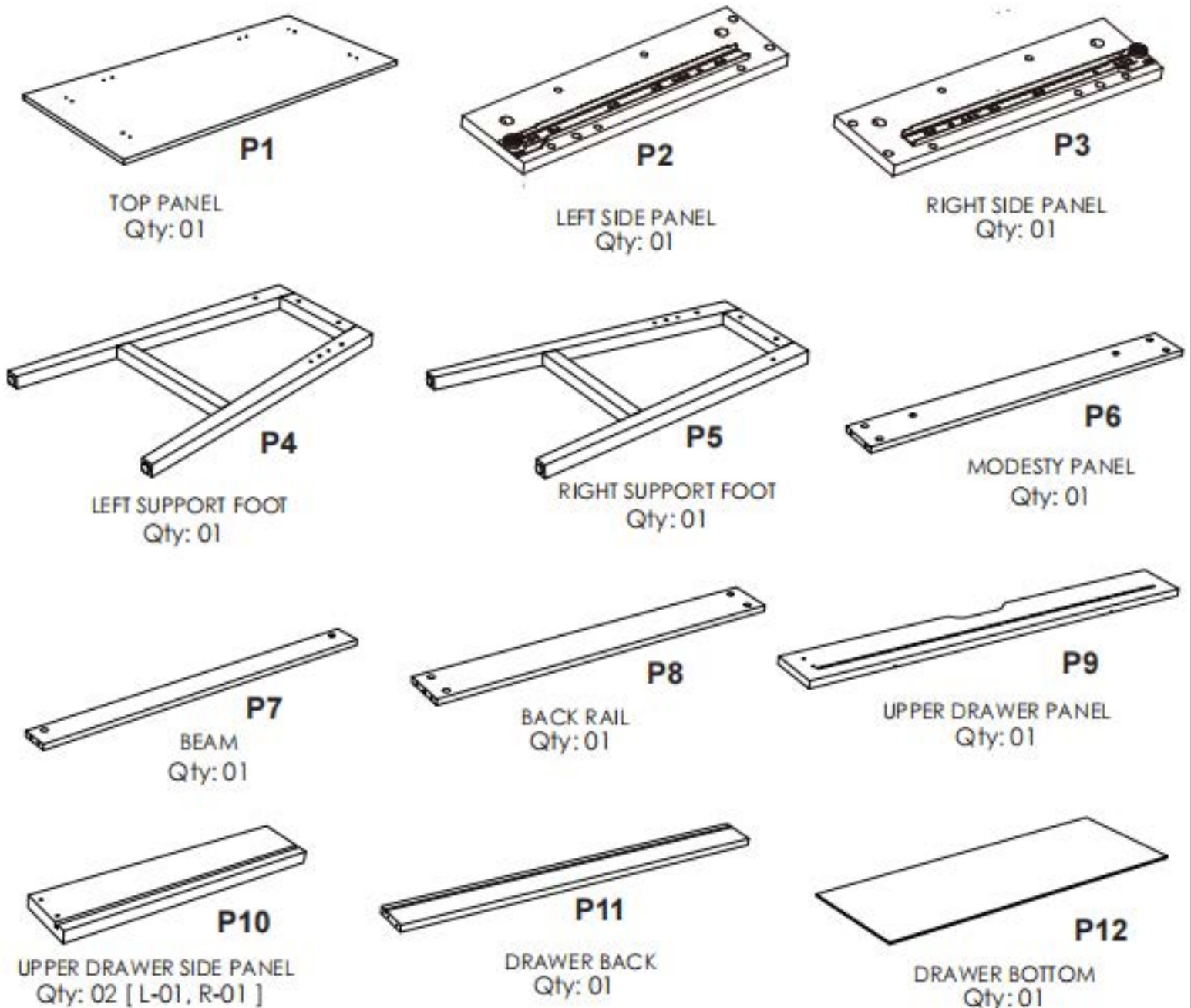
1. Place all wooden parts on a clean and smooth surface such as a rug or carpet to avoid the parts from being scratched.
2. Check to be sure that you have all parts and hardware.
3. Remove all wrapping materials, including stopples & packing straps before you start assemble.
4. Keep all hardware parts out of reach of children

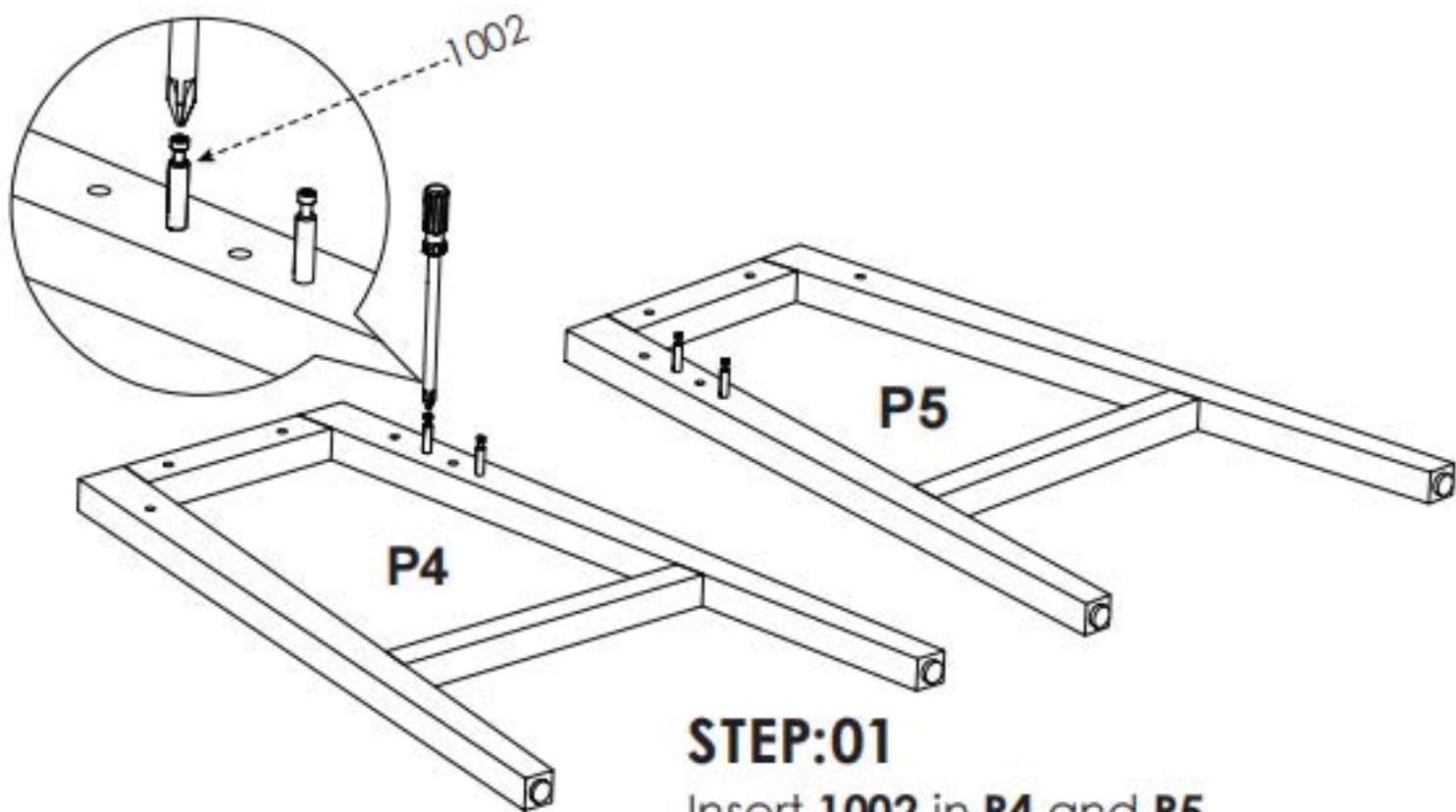
HARDWARE & TOOL DETAILS



CODE	NAME	QTY	EXTRA
1001	CAM LOCK	20 pcs	1 pcs
1002	HOUSING PIN	20 pcs	1 pcs
1003	CAM COVER	20 pcs	1 pcs
1004	DOWEL	10 pcs	1 pcs
1005	BUTTON	02 pcs	0
1006	SCREW	08 pcs	0
1007	WOOD SCREW	04 pcs	0
1008	STAR SCREW-DRIVER	NOT PROVIDED	

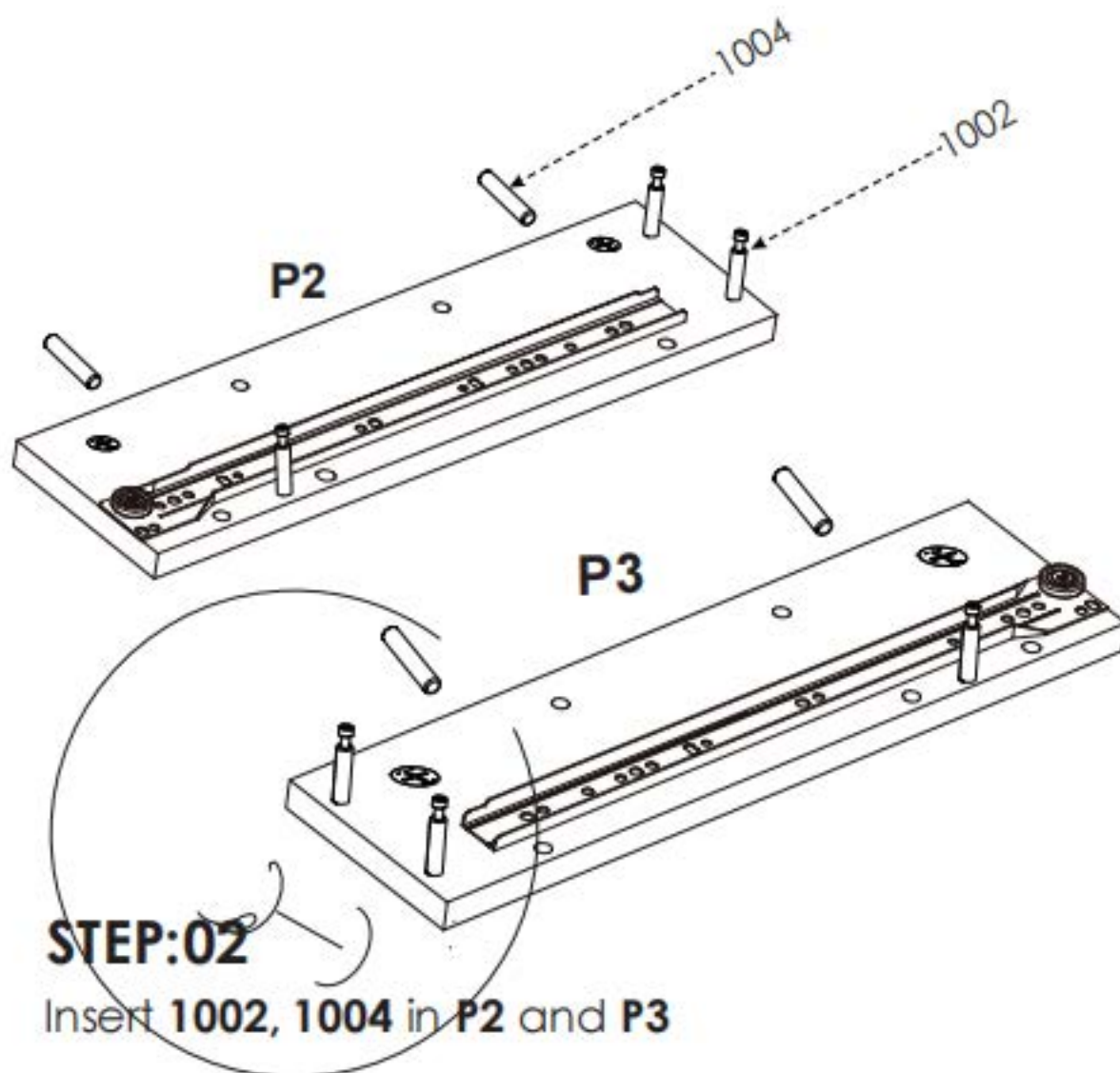
COMPONENT DETAILS





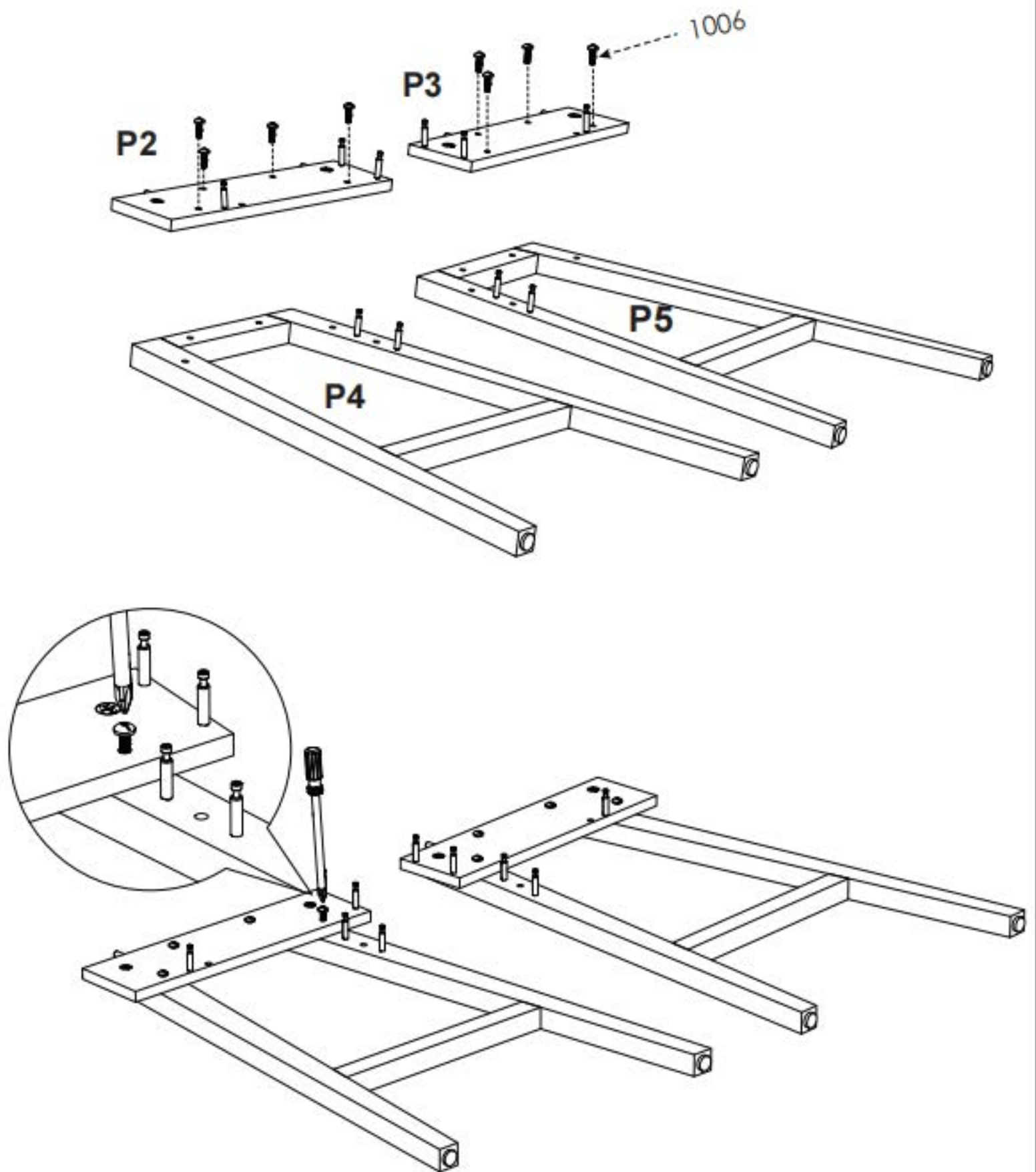
STEP:01

Insert 1002 in P4 and P5



STEP:02

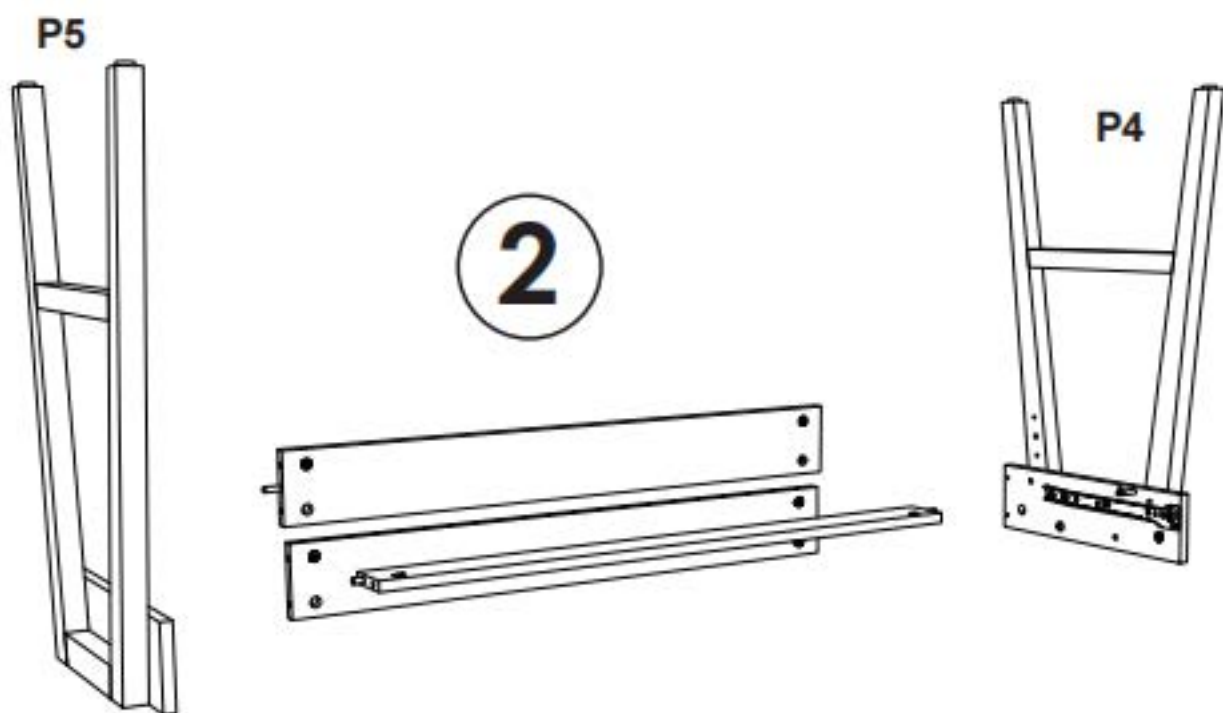
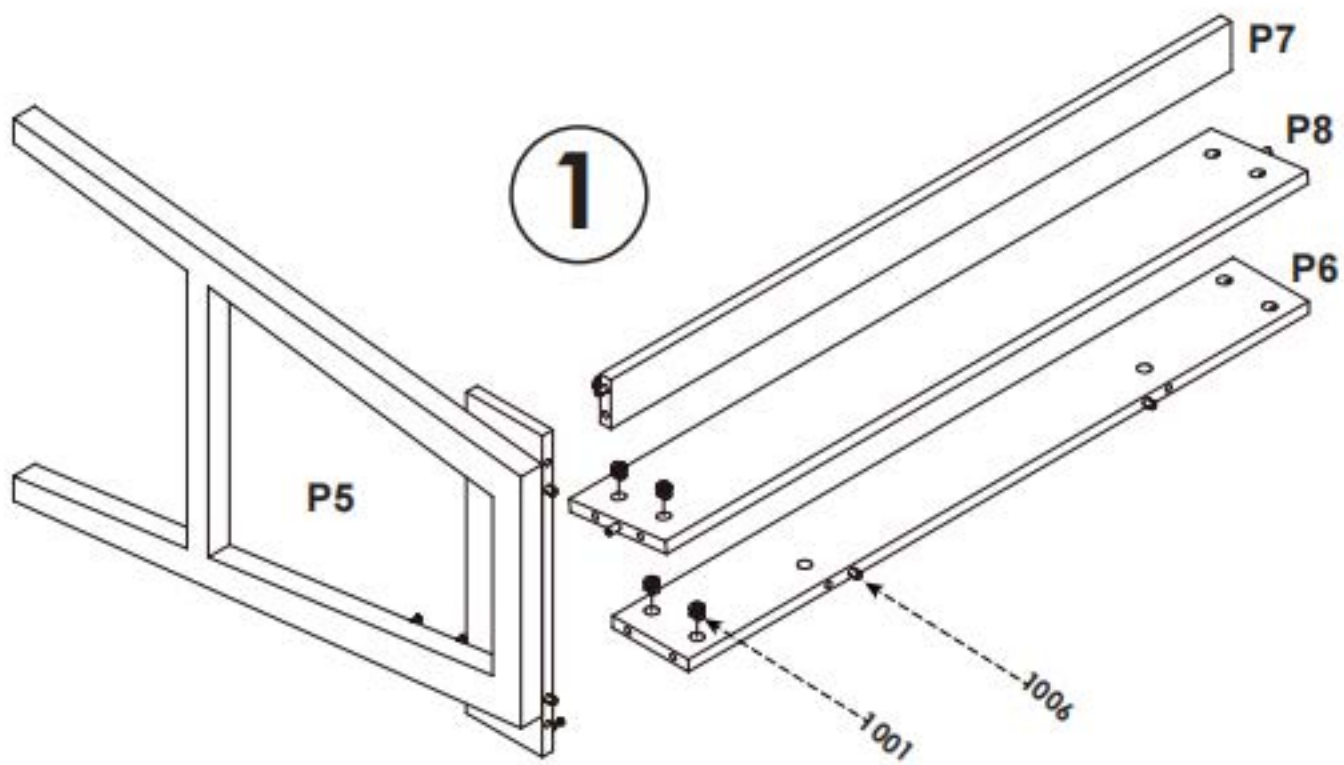
Insert 1002, 1004 in P2 and P3



STEP:03

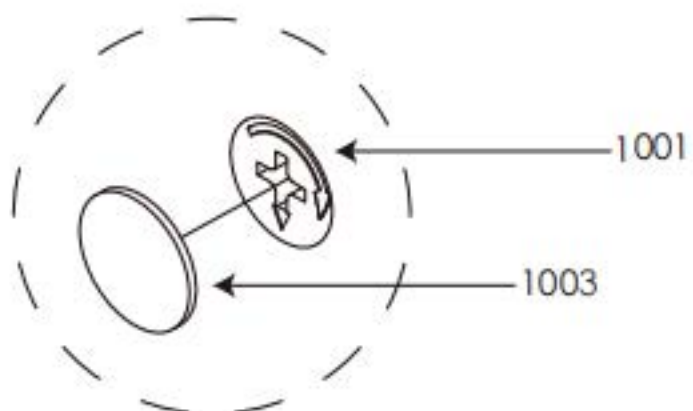
A) Attach **P2** WITH **P4** Using **1006**

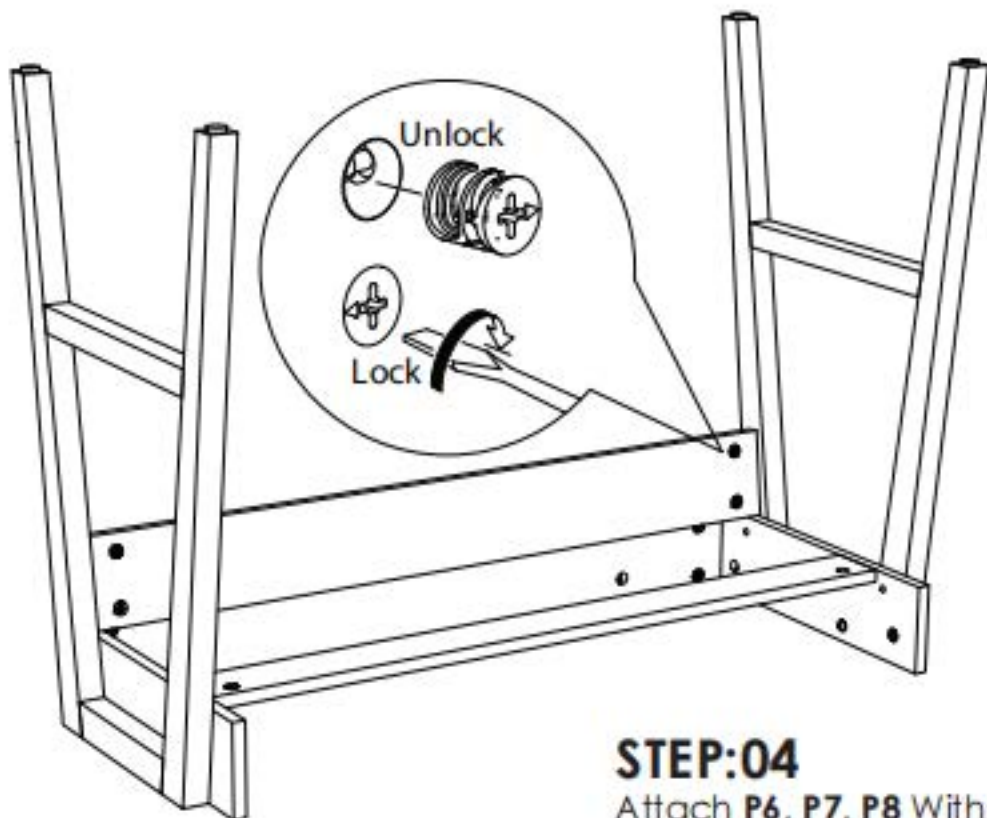
B) Attach **P3** WITH **P5** Using **1006**



[REMEMBER]

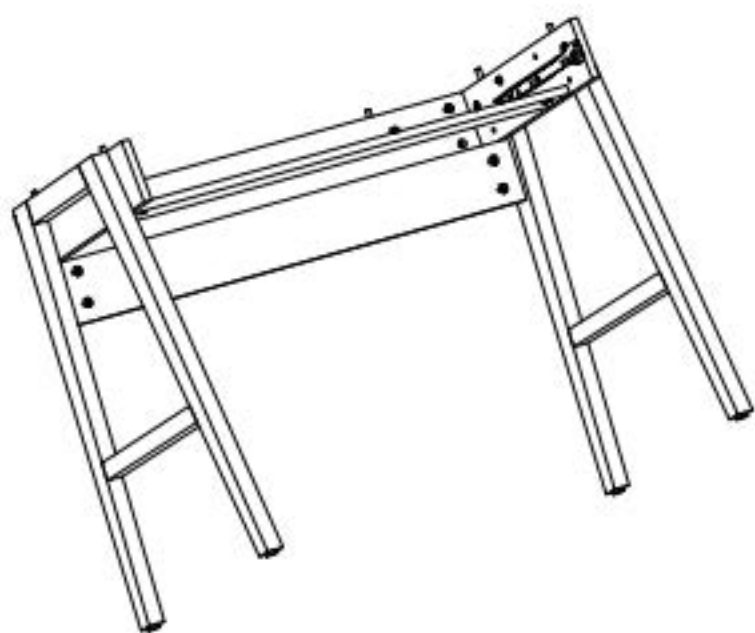
Use Cam cover-1003
After
Using Cam Lock-1001





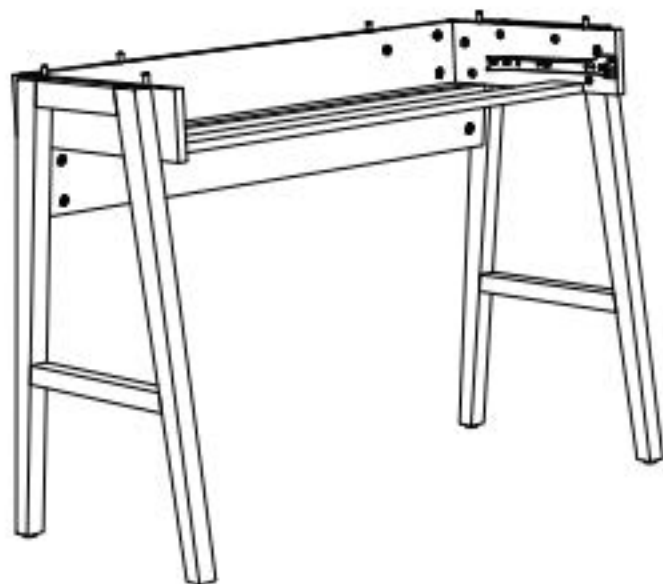
STEP:04

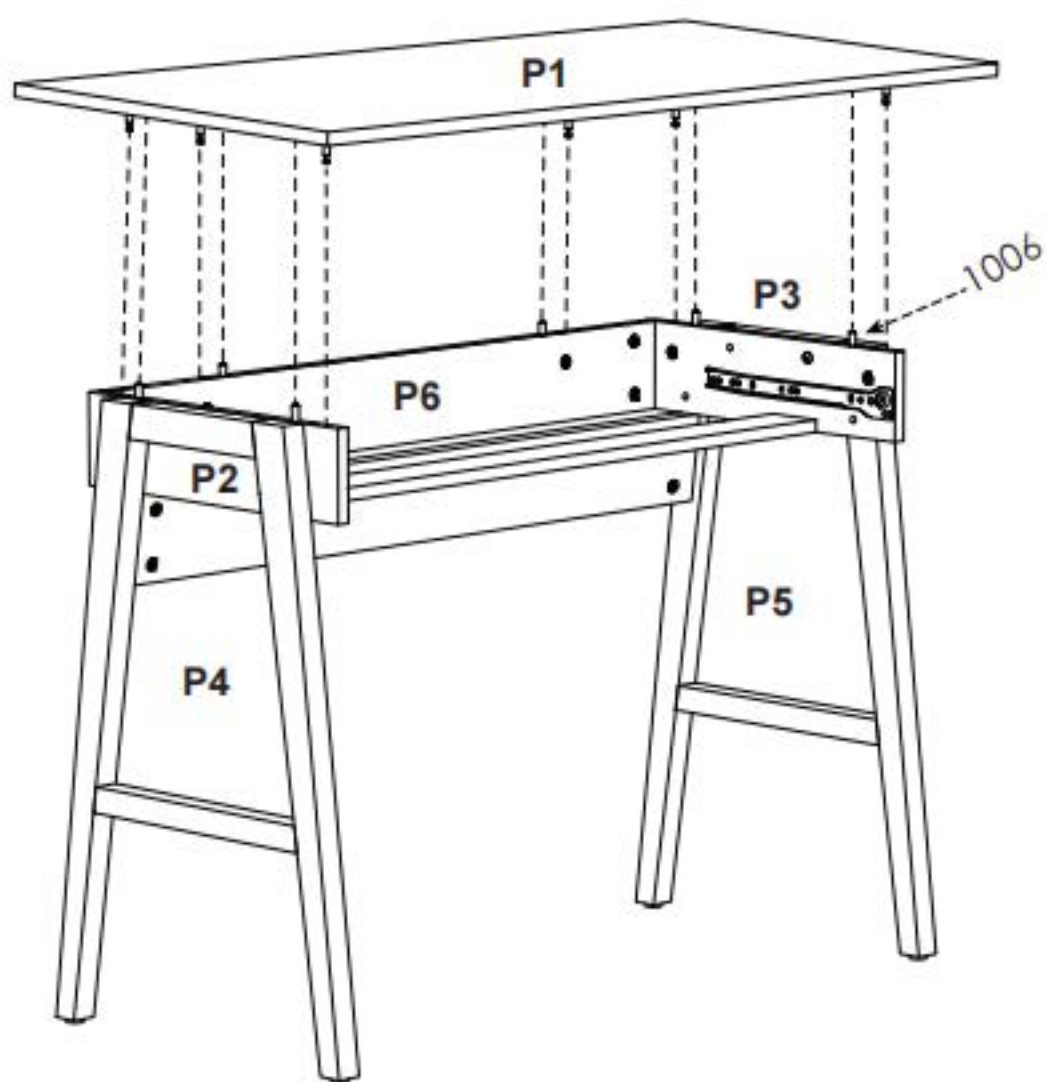
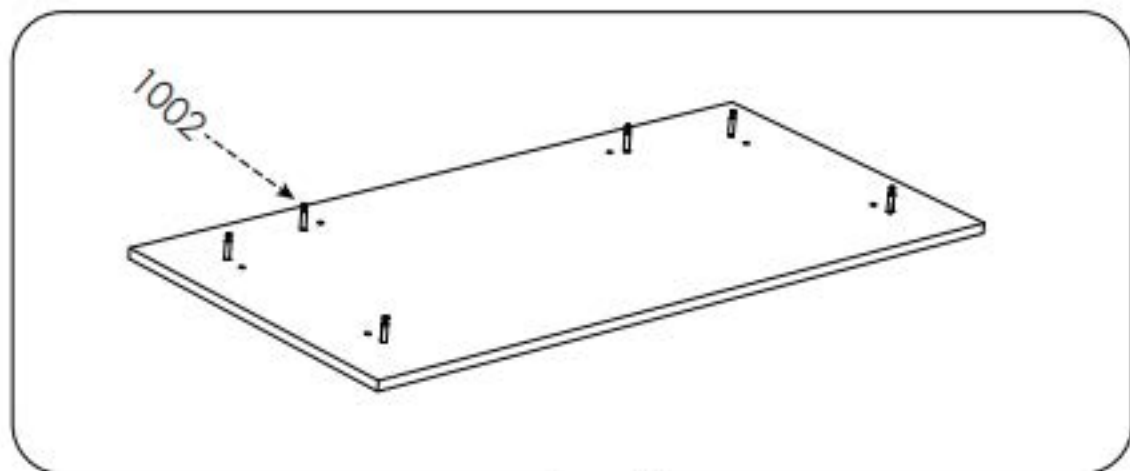
Attach **P6, P7, P8** With **P4** and **P5**
Using **1001, 1002, 1006**



STEP:05

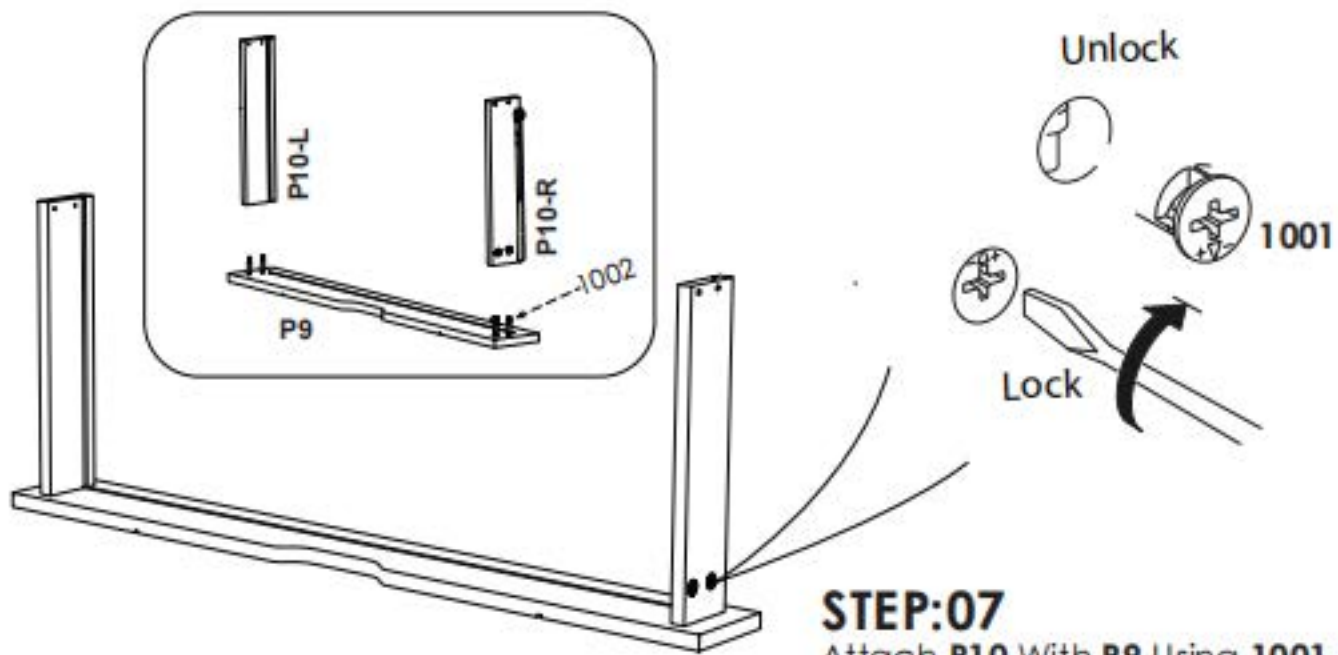
Flip the Table Carefully





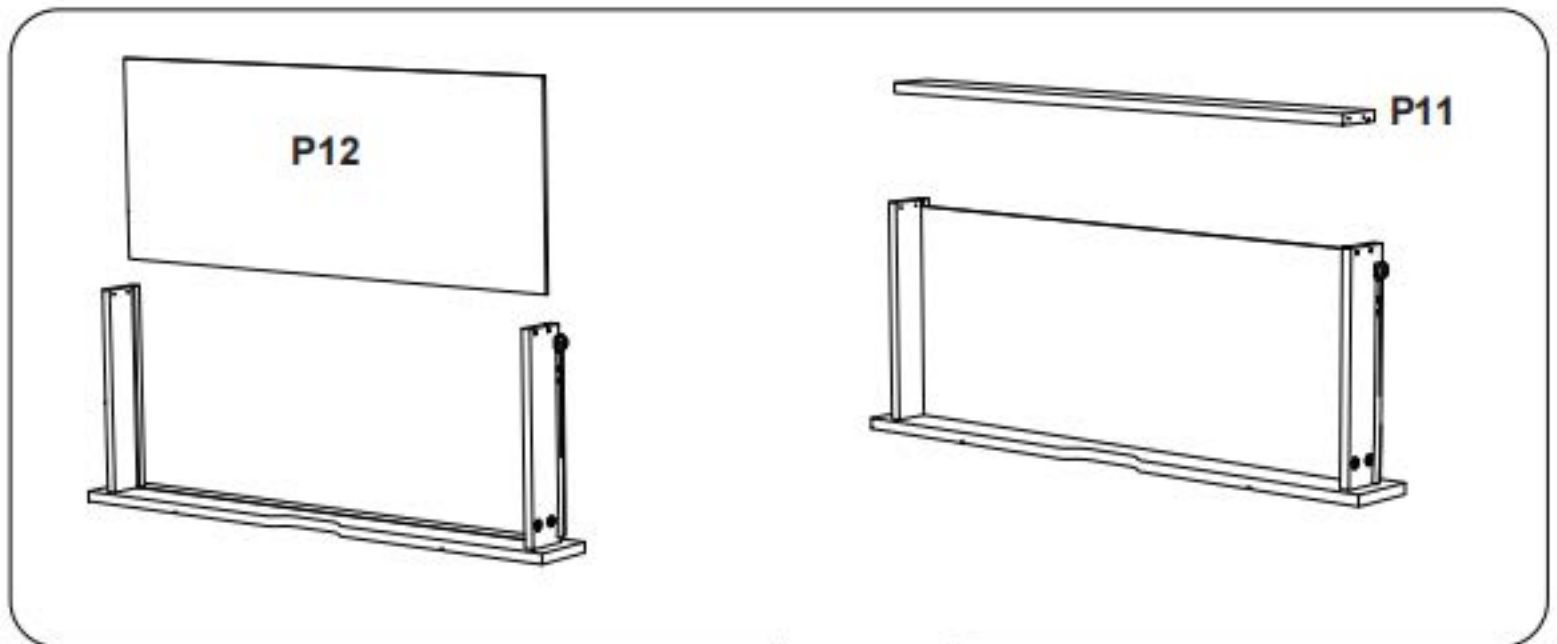
STEP:06

Attach **P1** With **P2**, **P3**, **P6** Using **1002** ,**1006**



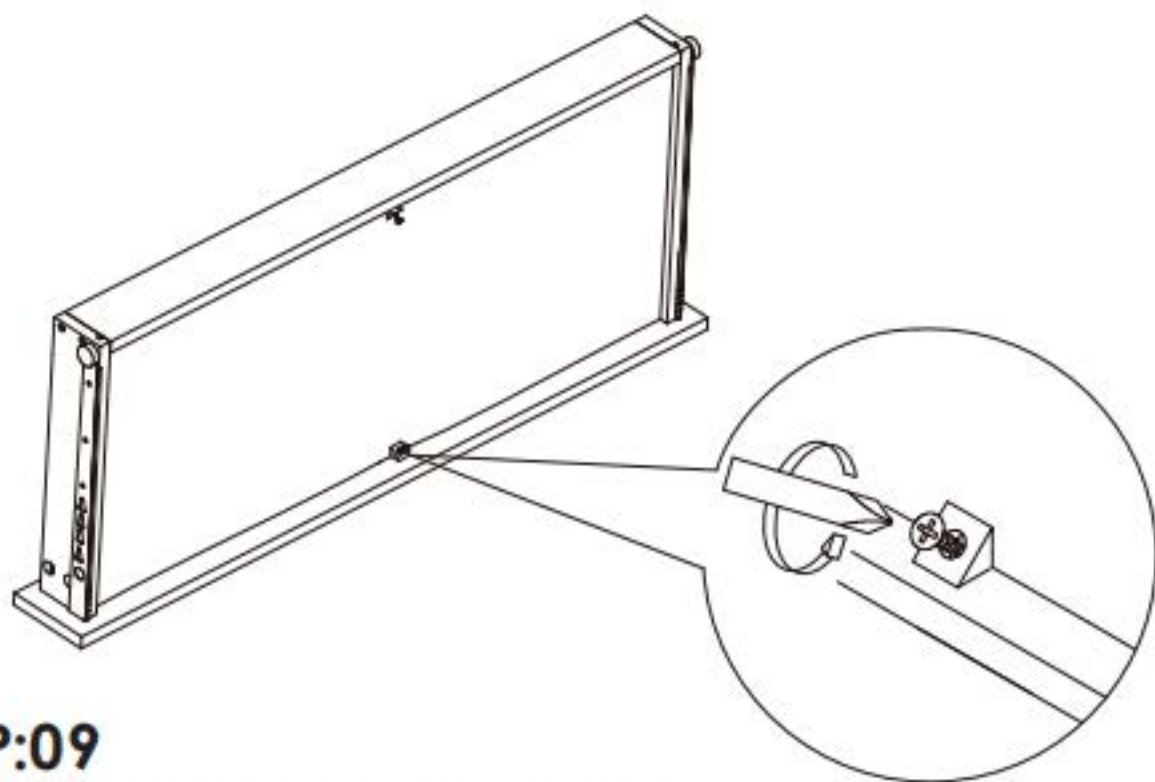
STEP:07

Attach **P10** With **P9** Using **1001** ,**1002**



STEP:08

Attach **P11** With **P9** Using **1007**



STEP:09

Attach **1005** With Following Positon



STEP:10

Insert Drawer into following Postion

