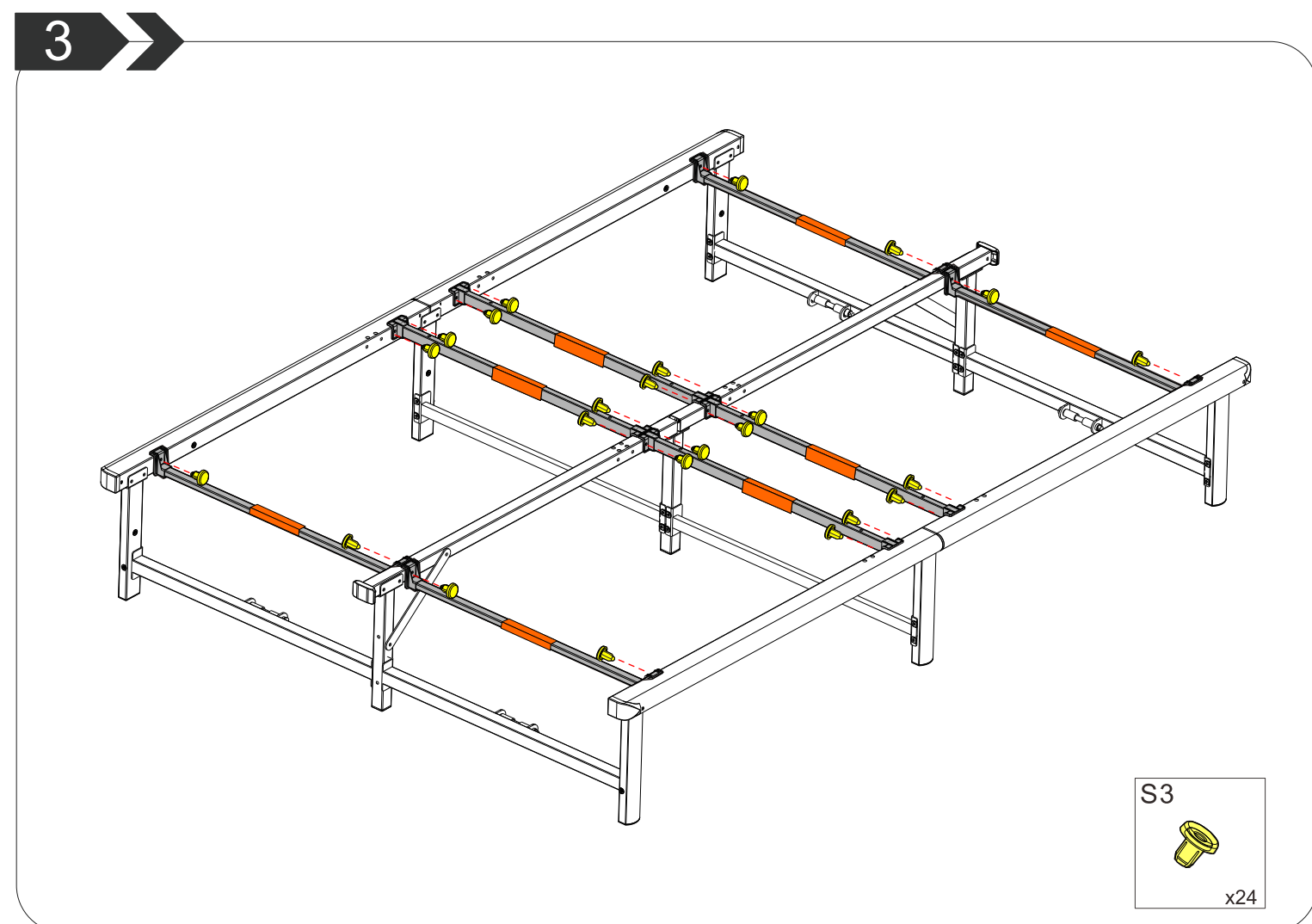
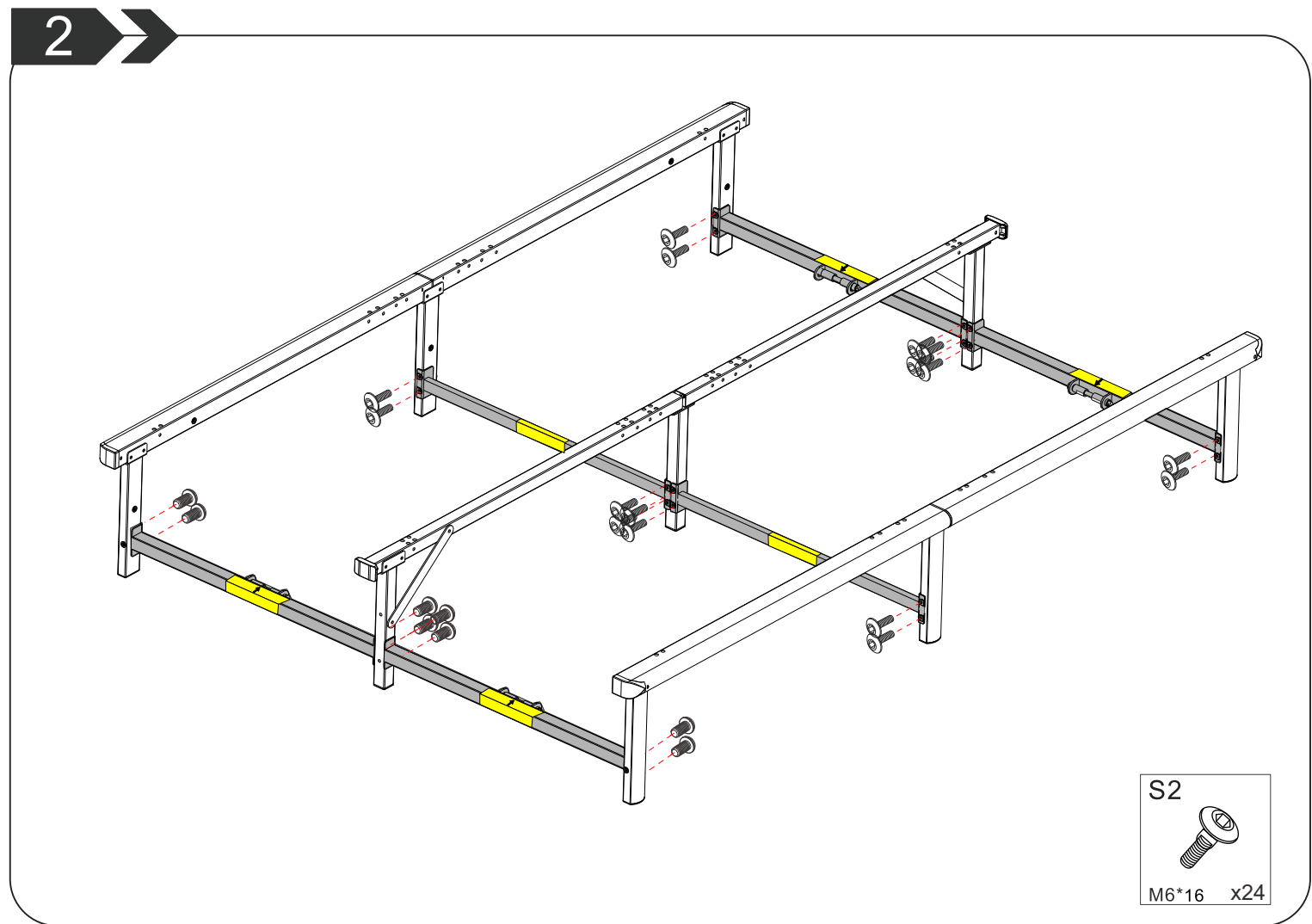
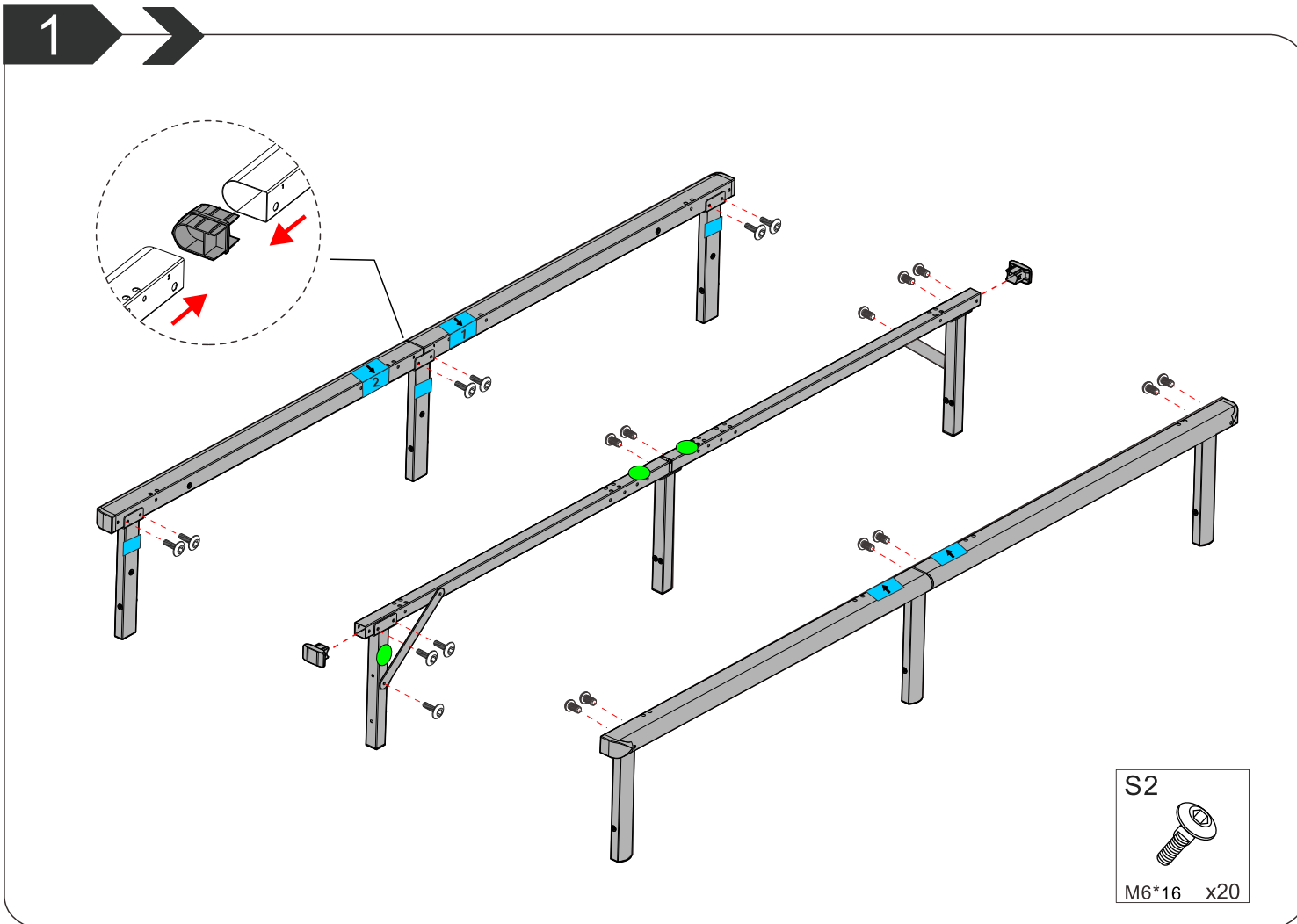
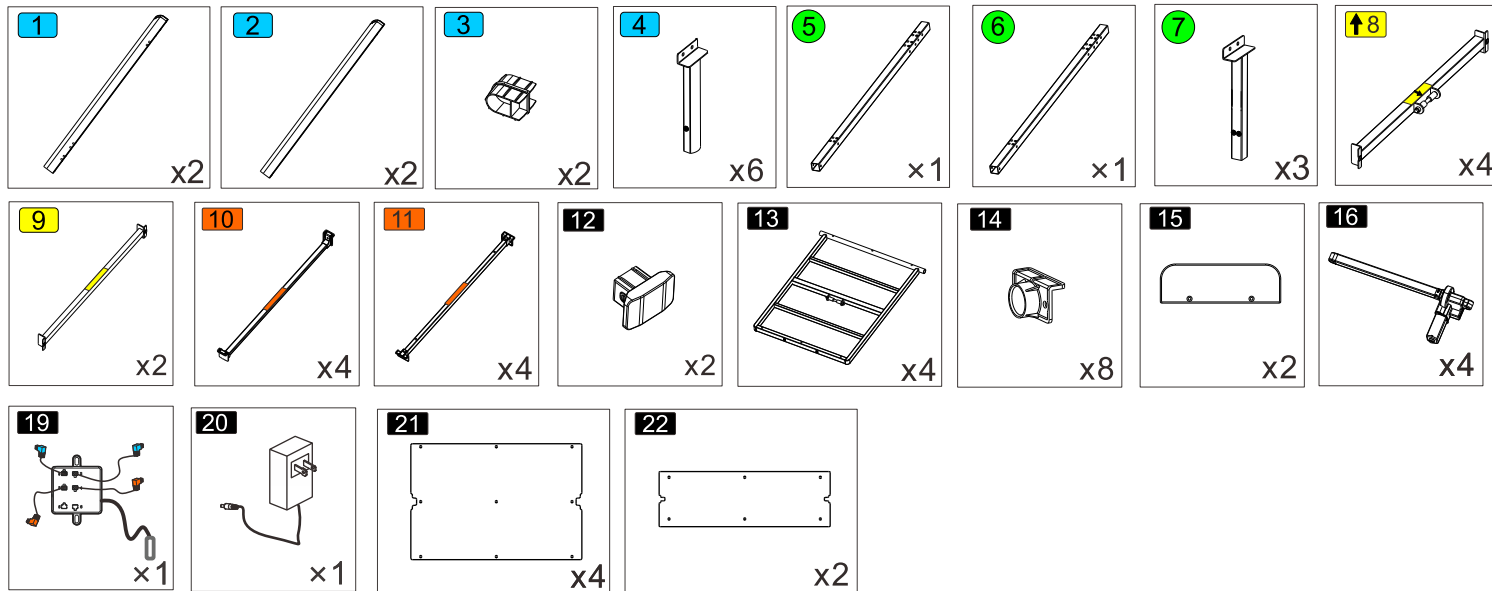


Assembly Instruction

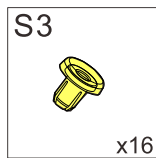
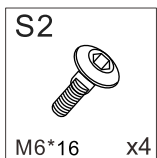
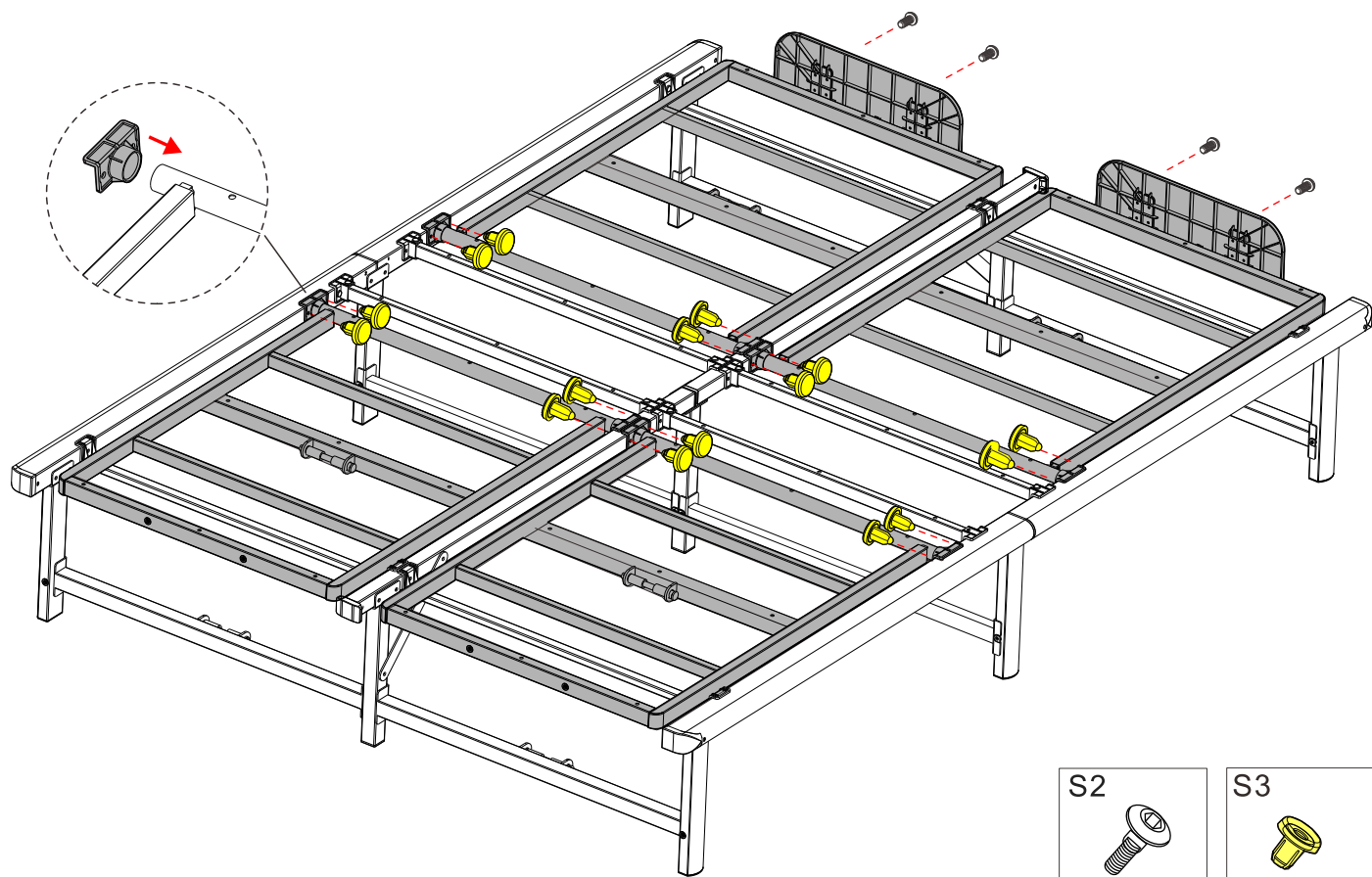
• SCREW ACCESSORIES



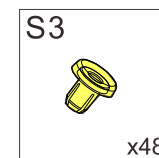
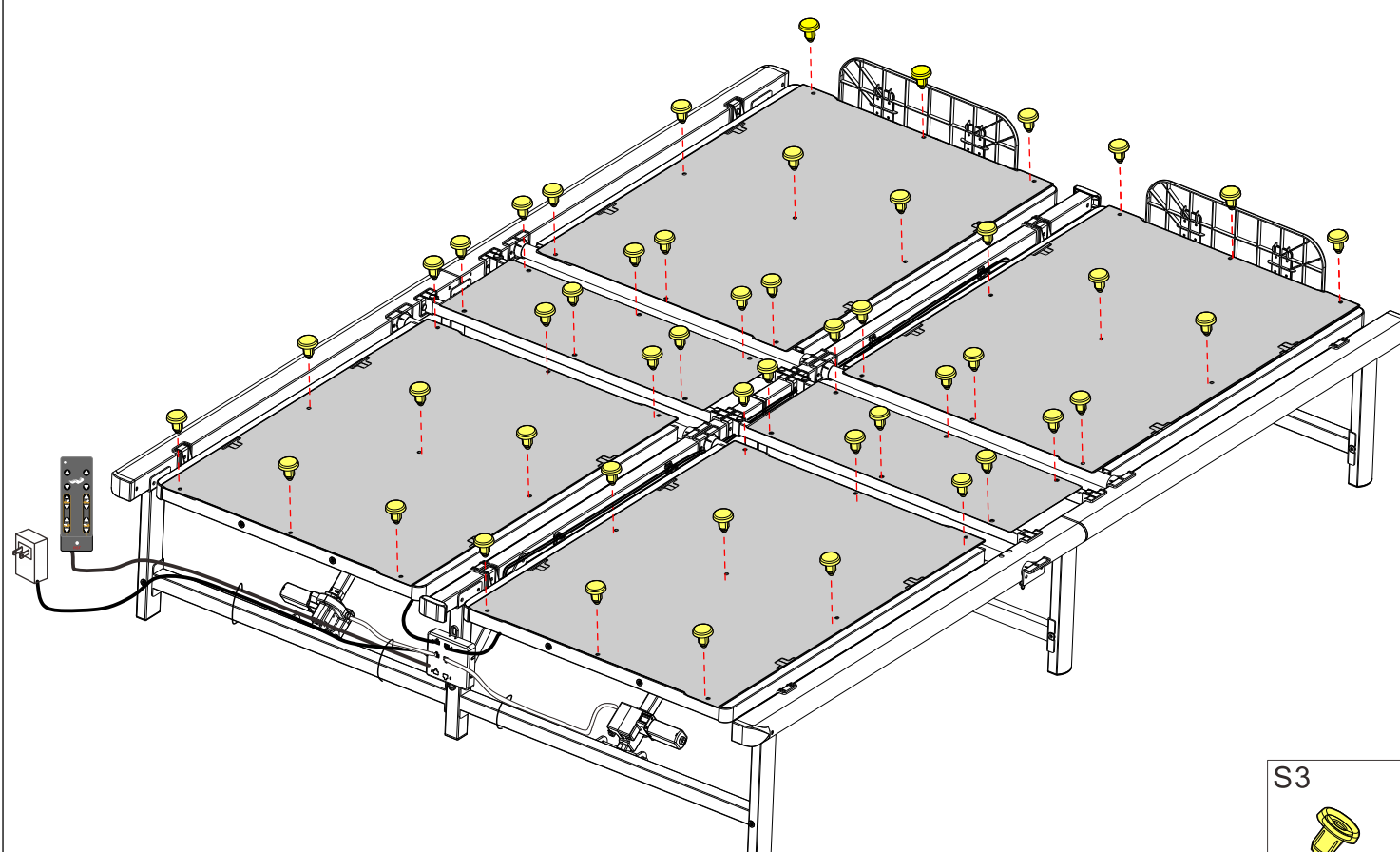
• PARTS ACCESSORIES



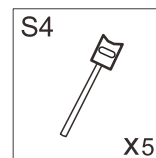
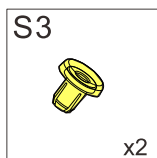
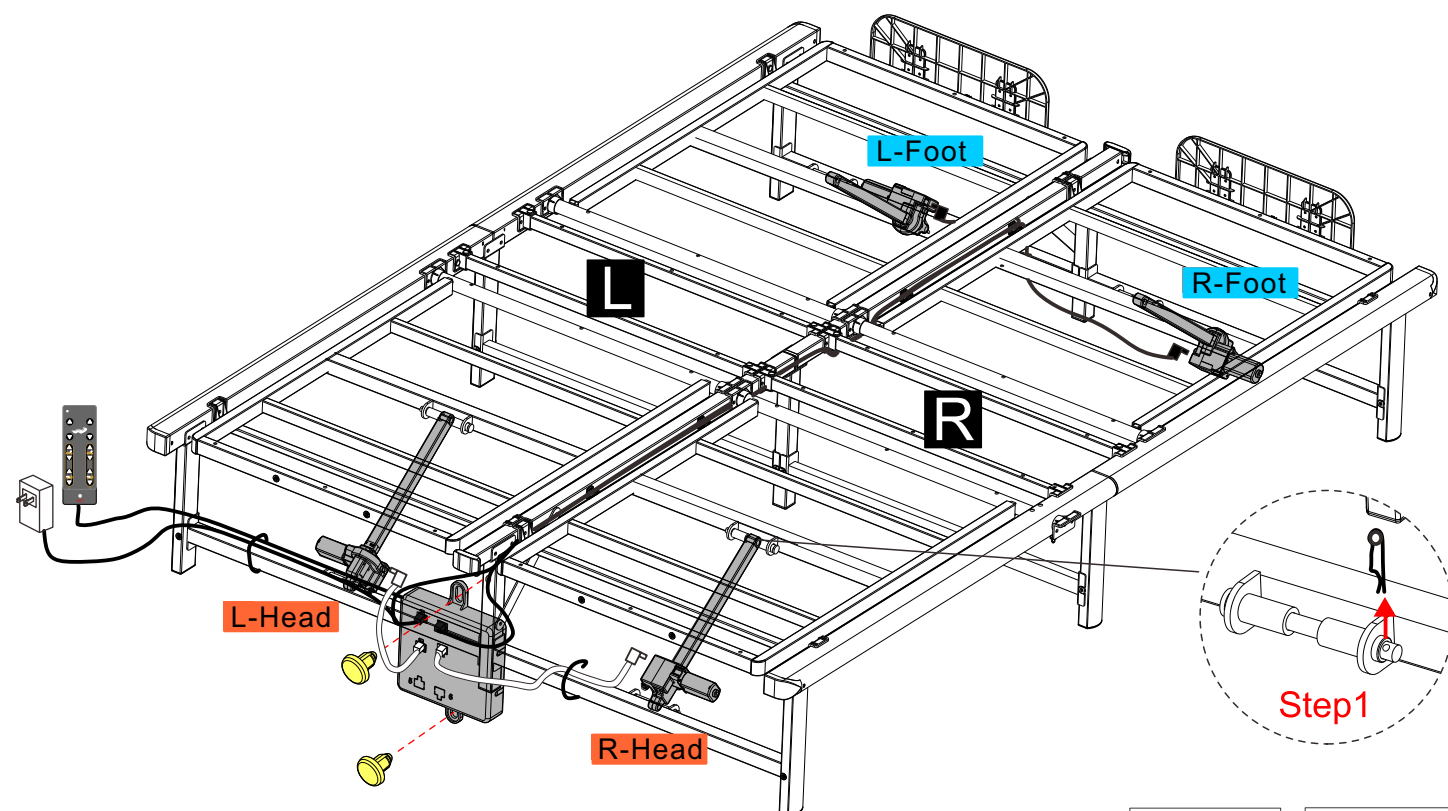
4



6

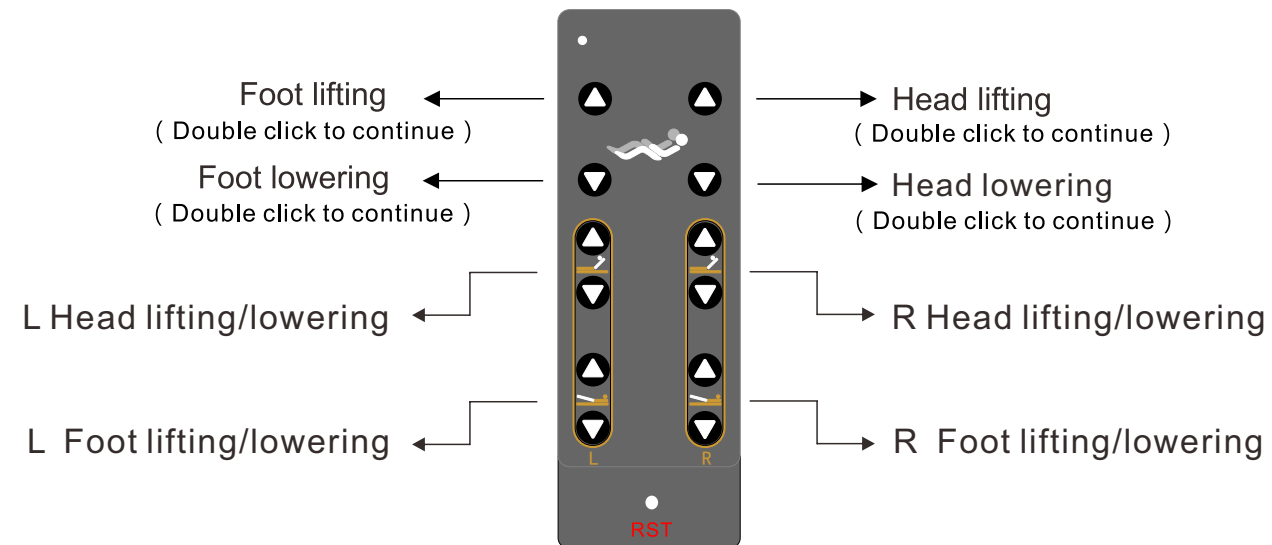


5



! It can be adjusted by rotating the aluminum tube to fit the motor installation. and Pay attention to the left and right

Instruction Manual



1. After the installation of the electric bed is completed, if the frame is uneven or the lifting is not synchronized, etc You can press the "RST" button for 5 seconds to perform a reset operation. During the reset process, the electric bed will run automatically for 1 minute until it stops, and the reset is complete
2. During use, if the button does not respond, please check if the connecting cable is securely plugged in