
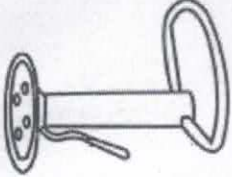
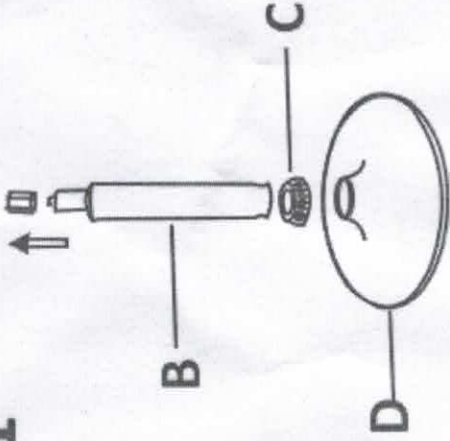
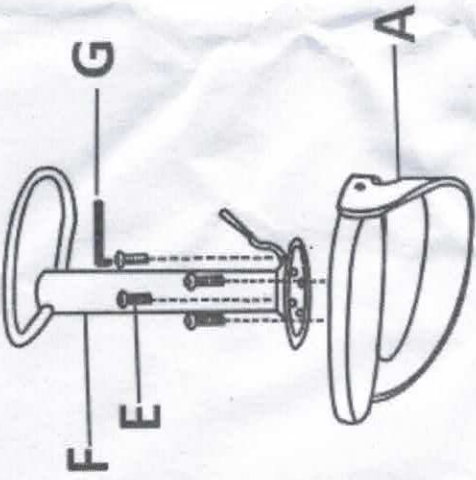


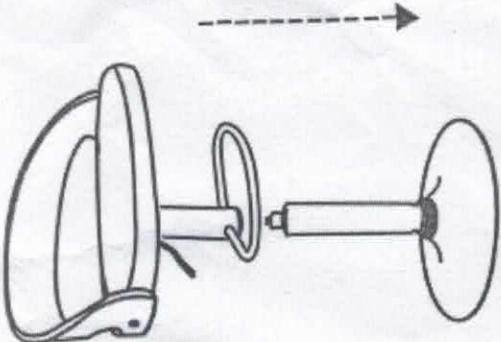
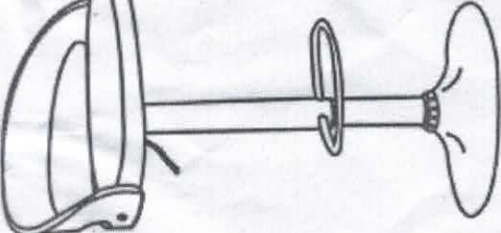





# 266--304 Saddle Bentwood Barstool

## ASSEMBLY INSTRUCTION

<b>A*1</b> 	<b>F*1</b> 	<b>1</b> 	<b>2</b> 
<b>B*1</b> 	<b>G*1</b> 	<b>3</b> 	<b>4</b> 
<b>C*1</b> 	<b>D*1</b> 	<b>E*4</b>  M6*18MM	