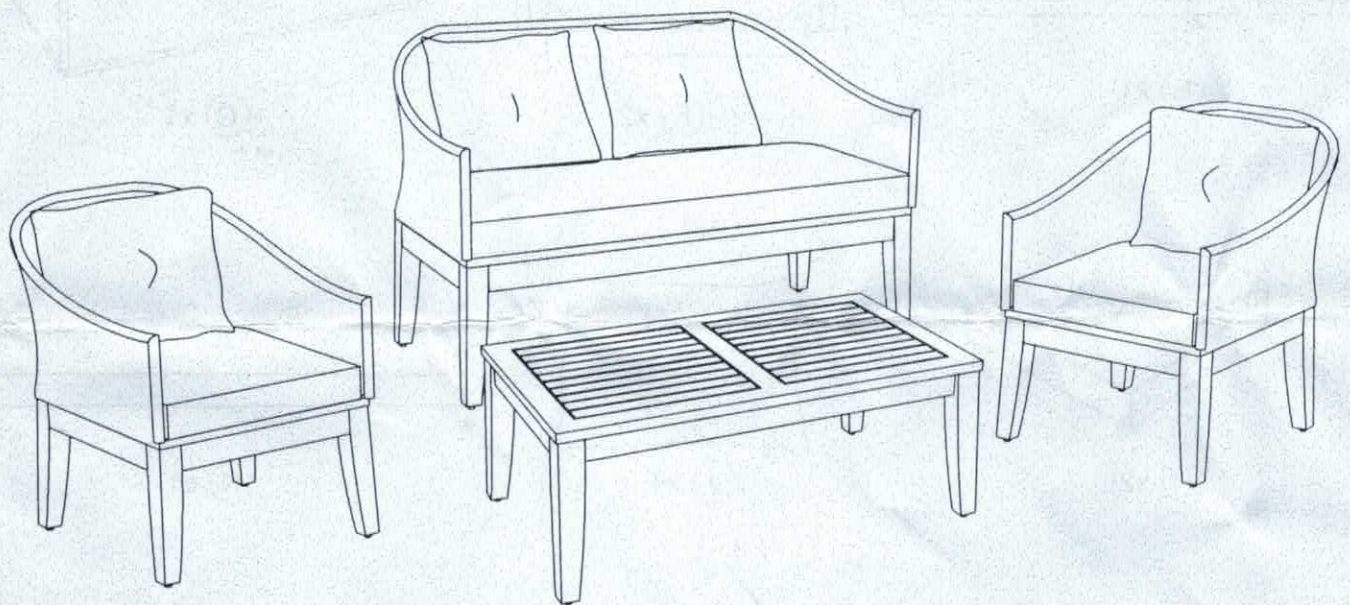
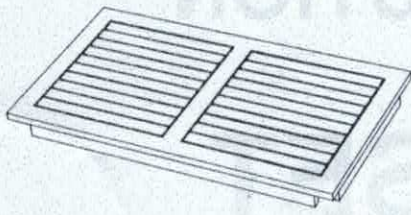


ASSEMBLY INSTRUCTION

SALEM 4PC SET



PART LIST:



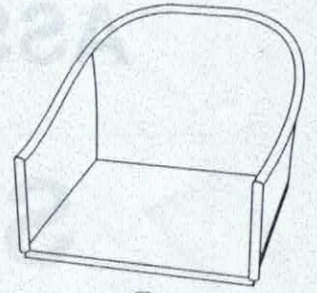
(A) x1



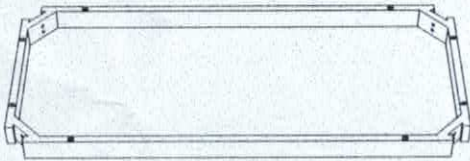
(B) x4



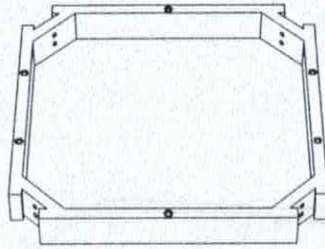
(C) x12



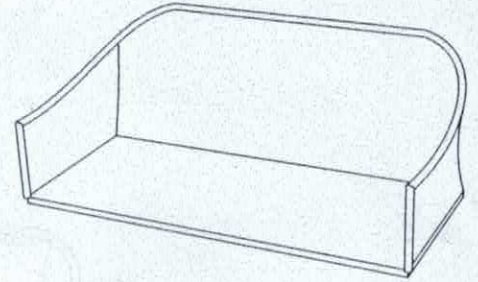
(D) x2



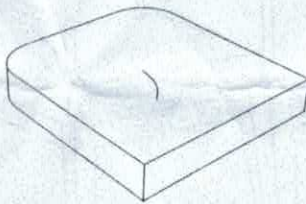
(E) x1



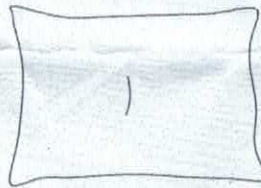
(F) x2



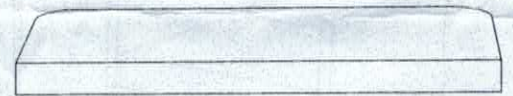
(G) x1



(H) x2



(J) x4



(K) x1

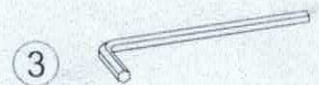
HARDWARE:



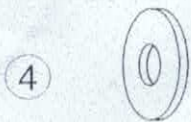
Bolt **M6**x75mm = 20 pcs



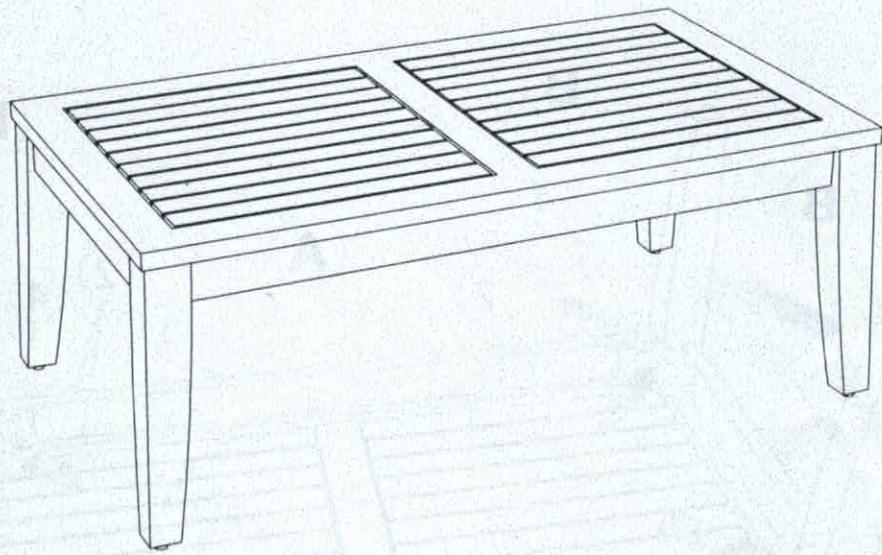
Bolt **M8** x45mm = 32 pcs

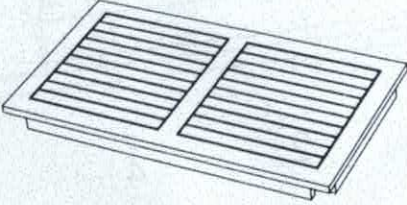



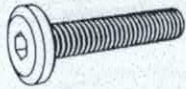


Allenkey = 2 pcs



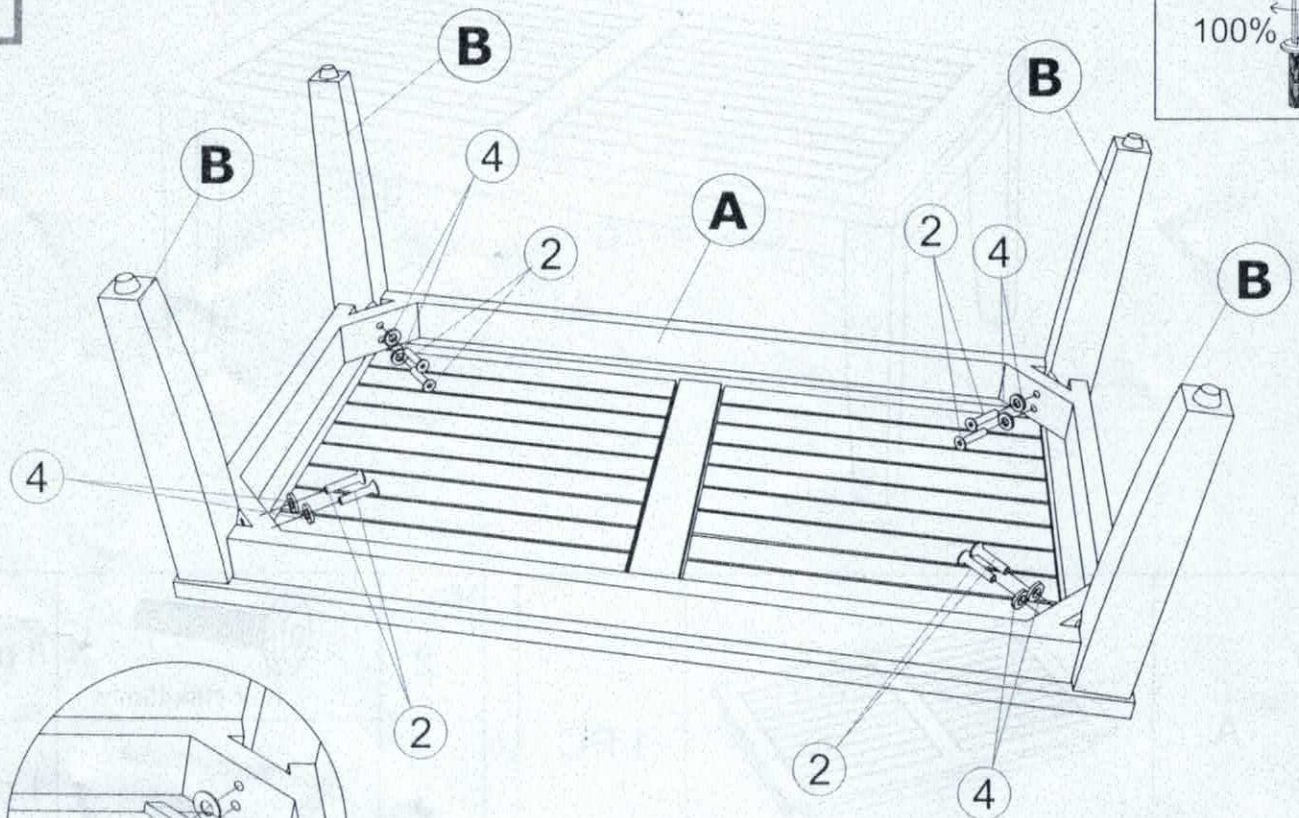
Washers 8mm = 32 pcs



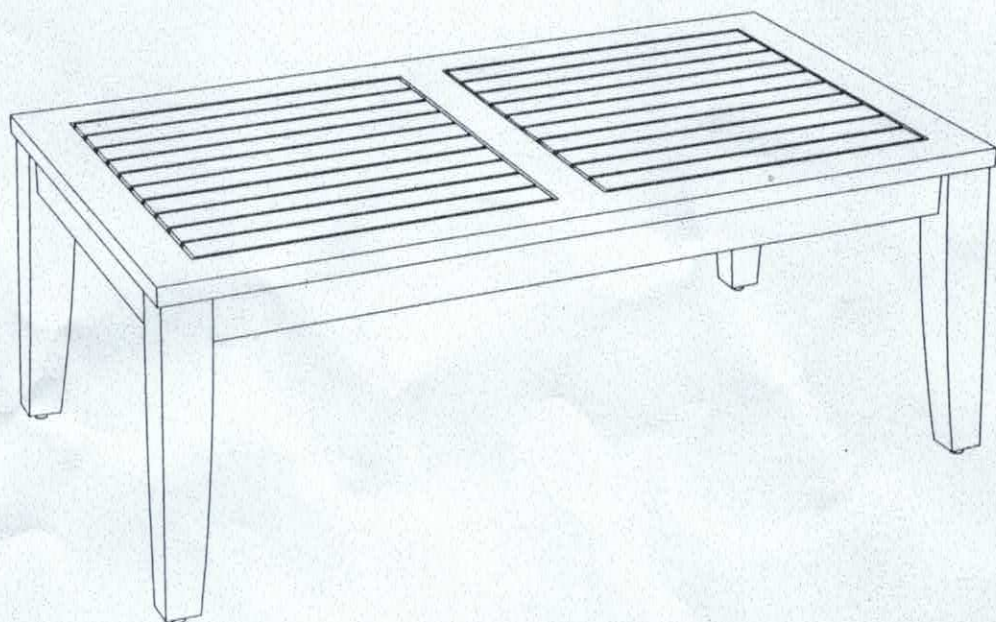
A		1 PC
B		4 PCS

2	 Bolt M8x45mm	8 pcs
3	 Allenkey	1 pc
4	 Washers 8mm	8 pcs

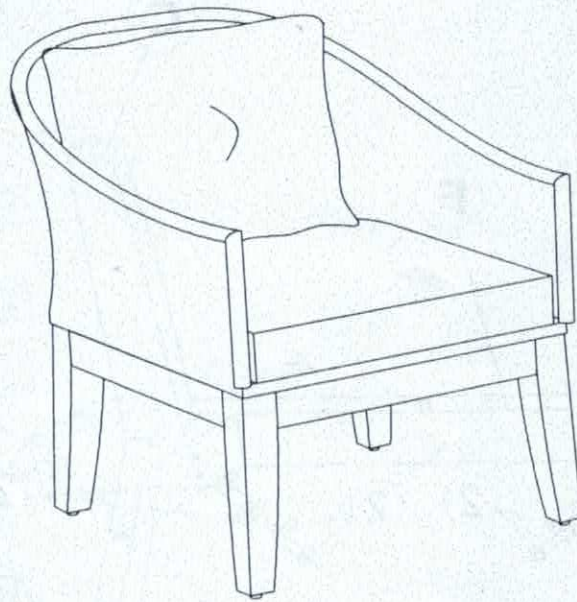
1


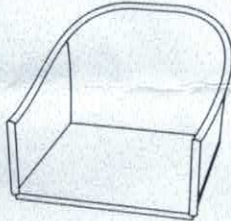
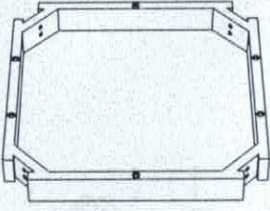
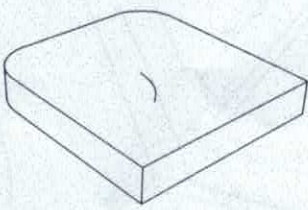
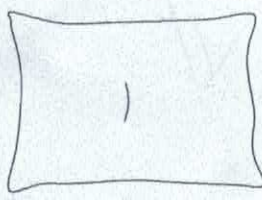


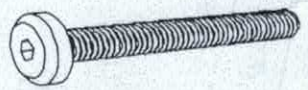



2



X2

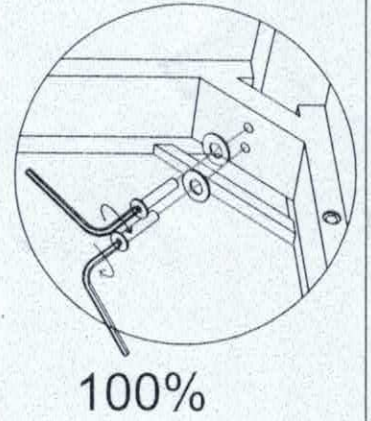
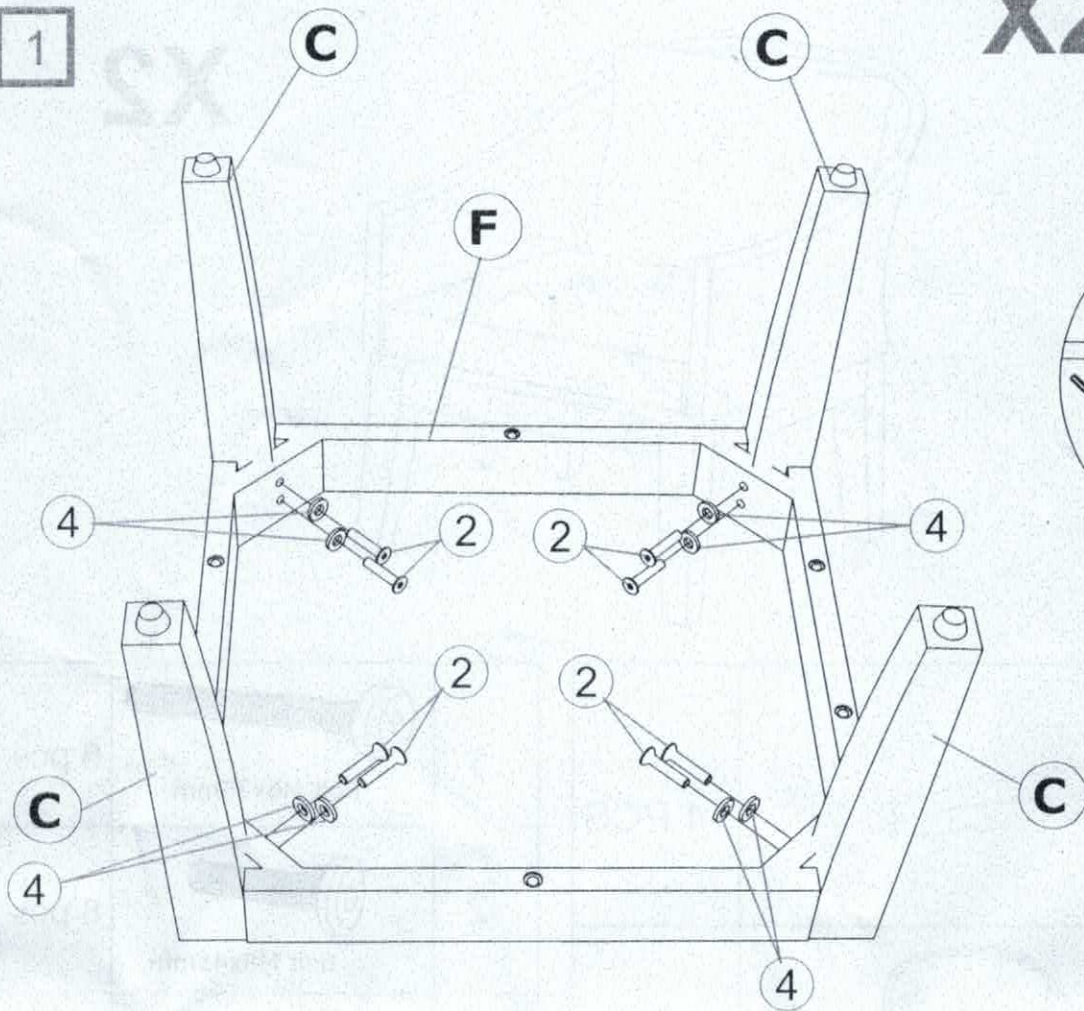


C		4 PCS
D		1 PC
F		1 PC
H		1 PC
J		1 PC

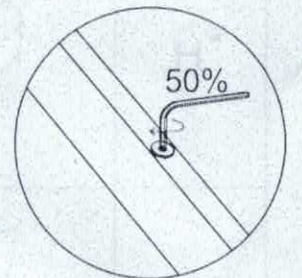
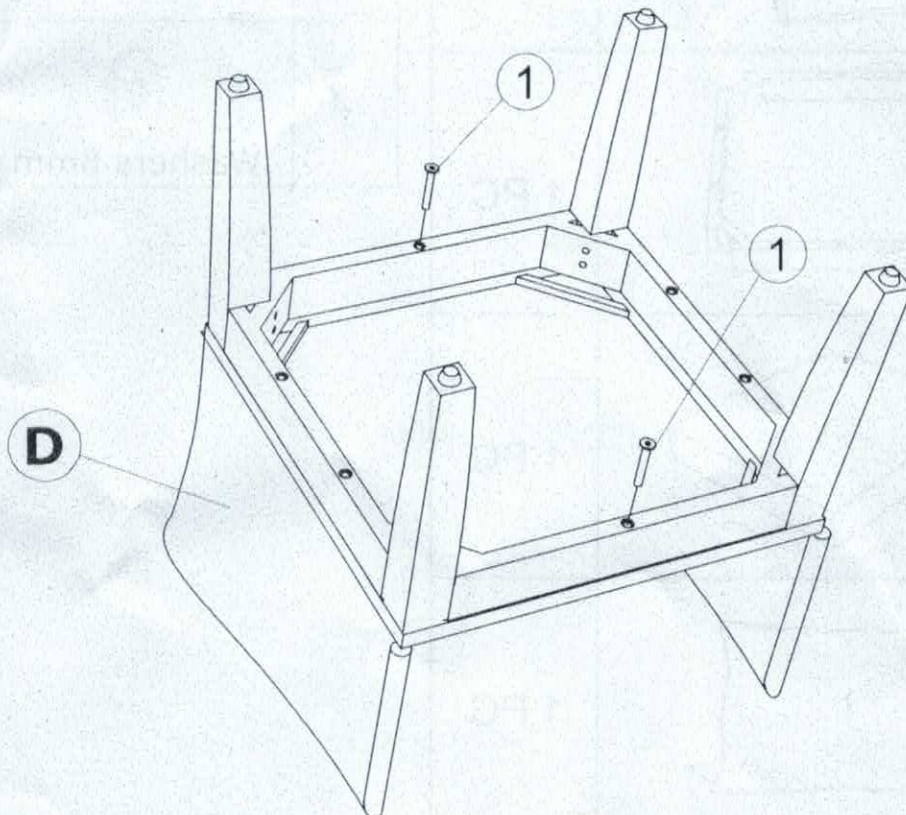
1	 Bolt M6x75mm	6 pcs
2	 Bolt M8x45mm	8 pcs
3	 Allenkey	1 pc
4	 Washers 8mm	8 pcs

X2

1

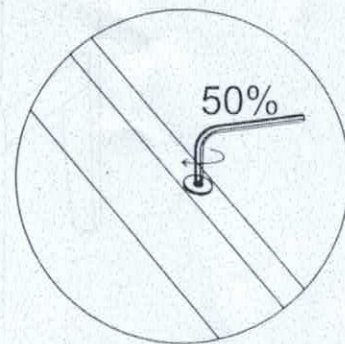
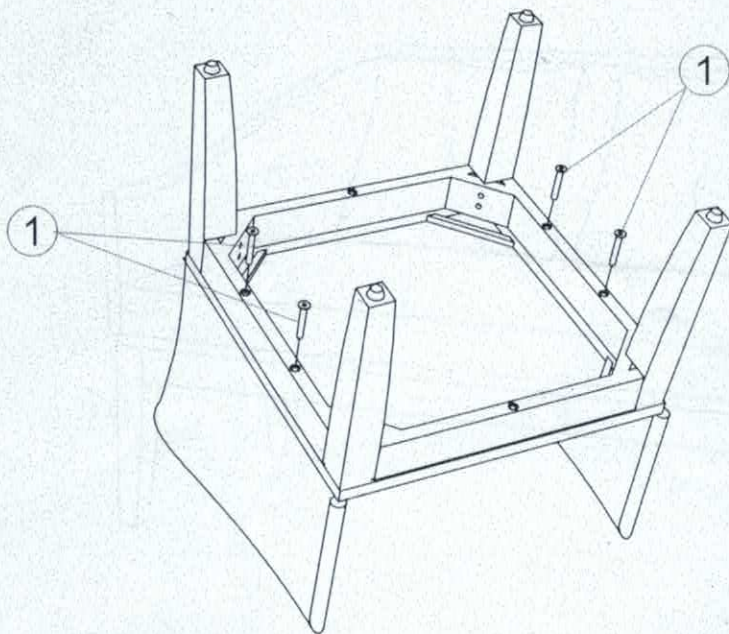


2

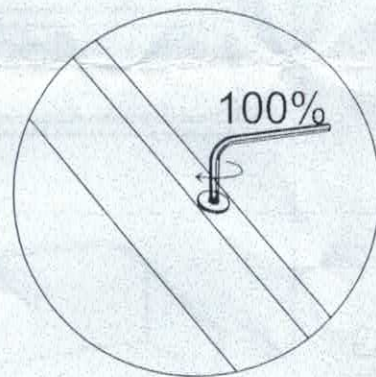
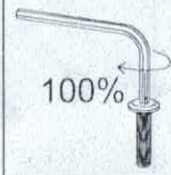
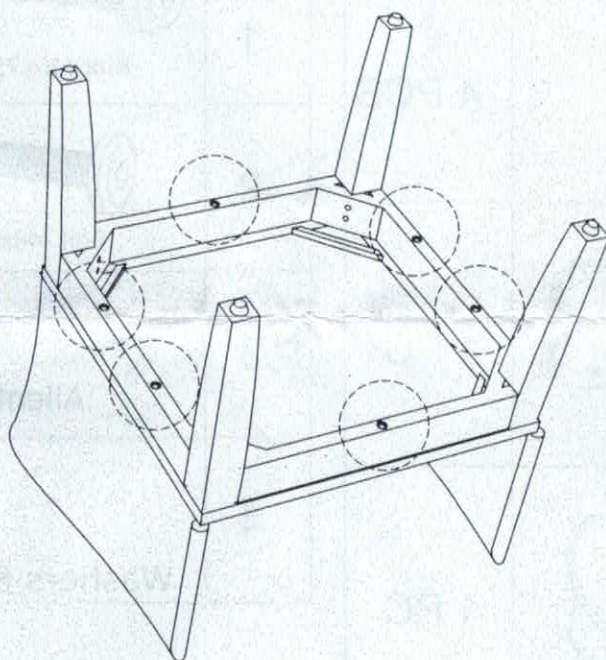


X2

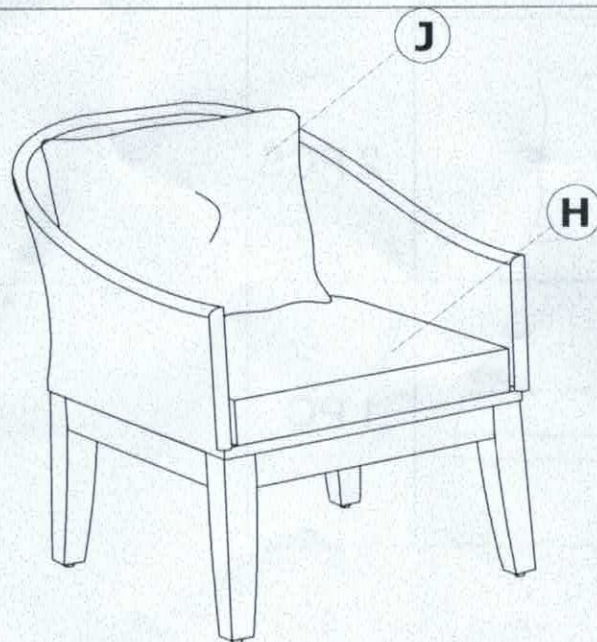
3

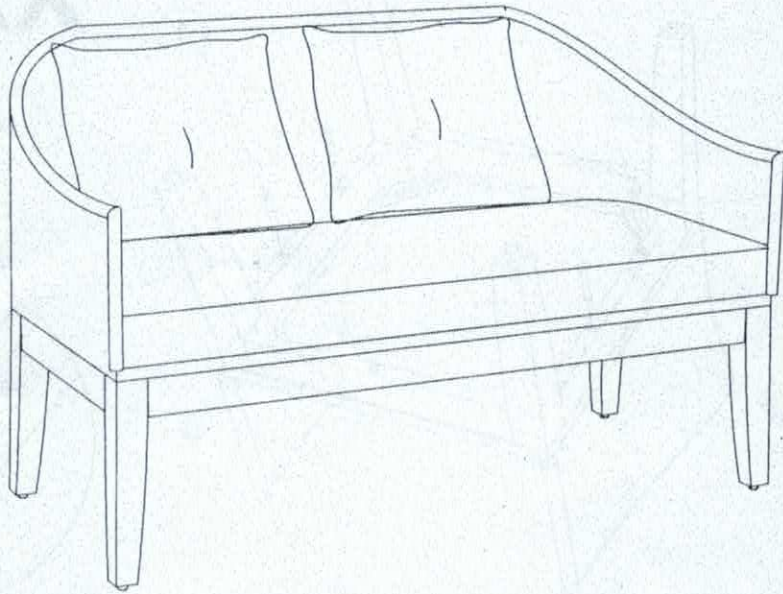




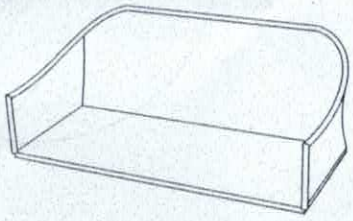
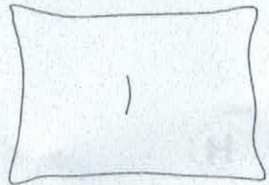
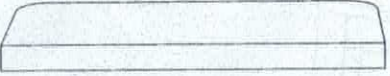
4

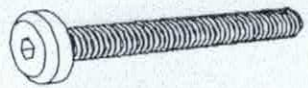
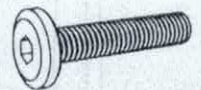




5

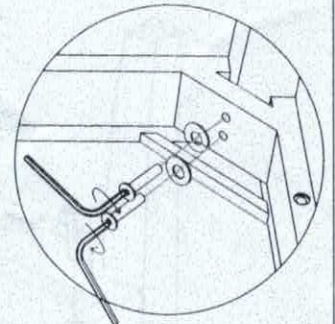
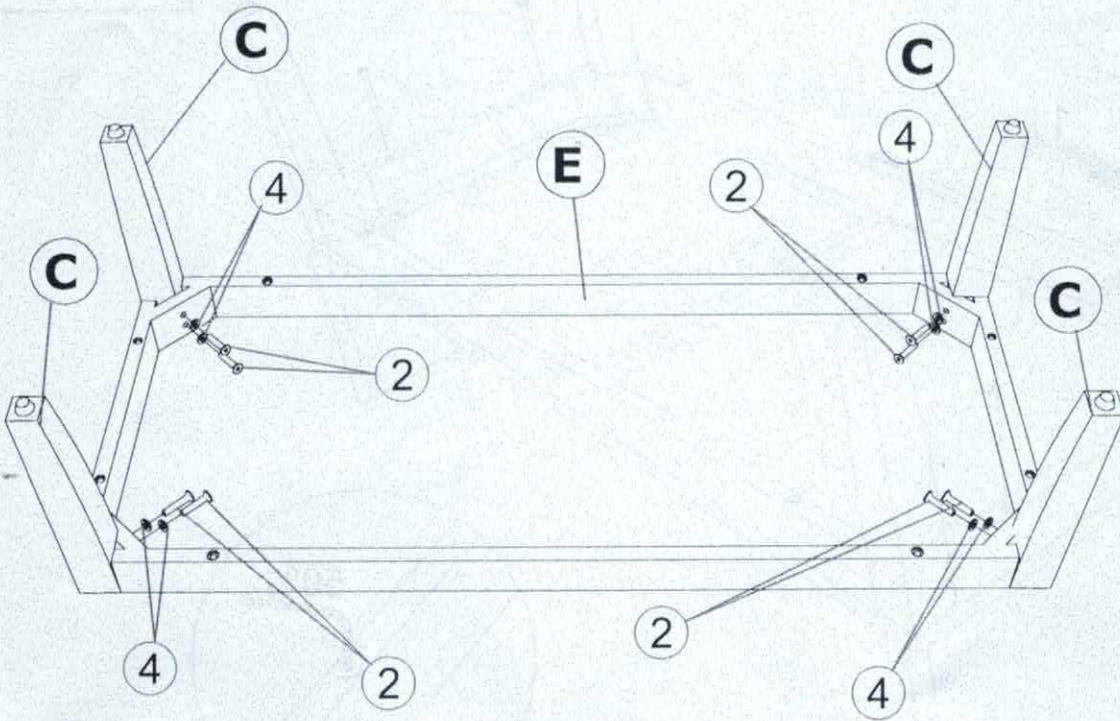




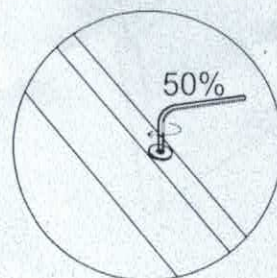
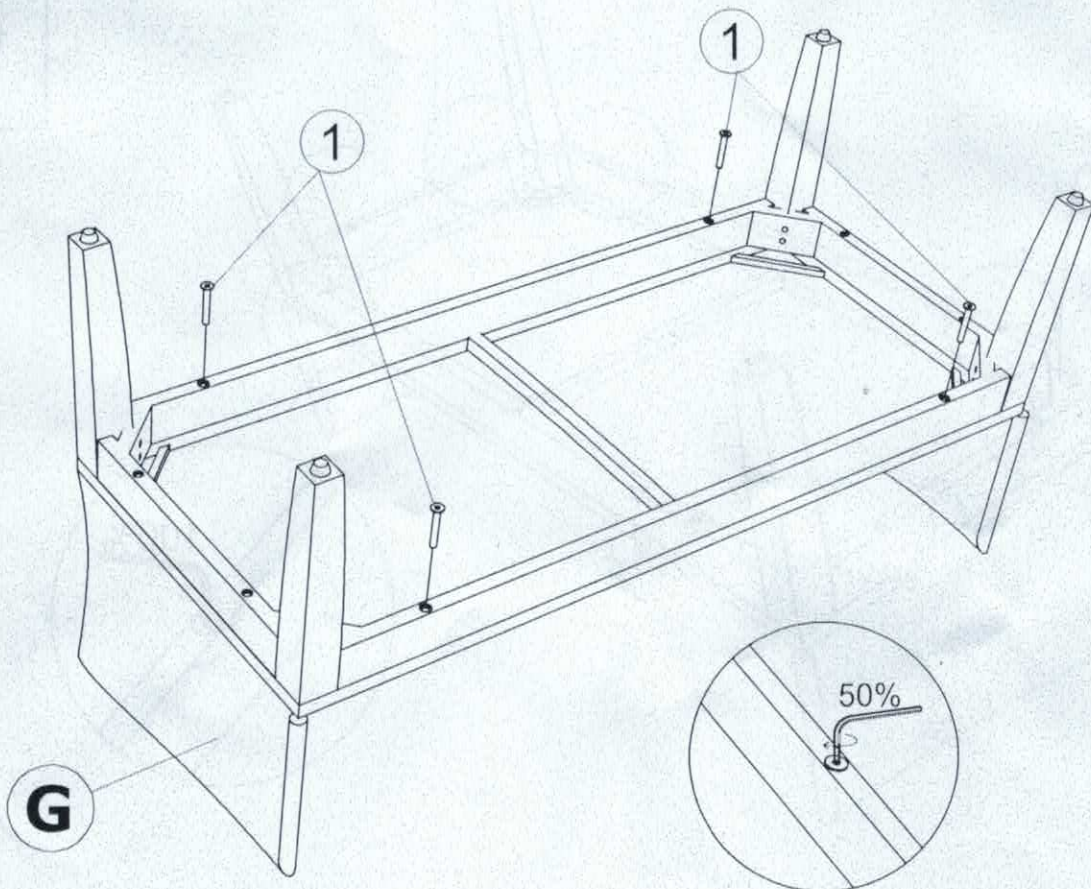
C		4 PCS
E		1 PC
G		1 PC
J		2 PCS
K		1 PC

1	 Bolt M6x75 mm	8 pcs
2	 Bolt M8x45mm	8 pcs
3	 Allenkey	1 pc
4	 Washers 8mm	8 pcs

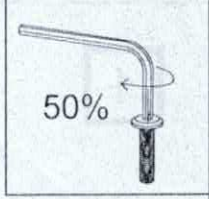
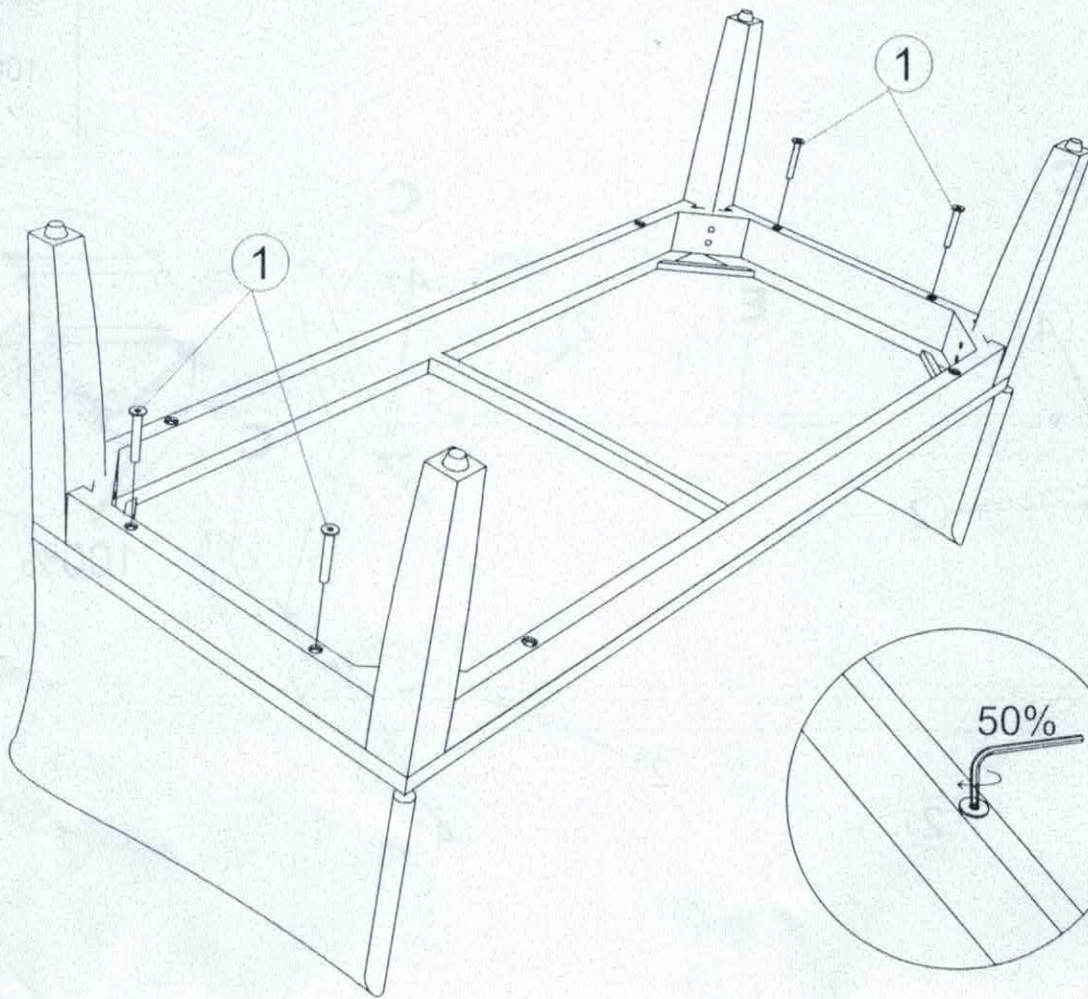
1



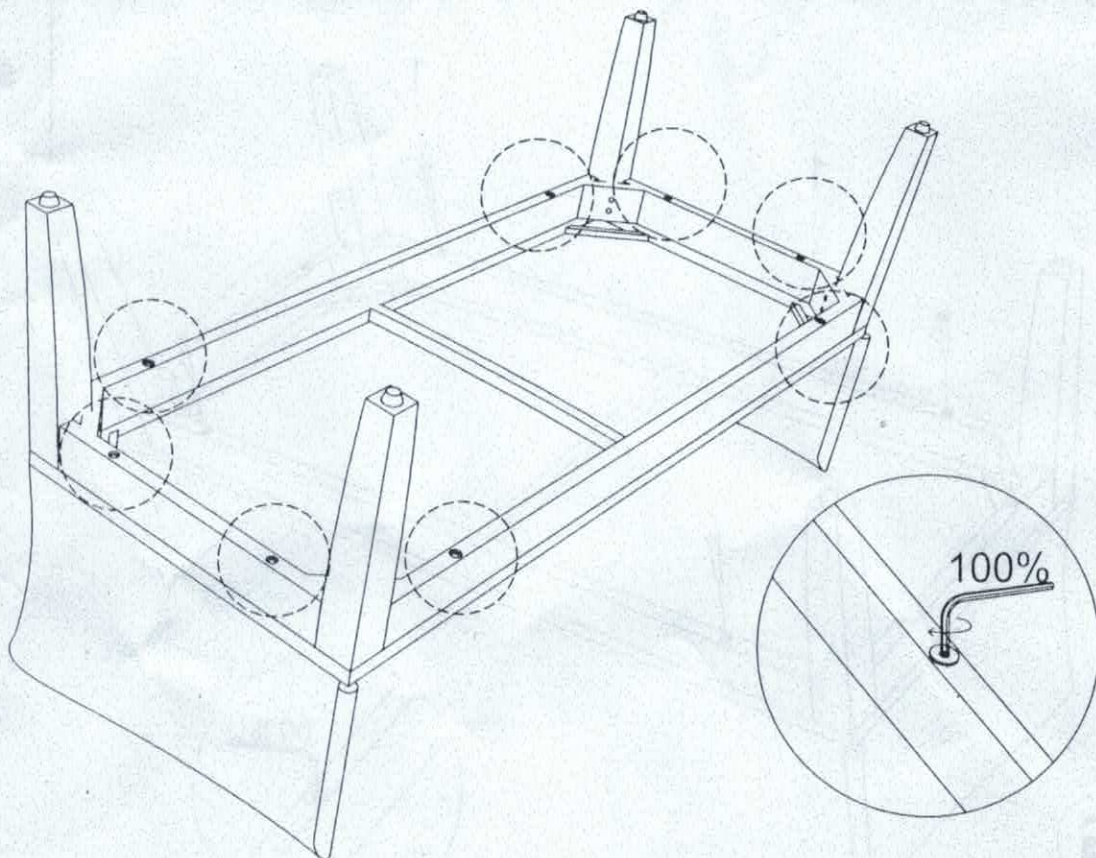
2



3



4



5

