

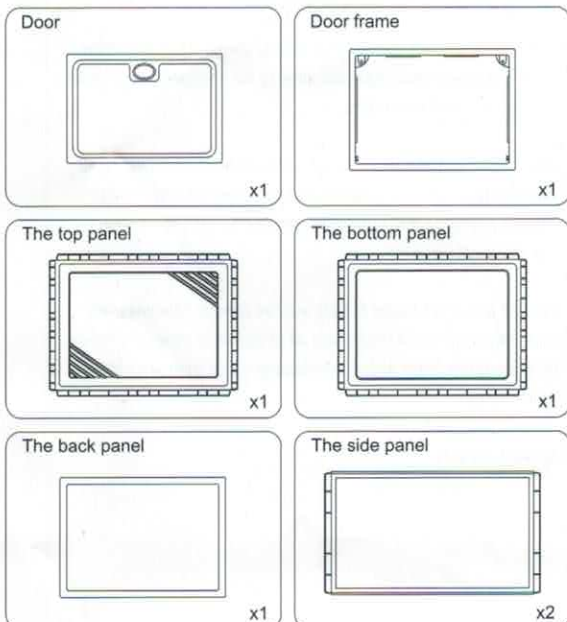
# SHOE STORAGE BOX

Assembly instructions

MODEL:CD-SB-8P-36W

Lay out the accessories and check its quantity and condition according to the part list, any part missing or defective, please feel free to email us to get replacements.

## Part List Of One Shoe Box:

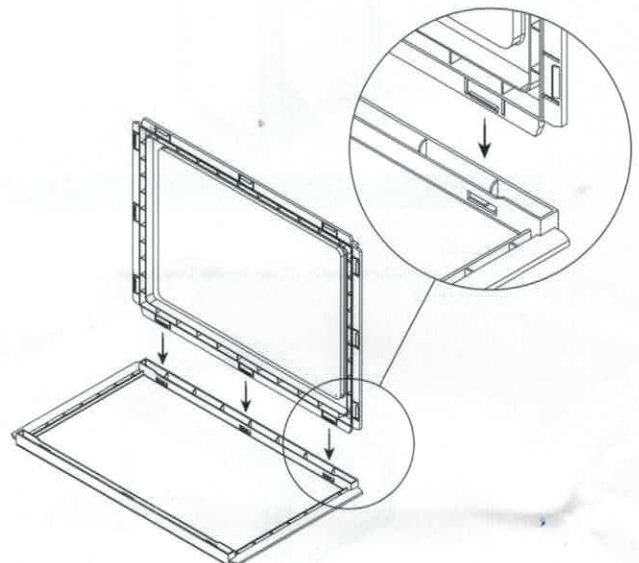


## HOW TO ASSEMBEL THE SHOE BOX ?

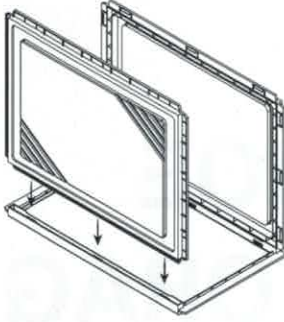
Step 1: Flat the Side Panel, fasten the Bottom Panel to the Side Panel

### Remark:

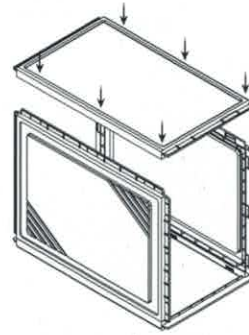
1. Please pay attention to distinguish the inside and outside of the side pane
2. The side with bumps is the inside.



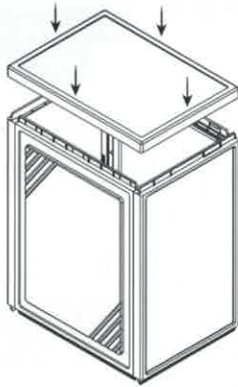
Step 2: Fasten the Top Panel to the Side Panel



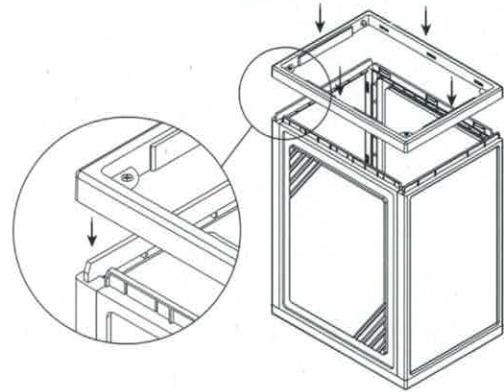
Step 3: Fasten another Side Panel



Step 4: Fasten the Back Panel



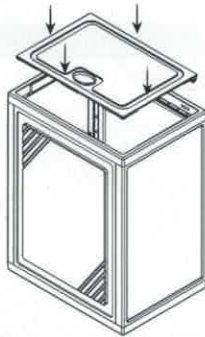
Step 5: Fasten the Door Frame



03

04

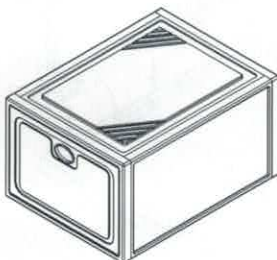
Step 6: Install the Door



Step 7: Complete

**Remark:**

If there are gaps between parts, please tap the shoe box to make it fit tightly



05

**After-sales Service**

**Dear Customer,**

Thanks a million for purchasing this shoe storage box. Your support is highly appreciated.

Our goal is to build mutually beneficial cooperation & relationships between customers and aims to be a reliable, responsible and recommendable brand.

When you received the package, please kindly double check your package and accessories to see if there is any problem. Should you have any questions, please do not hesitate to contact us at any time:

We will spare no efforts to help you as always. We will reply each email within 24 hours and all of our endeavors are made for customers. Your 100% satisfaction is our unchangeable goal forever!

Kindest regards,  
Customer Service Team

06