














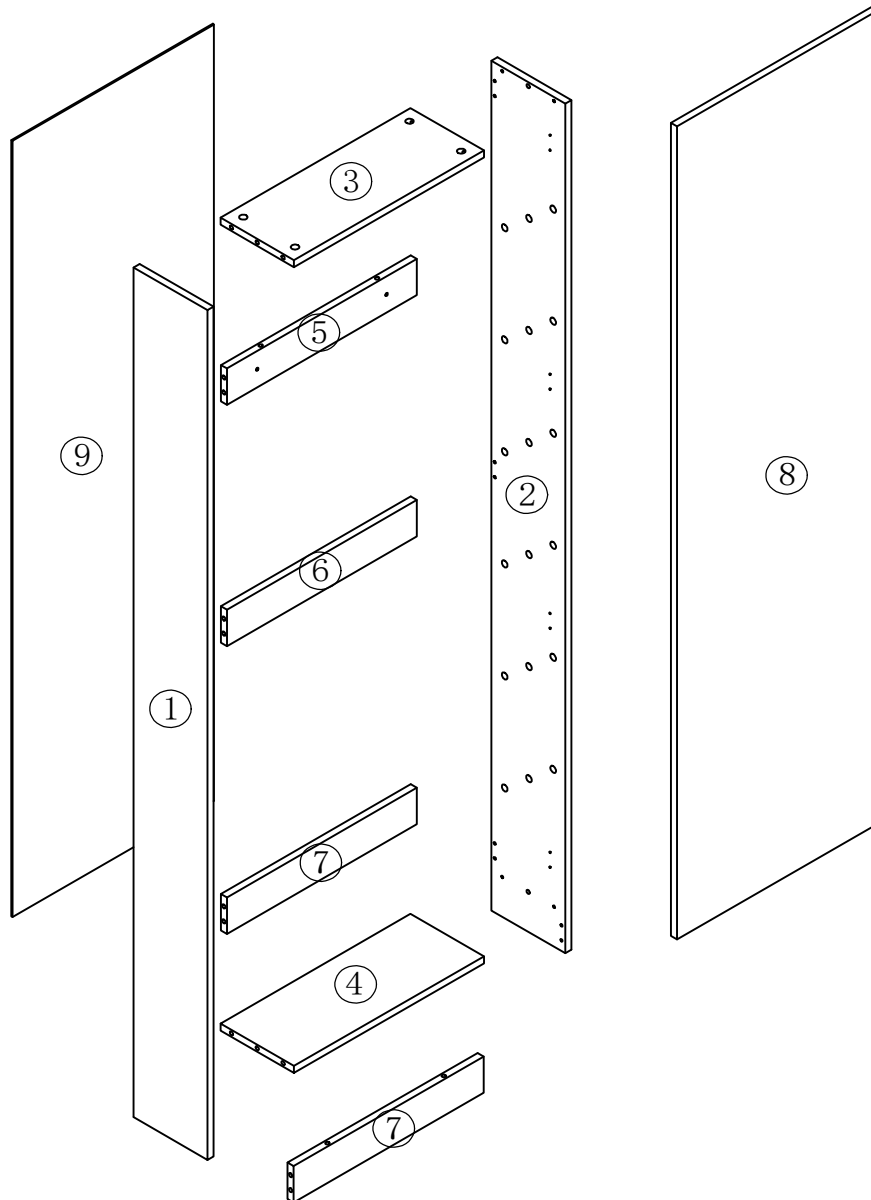


ASSEMBLY INSTRUCTION

AKIRA 6L Shoe Cabinet

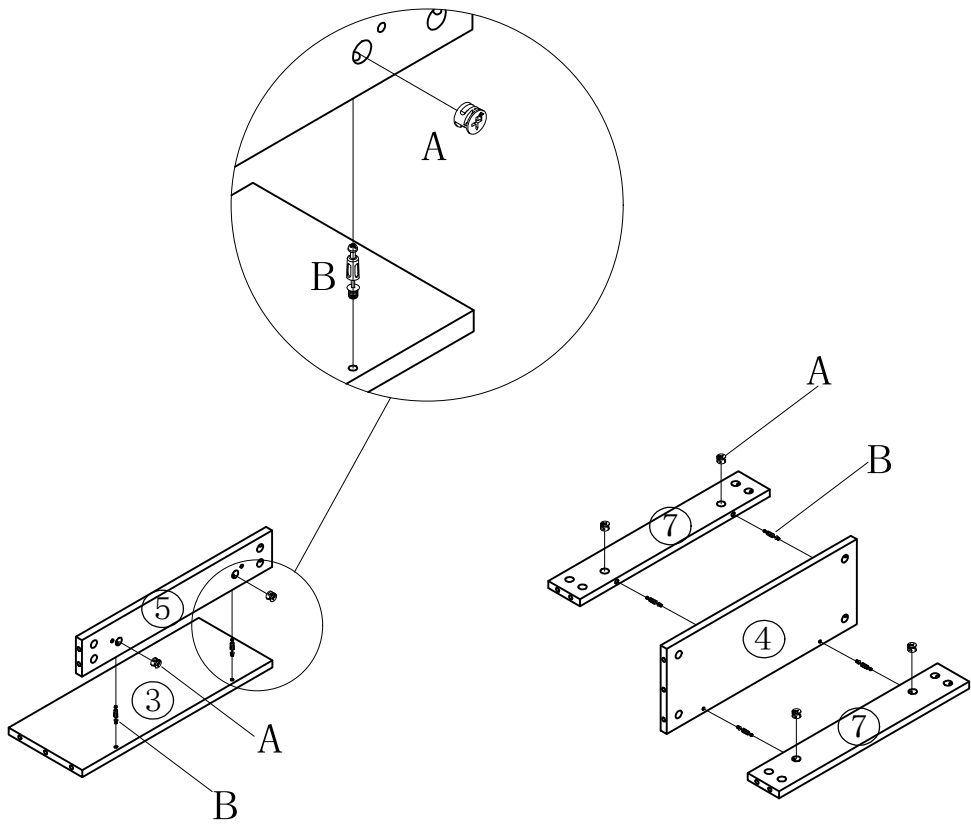
A		Ø 15x12	30	PCS	H		Ø 3.5x14	2	PCS
B		Ø 7x35	30	PCS	I		Ø 4x45	2	PCS
C		Ø 8x30	4	PCS	J		Ø7.8x38	2	PCS
D		Ø 13x488	18	PCS	K		16MM	20	PCS
E			4	PCS	L		Ø 3.5x16	3	PCS
F		Ø 4x16	24	PCS	M			2	PCS
G		300MM	1	PC	N		Ø 14	4	PCS
					O			1	PC



STEP 1

Ax6

Bx6



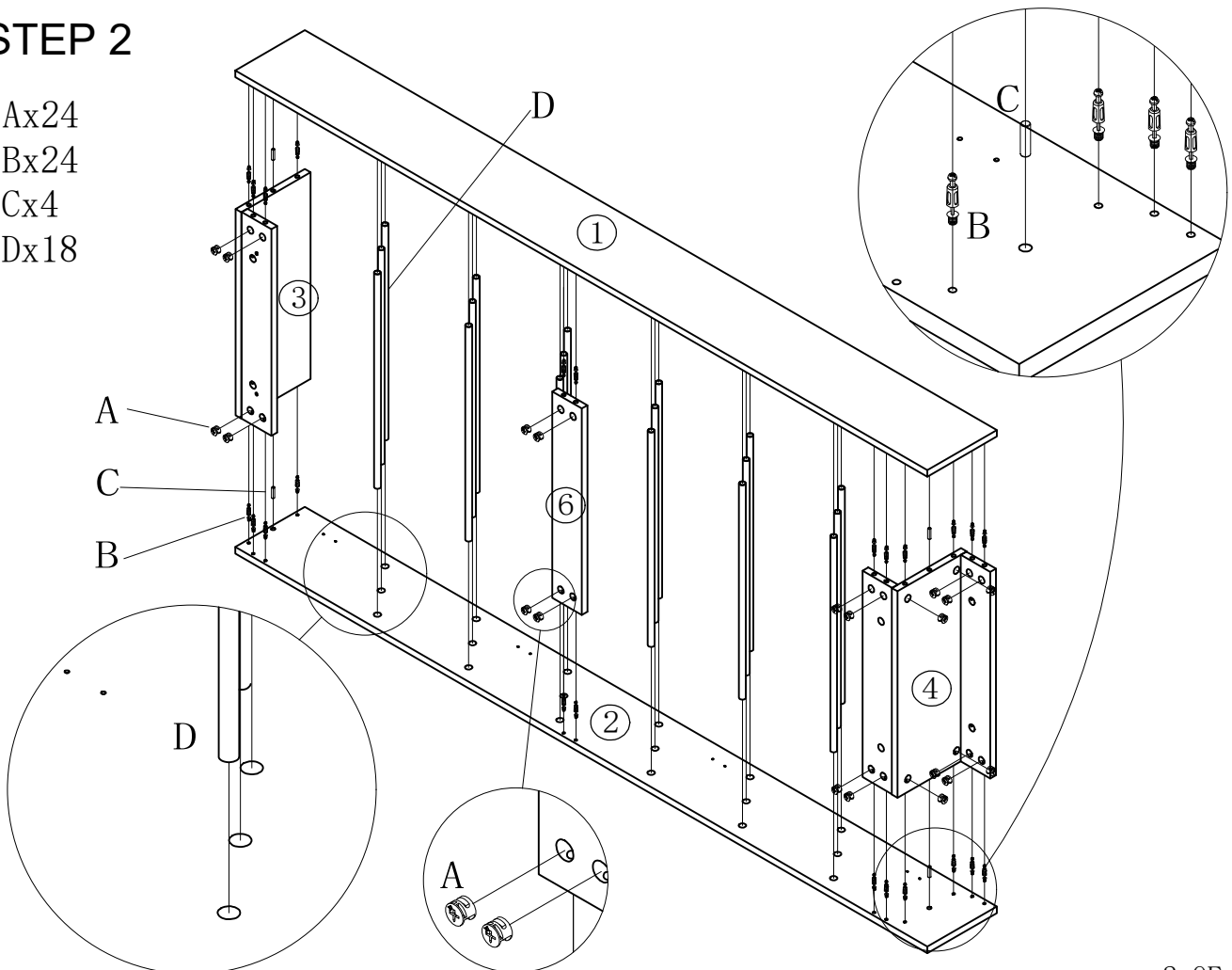
STEP 2

Ax24

Bx24

Cx4

Dx18

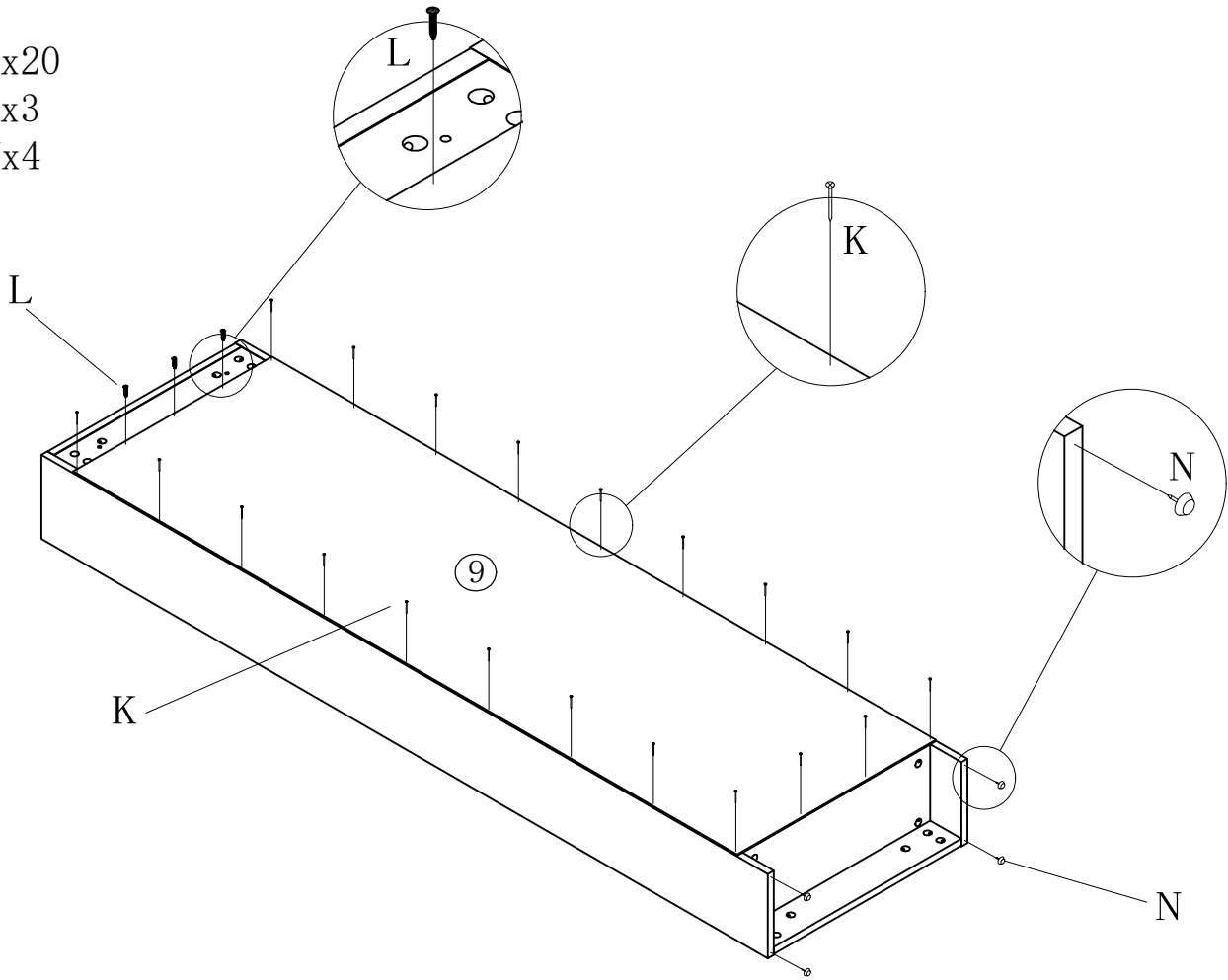


STEP 3

Kx20

Lx3

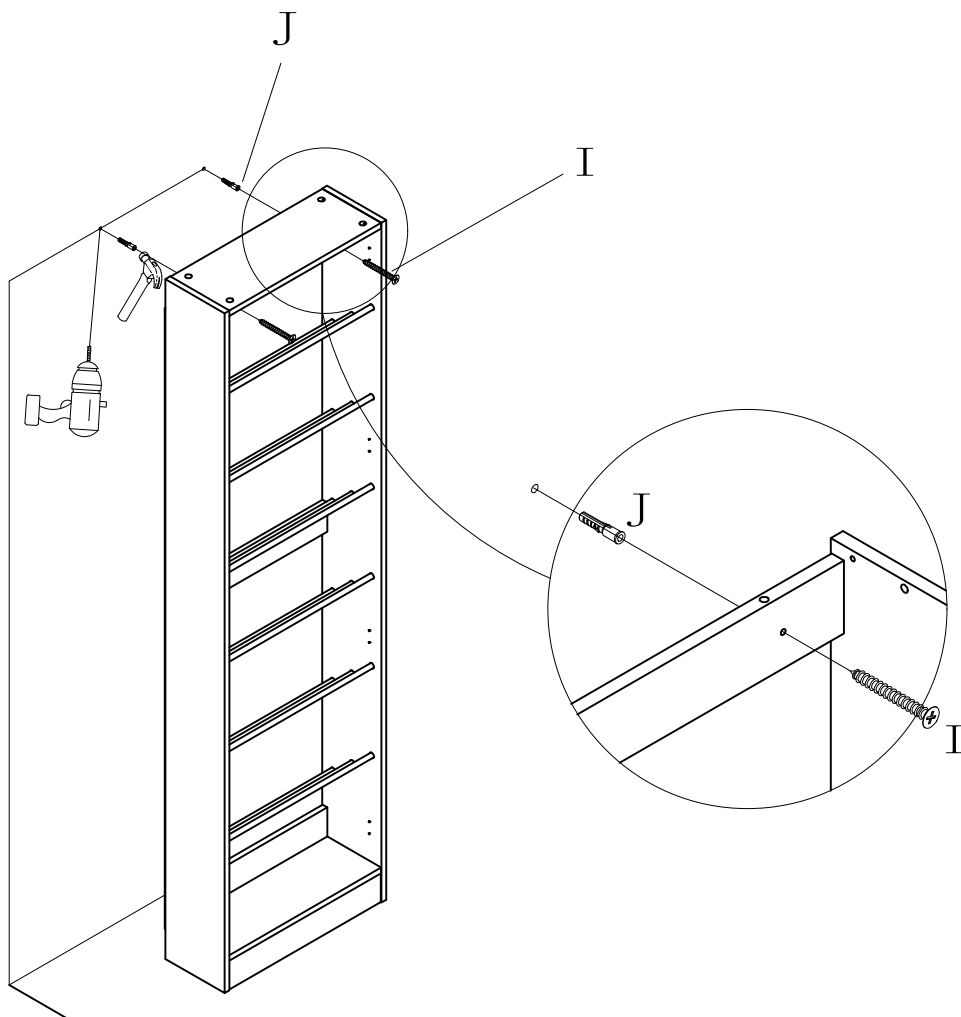
Nx4



STEP 4

Ix2

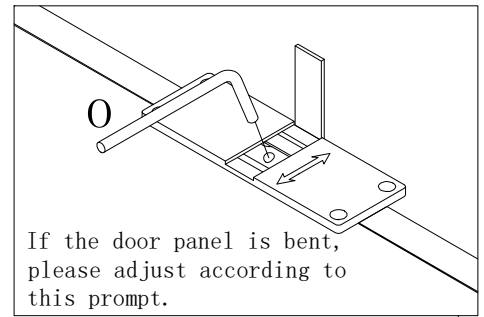
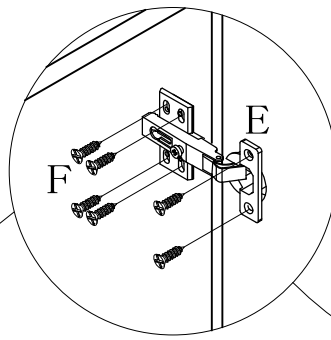
Jx2



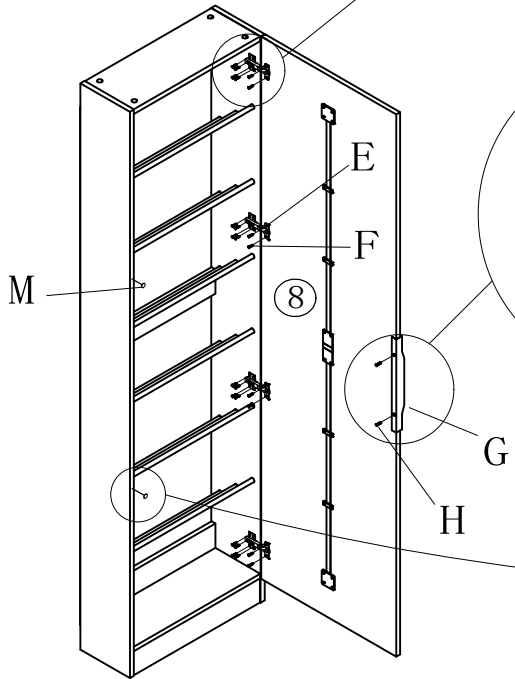
STEP 5

Choose an installation method.

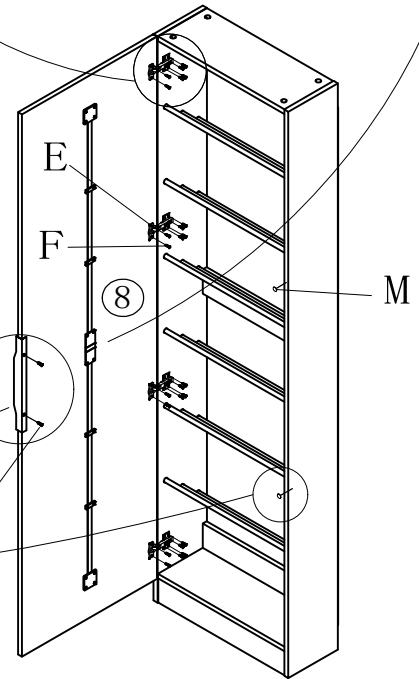
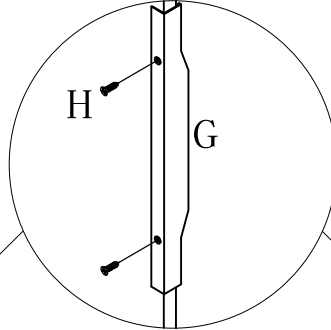
- Ex4
- Fx24
- Gx1
- Hx2
- Mx2



If the door panel is bent, please adjust according to this prompt.

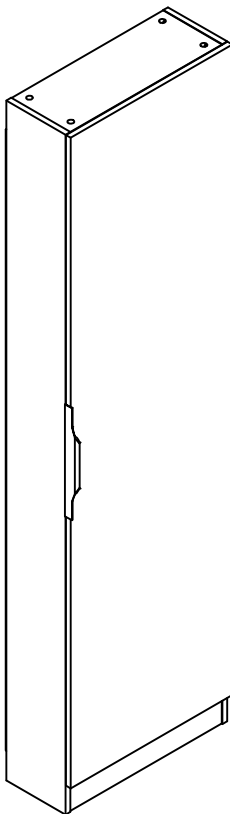


Right installation door

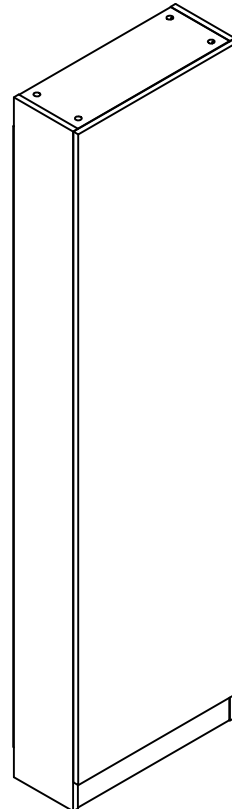


Left installation door

FINISH



R



L