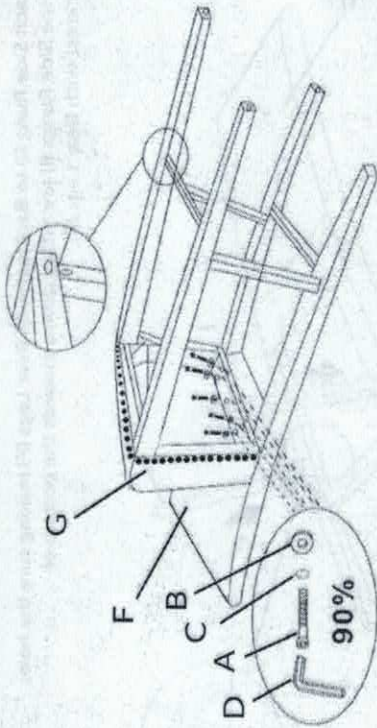
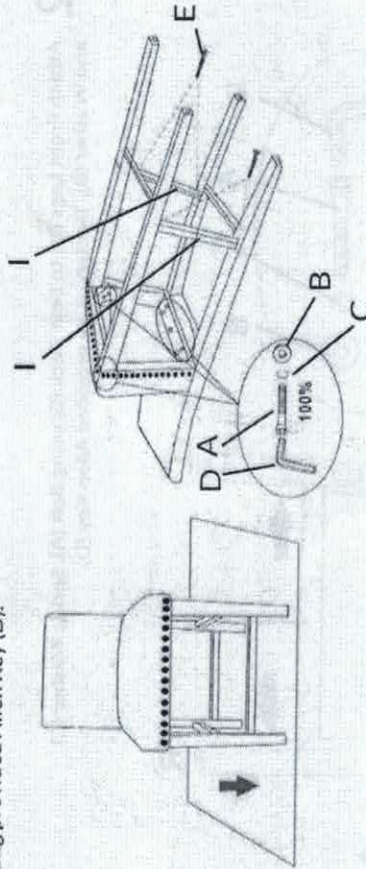


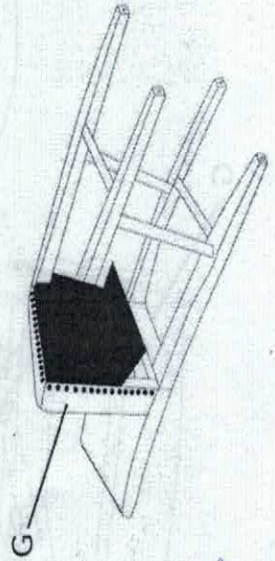
- 3** Attach Seat Deck (G) to Backrest with Rear Legs (F) using Bolt (A), Spring Washer (C) and Washer (B). Tighten using provided Allen Key (D).



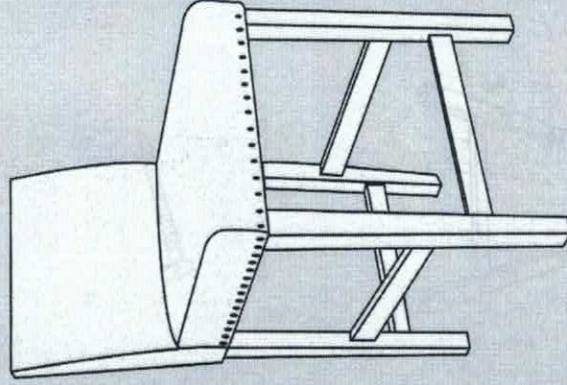
- 4** Stand the stool upright and ensure it is level before tightening all bolts. Then, secure Side Rung (I) to the Legs using Screw (E). Tighten using a Screw Driver. Then, secure Bolt (A), Spring Washer (C) and Washer (B) under Seat Deck (G) using provided Allen Key (D).



- 5** Secure Velcro under Seat Deck (G).



MADRID NAIL HEAD BAR STOOL



ADULT ASSEMBLY REQUIRED

If you are missing any parts or have any questions regarding assembly, do not return this item to the retailer's store. Please call our toll-free, customer service number and have this assembly manual open to the parts list ready to provide the model name, number and part name or number.



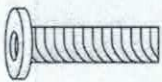
V3

Model: _____
Lot No: _____
Date of Purchase: _____

WARNING: This product may contain small components, please ensure they are kept away from small children.

PARTS AND HARDWARE

Avoid using sharp objects such as a knife to cut open packing as you may accidentally damage the upholstery.



A. Bolt M8x55mm
9x



B. Washer
9x



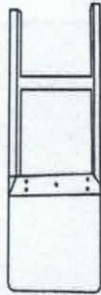
C. Spring Washer
9x



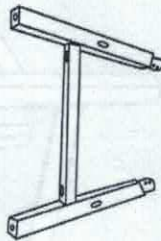
D. Allen Key
1x



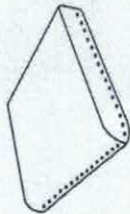
E. Screw M4x45
4x



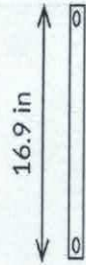
F. Backrest with Rear Legs
1x



H. Front Legs
1x



G. Seat Deck
1x

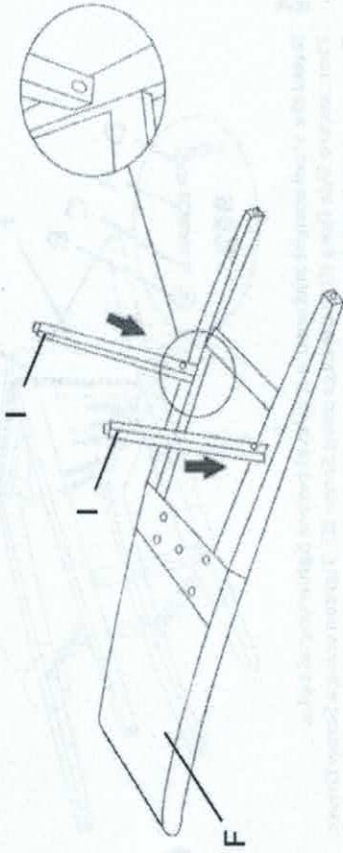


I. Side Rung
2x

ASSEMBLY INSTRUCTIONS

Do not fully tighten bolts until assembly is complete.

- 1 Attach Side Rung (I) to Backrest with Rear Legs (F) making sure the holes on the Side Rungs (I) are facing down, towards the bottom of Backrest with Rear Legs (F).



- 2 Attach Front Legs (H) to Seat Deck (G) using Bolt (A), Spring Washer (C) and Washer (B). Tighten using provided Allen Key (D).

