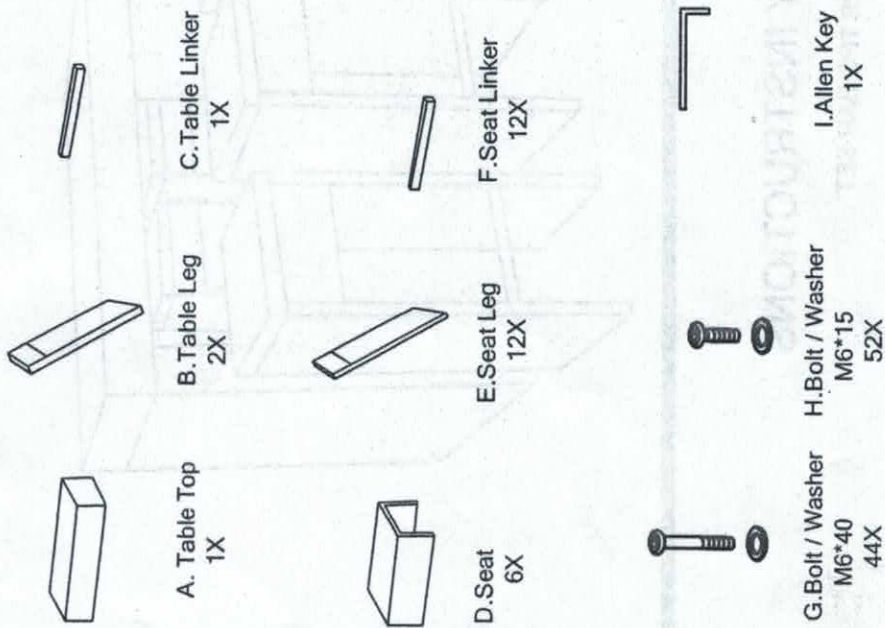


PARTS AND HARDWARE

Avoid using sharp objects such as a knife to cut open packing as you may accidentally damage the upholstery.



Do not fully tighten bolts until assembly is complete.

1. Assemble the table leg (B) and table linker (C) to the table top (A), using bolts and washer (G&H).

