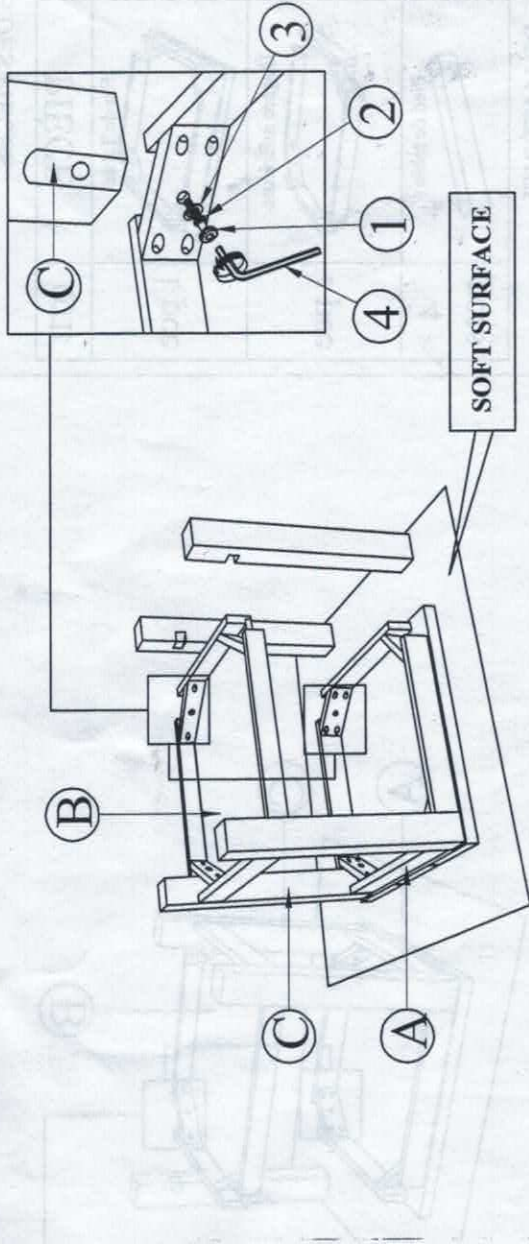


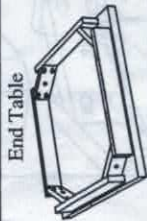


ASSEMBLY INSTRUCTIONS

STEP 1 : Assemble top End table (A), bottom shelf (B) & leg (C) secure with JCBC (1), Spring washer (2) and Flat washer (3). Tighten with Allen Key (4) as shown.




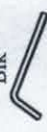


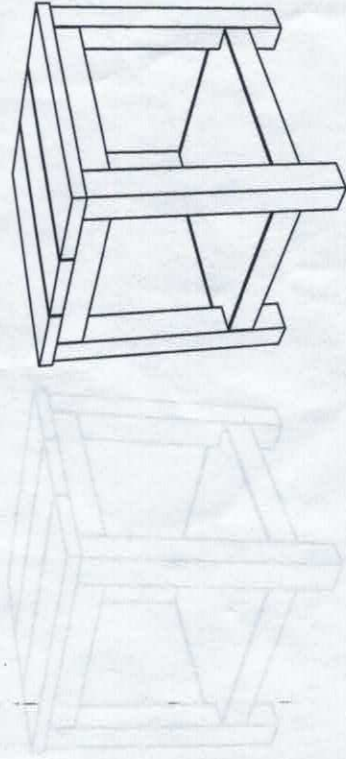
MODEL
:C63770-OE1/C81080-OE1
END TABLE

PART LIST

No	ITEM	Qty
A	 End Table	1 pc
B	 Bottom Shelf	1 pc
C	 Table Leg	4 pcs

HARDWARE LIST

No	ITEM	Qty
1	JCBC M6 x 60mm 	8 pcs
2	SPRING WASHER 1/4" Rbw 	8 pcs
3	Flat Washer 1/4"ID x 19mmOD Blk 	8 pcs
4	ALLEN KEY m4x65mm Blk 	1 pc



COMPLETE ASSEMBLY

NOTE : MUST TIGHTEN SCREWS PERIODICALLY WITH USE SCREW WILL BECOME LOOSE CHECK TIGHTNESS OF ALL SCREW EVERY 6-8 WEEKS.