

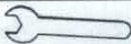
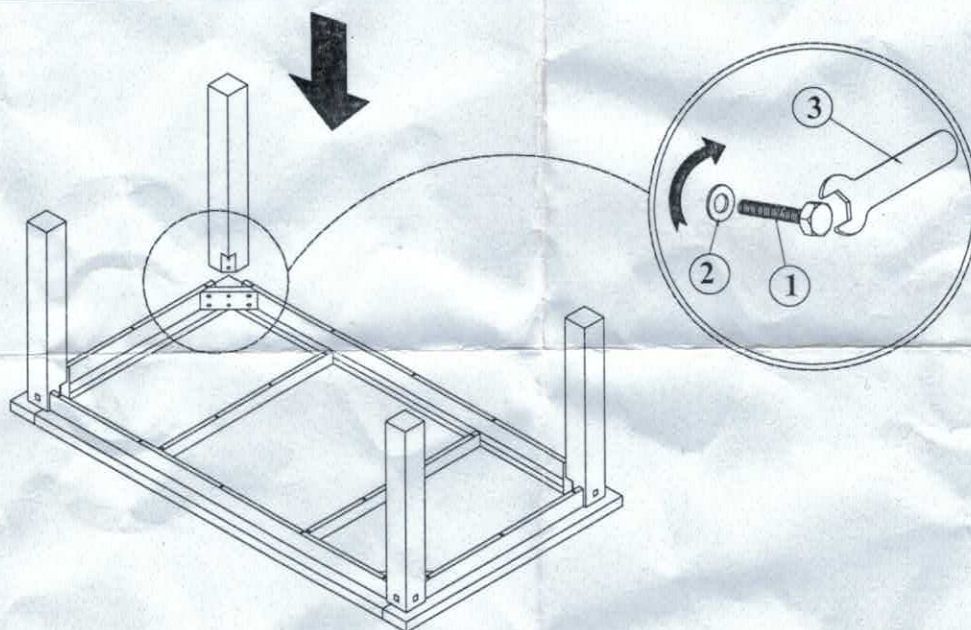
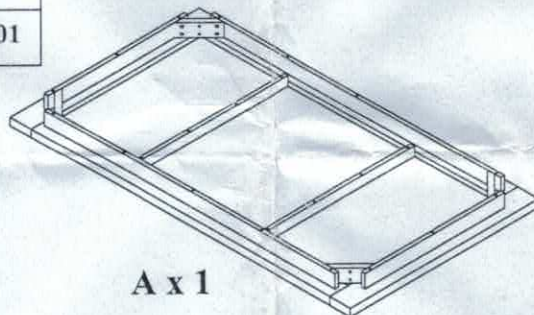
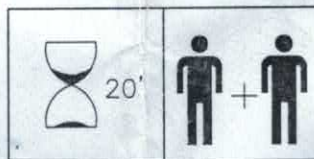


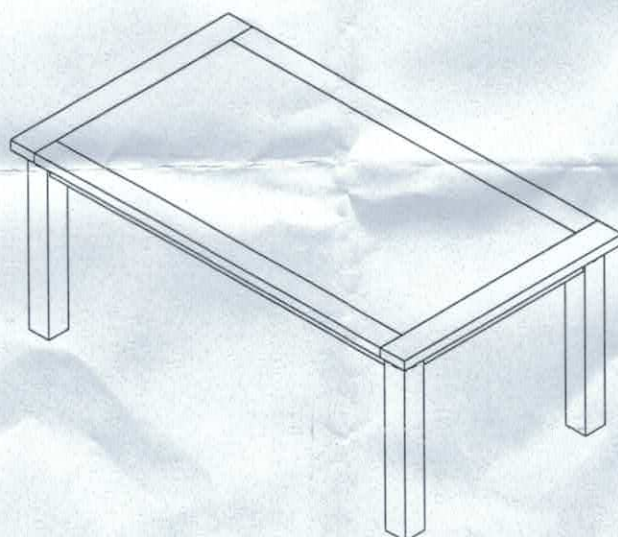
ASSEMBLY INSTRUCTIONS

WES - DINING TABLE

No.	Hardware	Q.ty
①	Bolts M10x60 	08
②	Washers M10xØ30 	08
③	Wrench 17 	01



STEP 1 :



FINISHED