

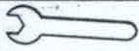
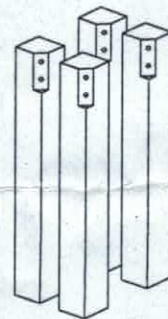
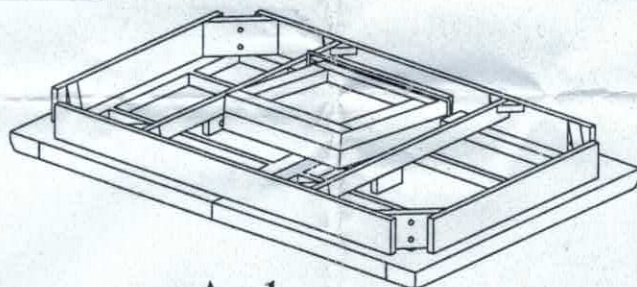
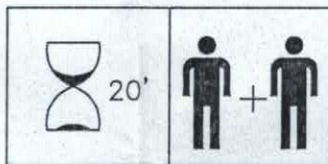


# ASSEMBLY INSTRUCTIONS

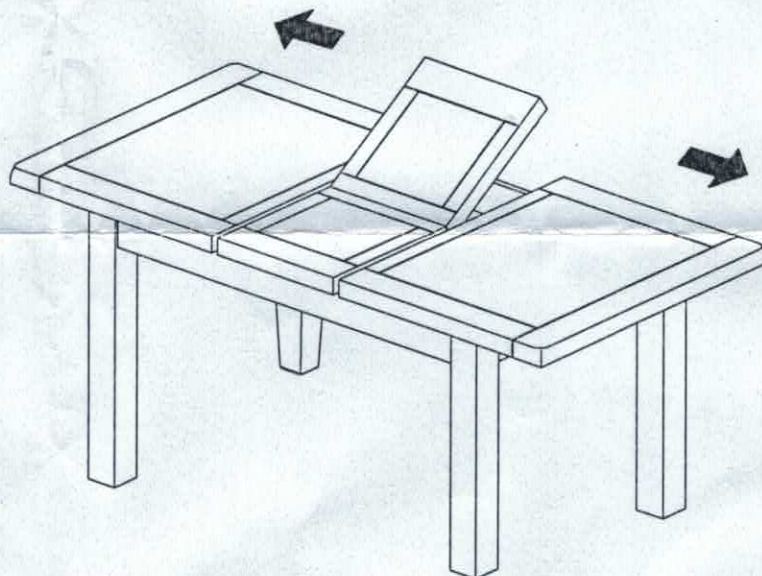
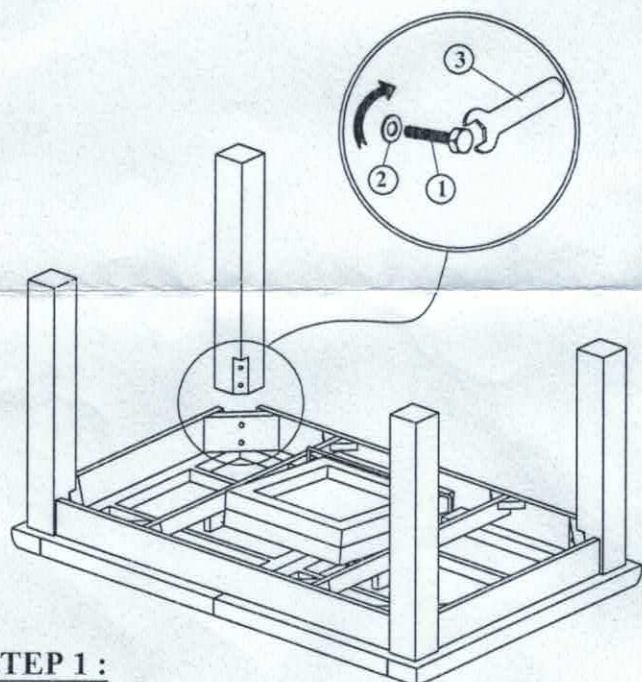
WES-BA150ext/IF

No.	Hardware	Q.ty
①	Bolts M10x60 	08
②	Washers M10xØ30 	08
③	Wrench 17 	01

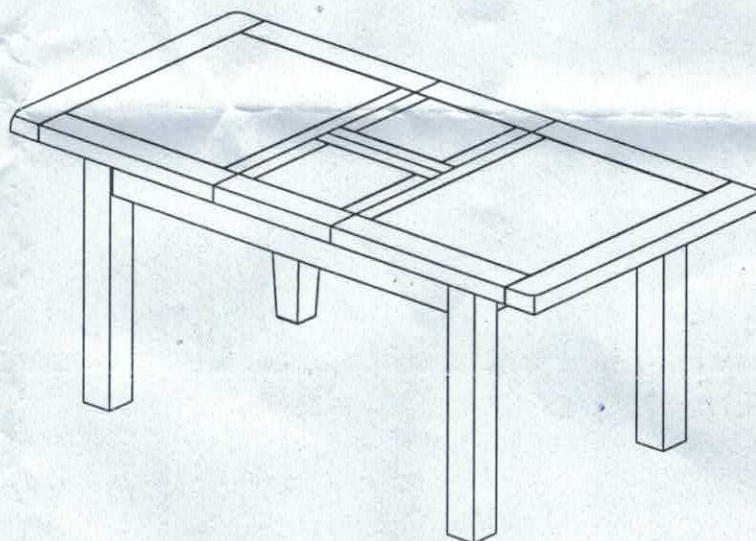
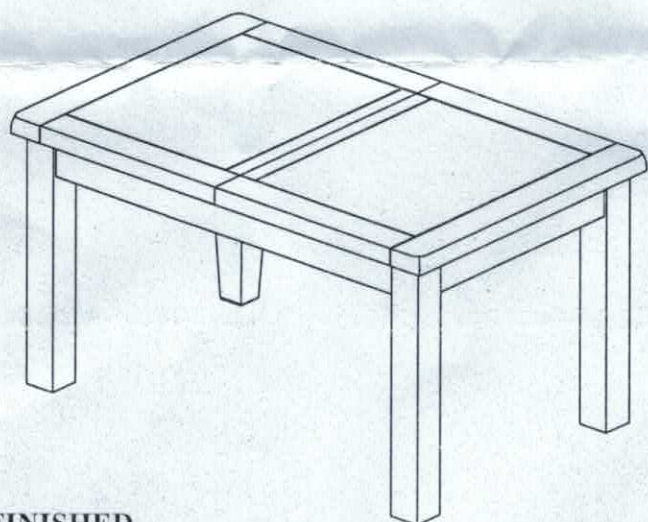


A x 1

B x 4



**STEP 1 :**



**FINISHED**