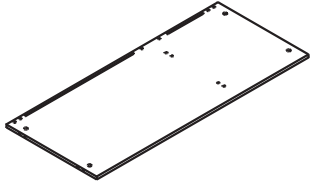
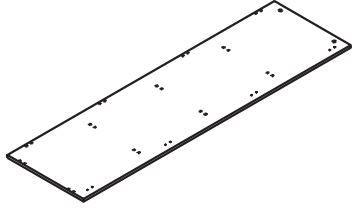
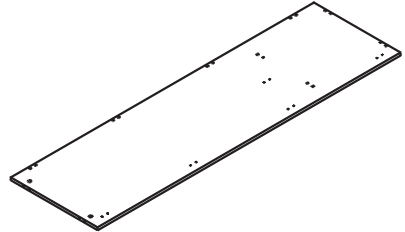
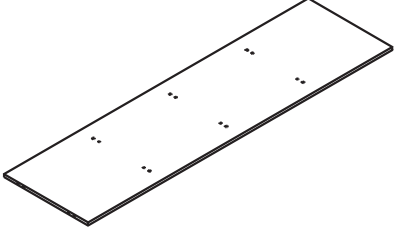
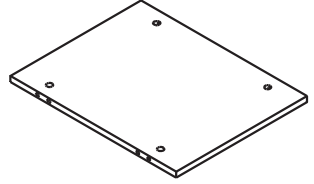
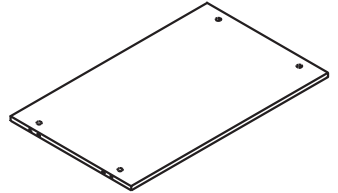
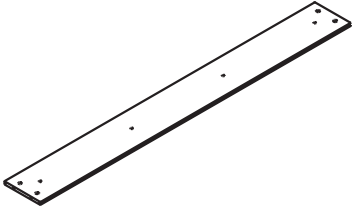
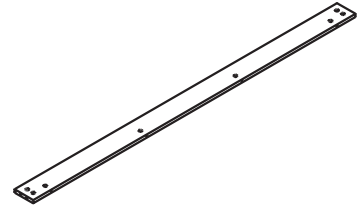
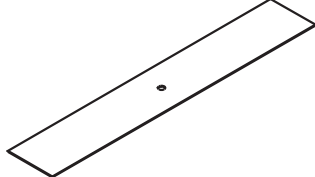
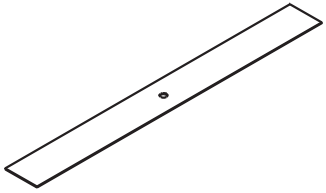
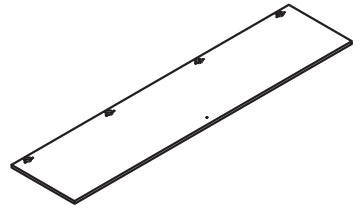
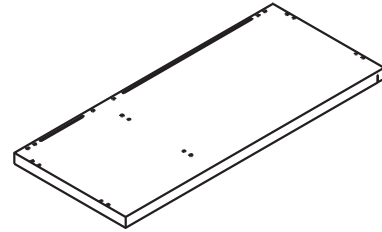
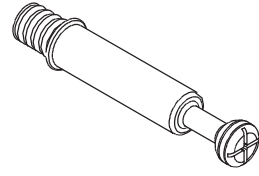
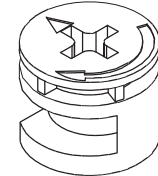
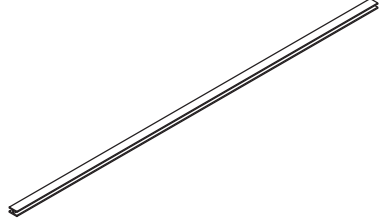
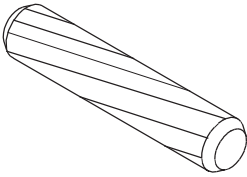
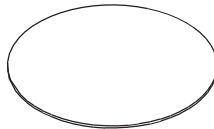
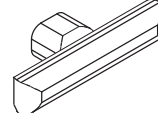

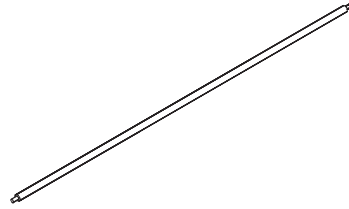
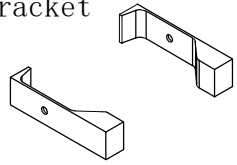


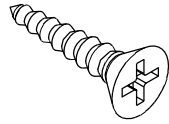
<p>① Top panel</p>  <p>1170W*500D*15H 1×</p>	<p>② Right side panels</p>  <p>1750W*500D*15H 1×</p>	<p>③ Left side panels</p>  <p>1750W*500D*15H 1×</p>	<p>④ Center vertical panel</p>  <p>1735W*479D*15H 1×</p>	<p>⑤ Left fixed panel</p>  <p>337W*478D*15H 3×</p>						
<p>⑥ Right fixed panel</p>  <p>777W*478D*15H 1×</p>	<p>⑦ Back framework panel 1</p>  <p>1735W*200D*15H 1×</p>	<p>⑧ Back framework panel 2</p>  <p>1735W*100D*15H 2×</p>	<p>⑨ Back panel 1</p>  <p>1745W*296D*15H 2×</p>	<p>⑩ Back panel 2</p>  <p>1170W*500D*15H 1×</p>						
<p>⑪ Door panel</p>  <p>1747W*397D*15H 3×</p>	<p>⑫ Bottom panel</p>  <p>1202W*517D*50H 1×</p>	<p>A、Cam pin</p>  <p>52+1×</p>	<p>B、Cam lock</p>  <p>52+2×</p>	<p>C、Backboard strip</p>  <p>1×</p>						
<p>D、Dowel</p>  <p>36×</p>	<p>E、Cam Cover</p>  <p>52×</p>	<p>F、T-shape pull handle</p>  <p>3×</p>	<p>G、Puller screw</p>  <p>3×</p>	<p>H、Clothes rail</p>  <p>1×</p>						
<table border="1"> <tr> <td>Model</td> <td>GF795-1205</td> </tr> <tr> <td>Name</td> <td>Three-door closet</td> </tr> <tr> <td>Size</td> <td>1200W*517D*1800H</td> </tr> </table>					Model	GF795-1205	Name	Three-door closet	Size	1200W*517D*1800H
Model	GF795-1205									
Name	Three-door closet									
Size	1200W*517D*1800H									

I. Hanging bracket



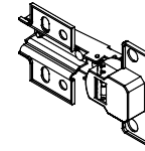
2×

J. Japanese-made nails



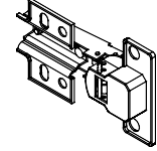
76+2×

K. Straight-curved hinge



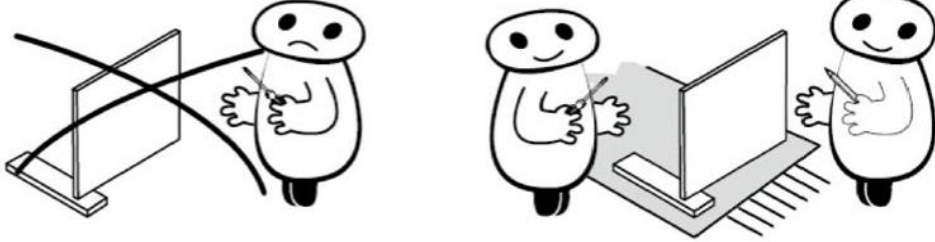
8×

L. Mid-curve hinge



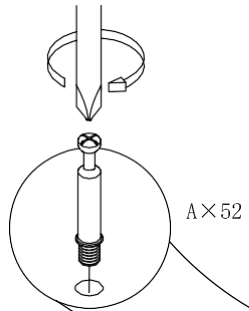
4×

Install by 2 persons

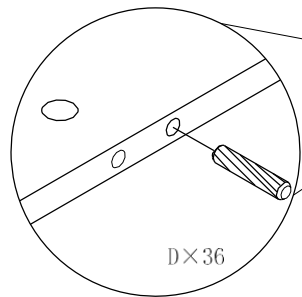


Step 1

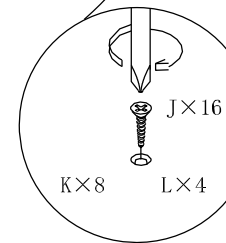
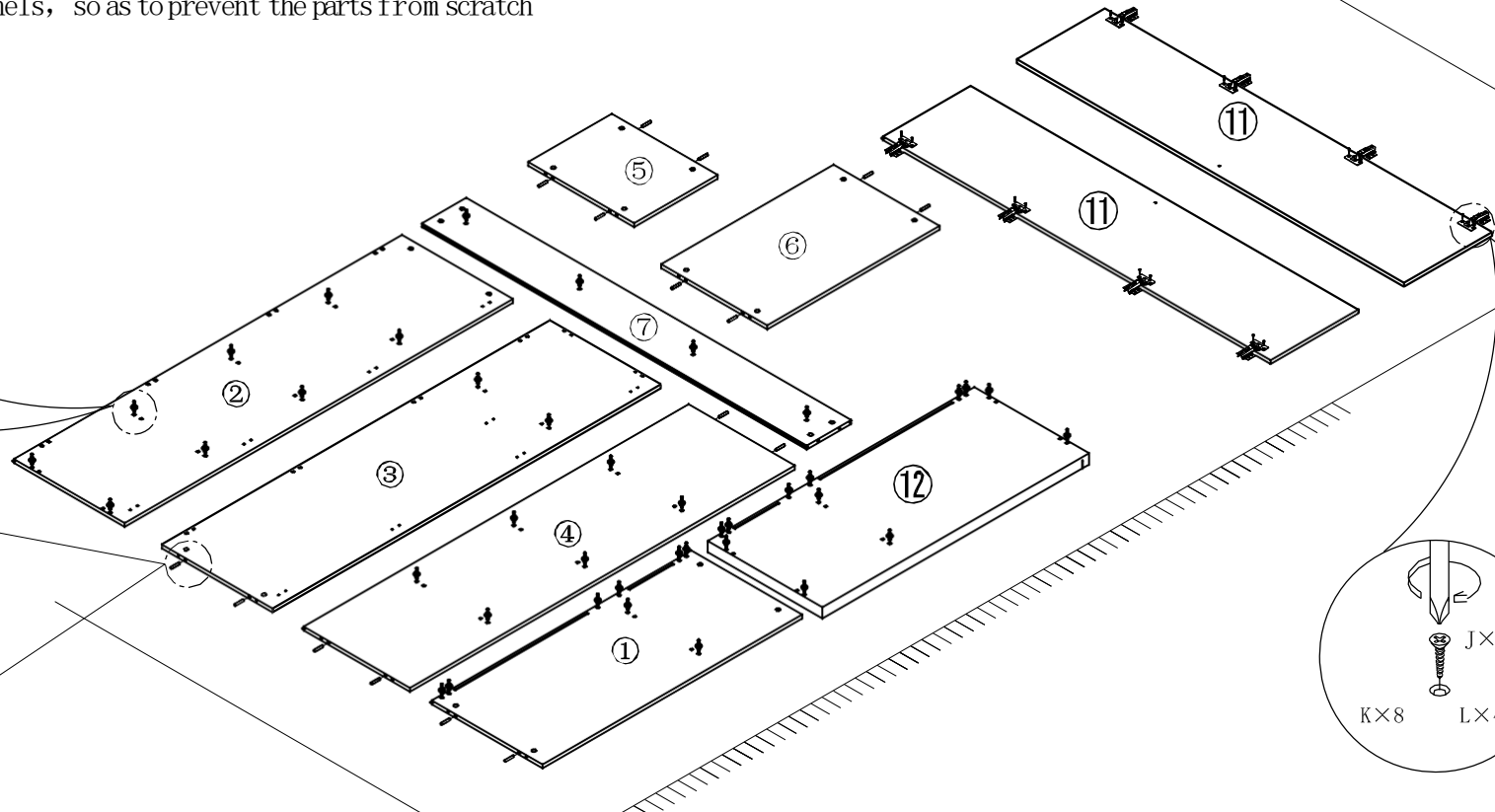
Attention: First of all, put a piece of carton or rug on the floor, and then begin to install the panels, so as to prevent the parts from scratch



A x 52

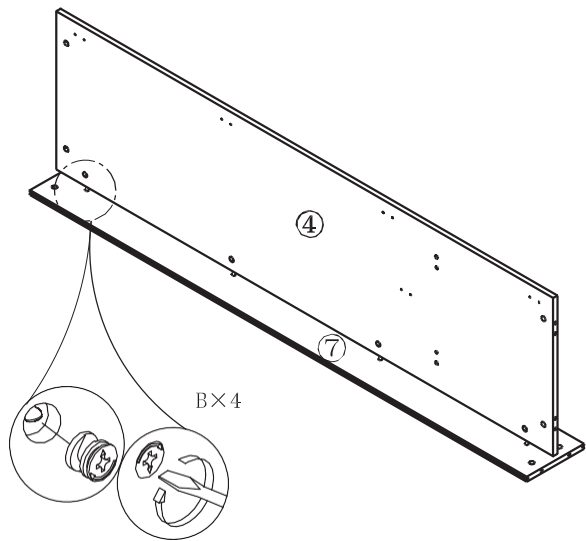


D x 36

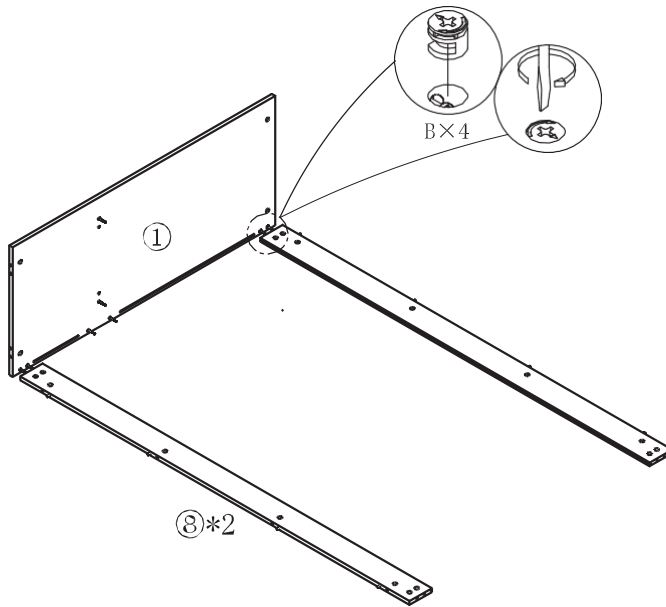


J x 16
K x 8 L x 4

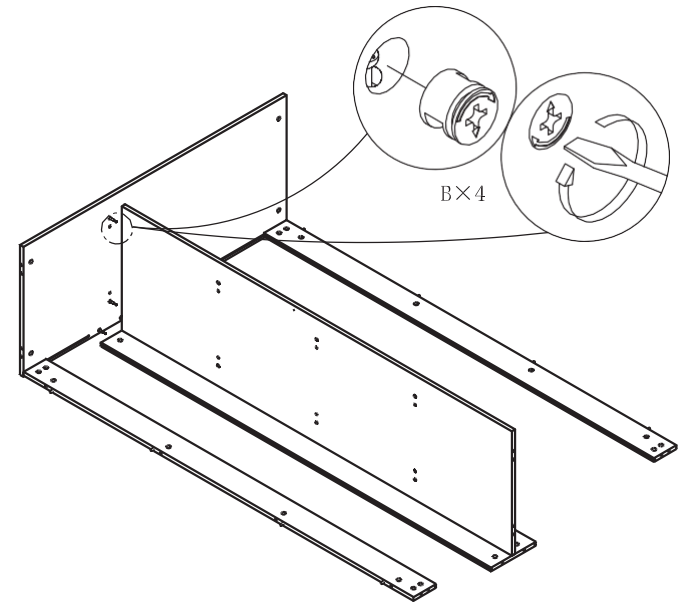
Step 2



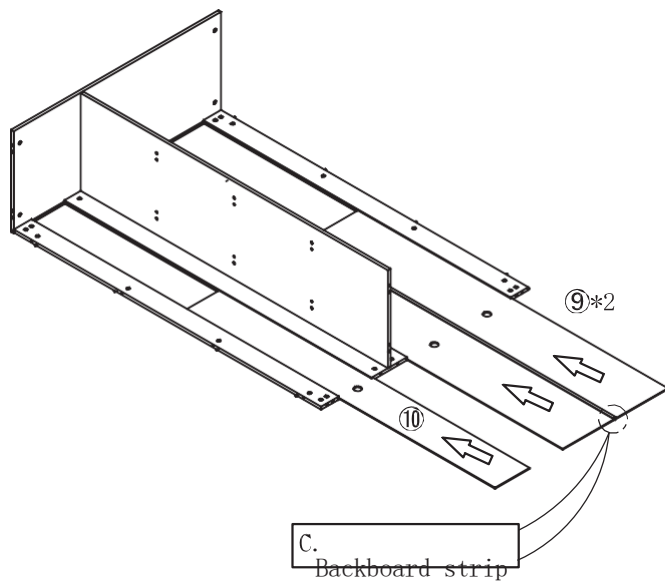
Step 3



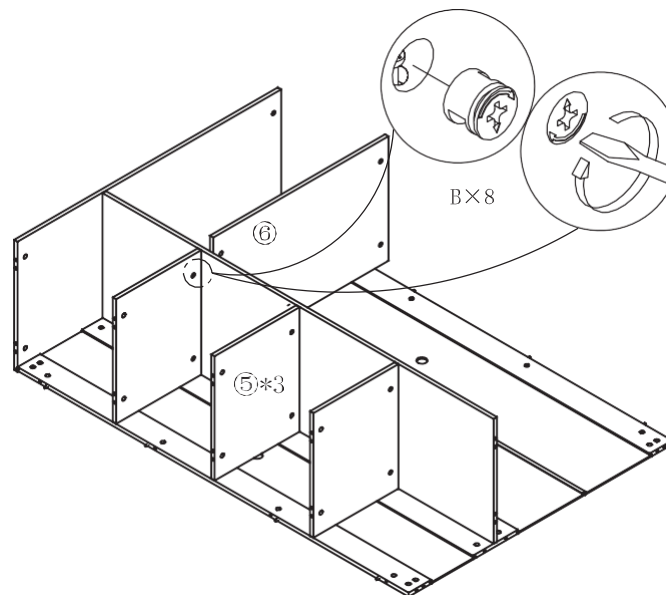
Step 4



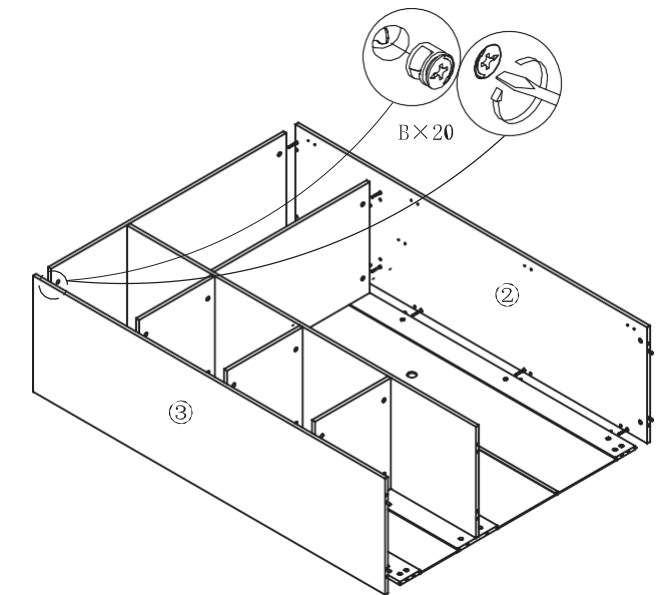
Step 5



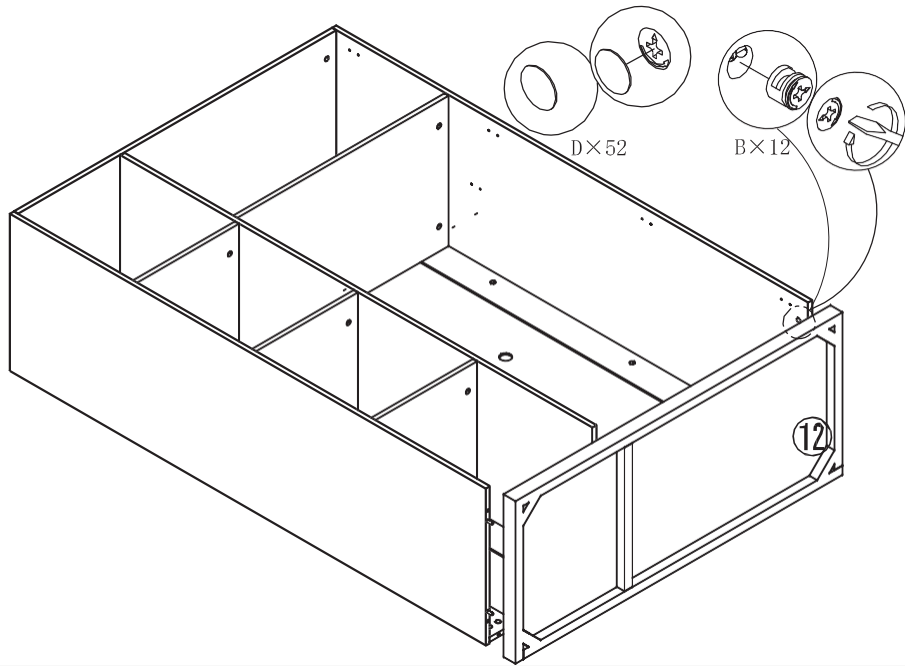
Step 6



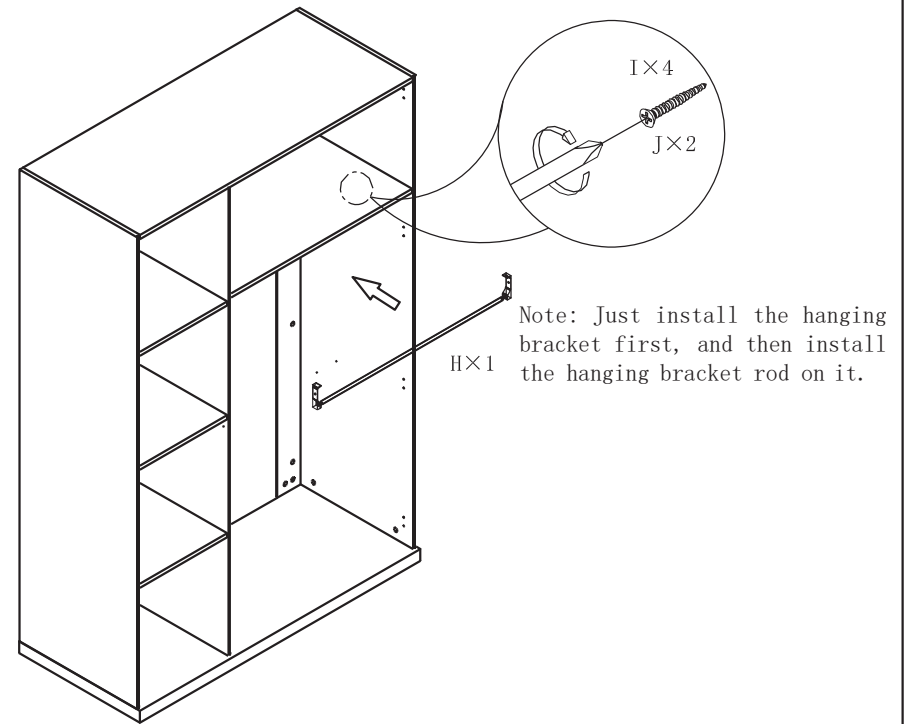
Step 7



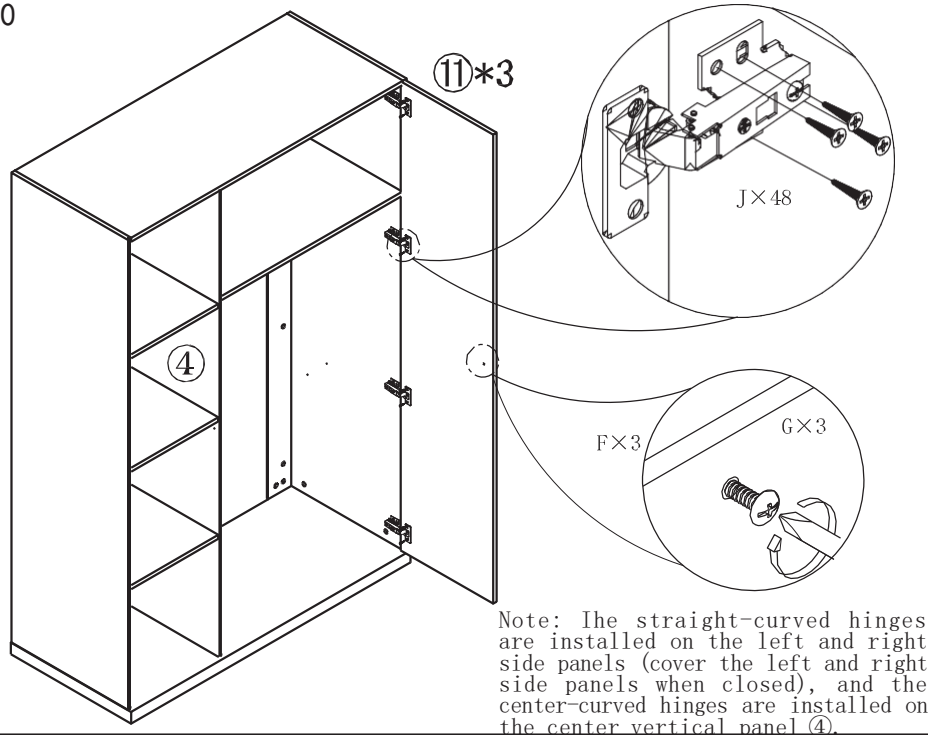
Step 8



Step 9



Step 10



Step 11

