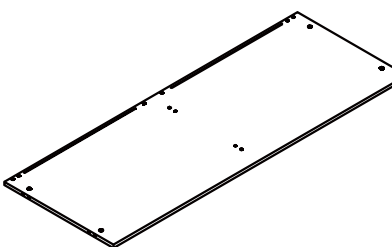
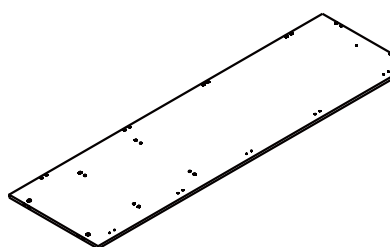
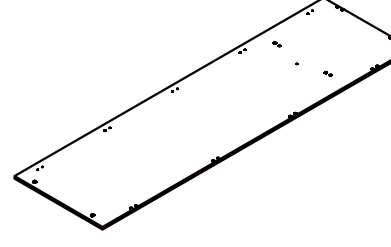
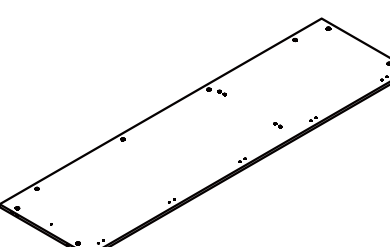
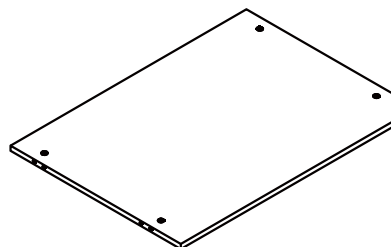
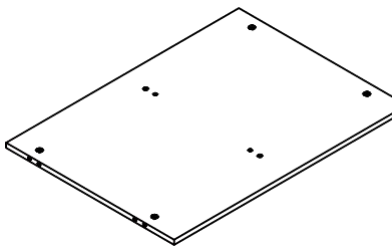
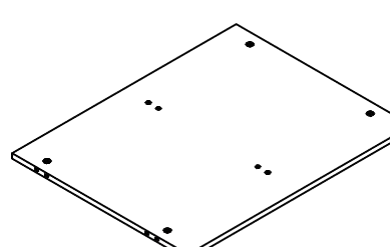
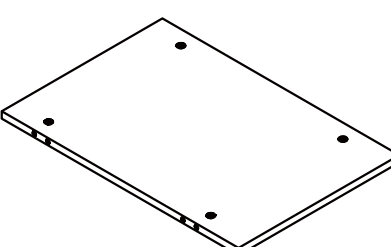
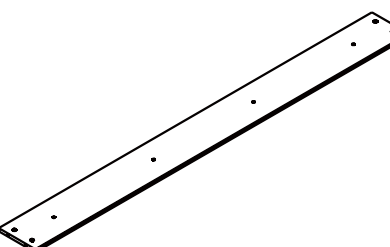
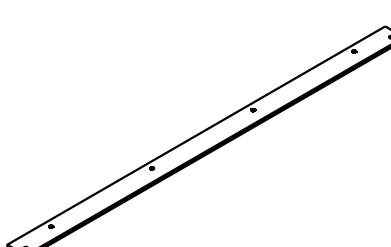
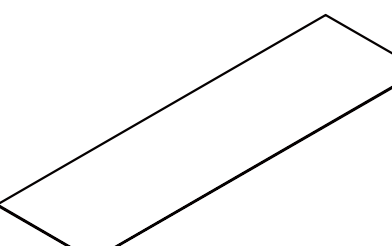
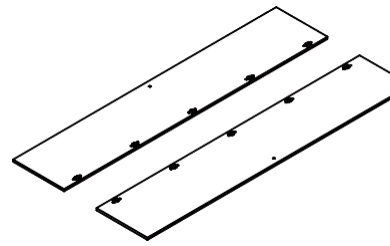
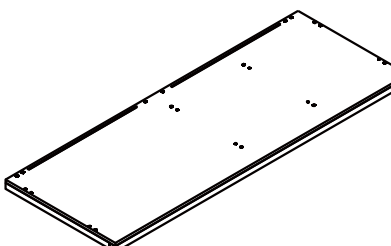
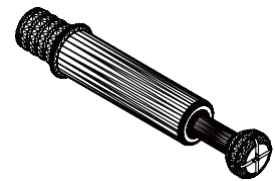
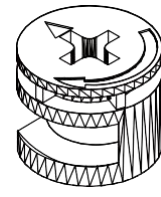
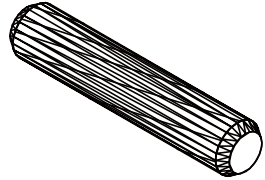
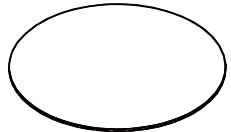
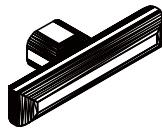

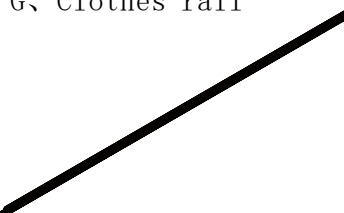
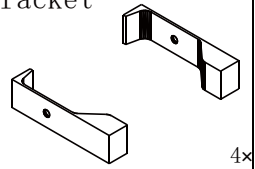


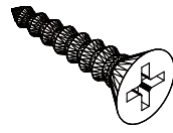
<p>① Top panel</p>  <p>1568W*583D*15H 1×</p>	<p>② right side panel</p>  <p>2050W*583D*15H 1×</p>	<p>③ Left side panel</p>  <p>2050W*583D*15H 1×</p>	<p>④ Center vertical panel 1</p>  <p>2035W*564D*15H 1×</p>	<p>⑤ Left solid panel 1</p>  <p>715W*561D*15H 1×</p>					
<p>⑥ Right solid panel 2</p>  <p>381W*561D*15H 1×</p>	<p>⑦ Center vertical panel 2</p>  <p>715W*561D*15H 1×</p>	<p>⑧ Right fixed plate 3</p>  <p>715W*561D*15H 1×</p>	<p>⑨ Back framework panel 1</p>  <p>2035W*200D*15H 1×</p>	<p>⑩ Back framework panel 2</p>  <p>2035W*100D*15H 2×</p>					
<p>⑪ Back panel</p>  <p>2044W*594D*5H 2×</p>	<p>⑫ Left and right door panels</p>  <p>12047W*397D*15H 4×</p>	<p>⑬ Bottom panel</p>  <p>1570*570*50 1×</p>	<p>A、Cam pin</p>  <p>56+1×</p>	<p>B、Cam lock</p>  <p>56+2×</p>					
<p>C、Dowel</p>  <p>36×</p>	<p>D、Cam cover</p>  <p>56×</p>	<p>F、T-shape pull handle</p>  <p>4×</p>	<p>E、Puller screw</p>  <p>4×</p>	<p>G、Clothes rail</p>  <p>2×</p>	<table border="1"> <tr> <td>Model</td> <td>GF795-1606</td> </tr> <tr> <td>Size</td> <td>1600W*600D*2100H</td> </tr> </table>	Model	GF795-1606	Size	1600W*600D*2100H
Model	GF795-1606								
Size	1600W*600D*2100H								

H. Hanging bracket



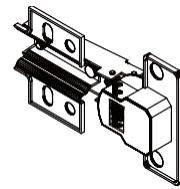
4x

I. Japanese-made nails



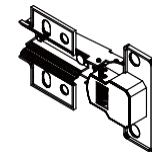
128x

J. Insert door hinge



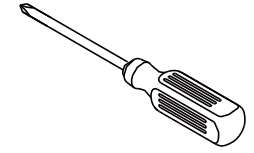
10x

K. Mid-curve hinge

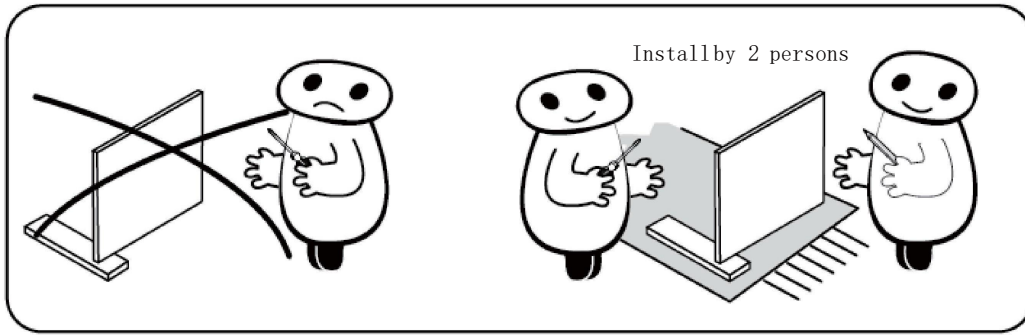


10x

L. Dual-purpose screwdriver

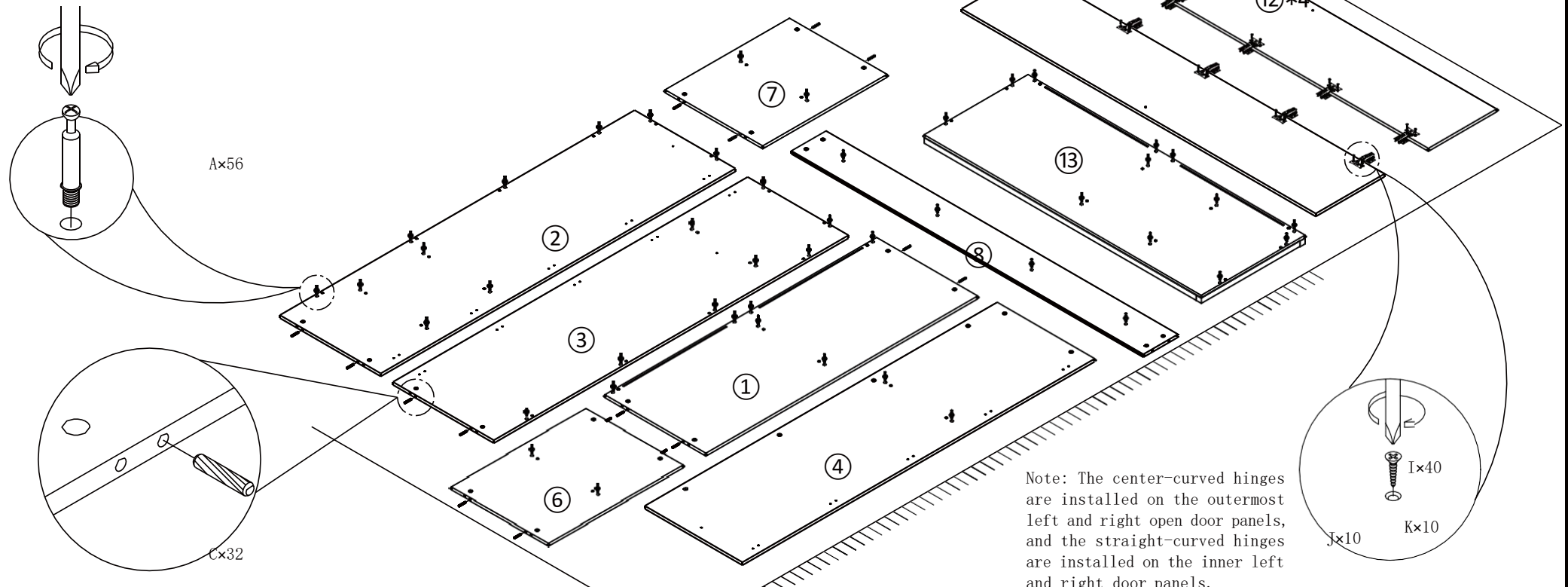


1x



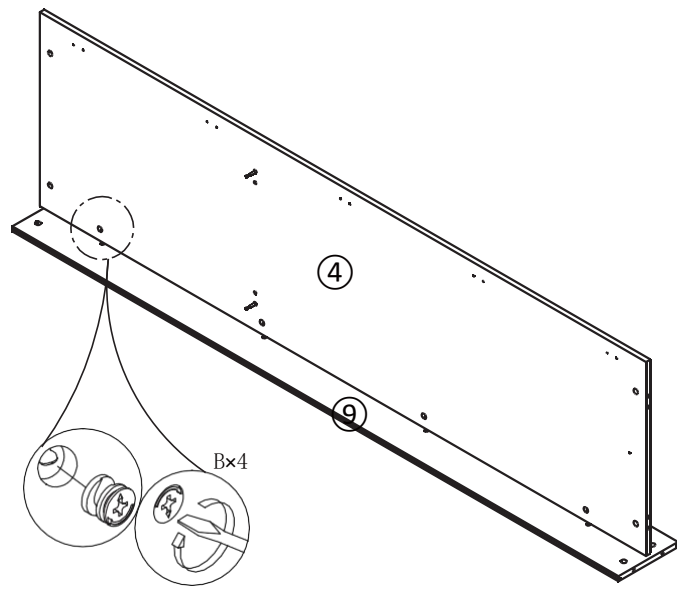
Step 1

Attention: First of all, put a piece of carton or rug on the floor, and then begin to install the panels, so as to prevent the parts from scratch

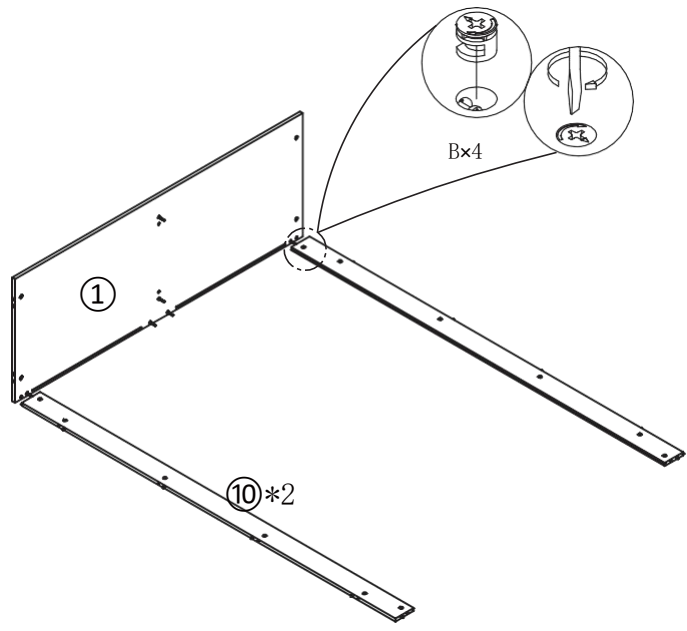


Note: The center-curved hinges are installed on the outermost left and right open door panels, and the straight-curved hinges are installed on the inner left and right door panels.

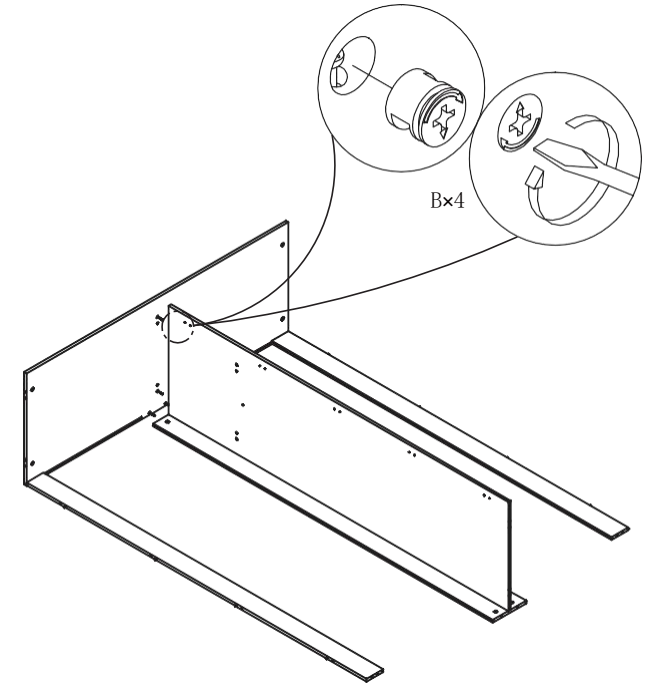
Step 2



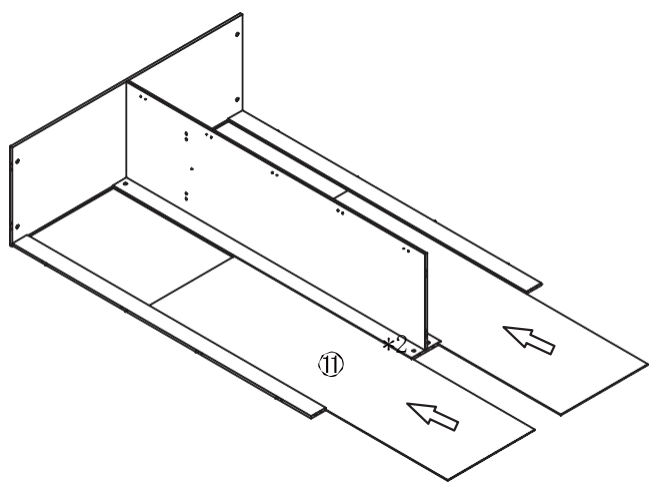
Step 3



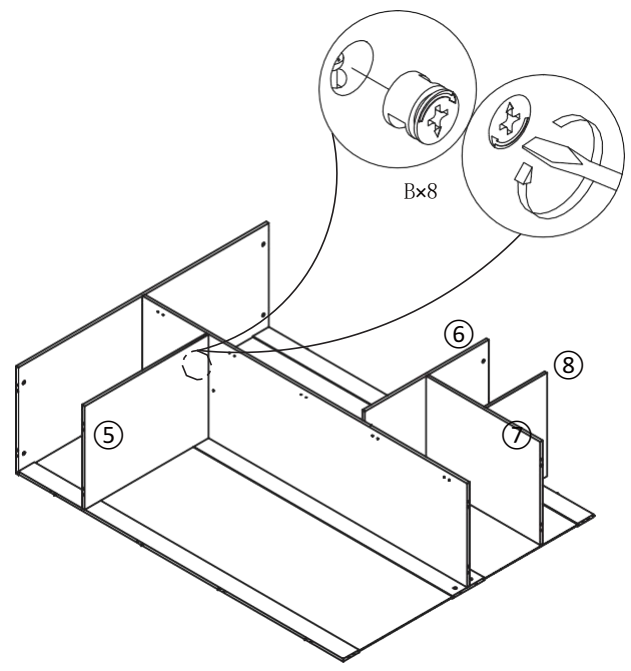
Step 4



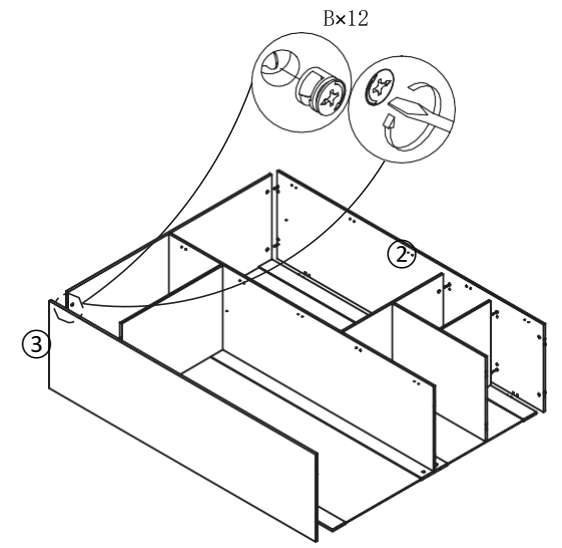
Step 5



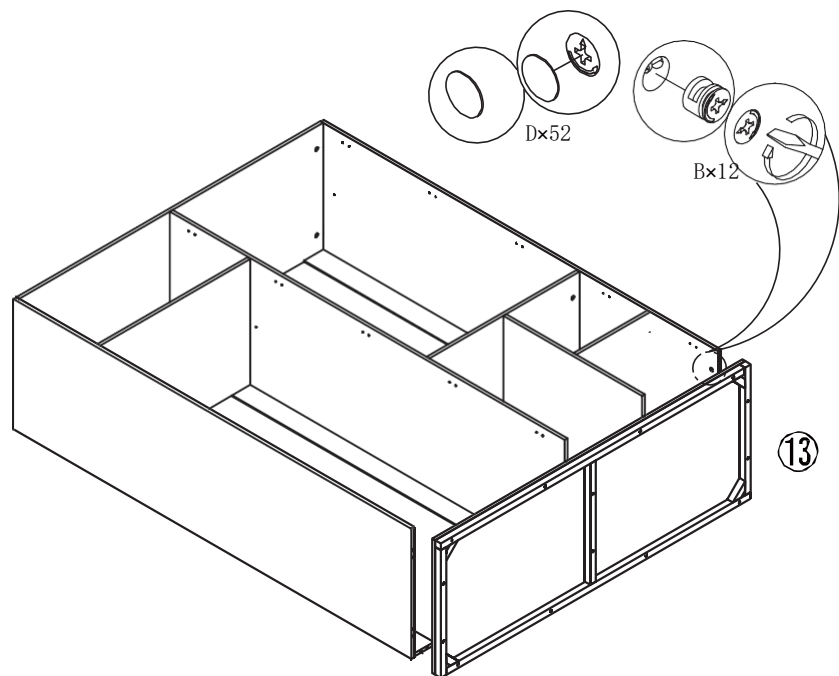
Step 6



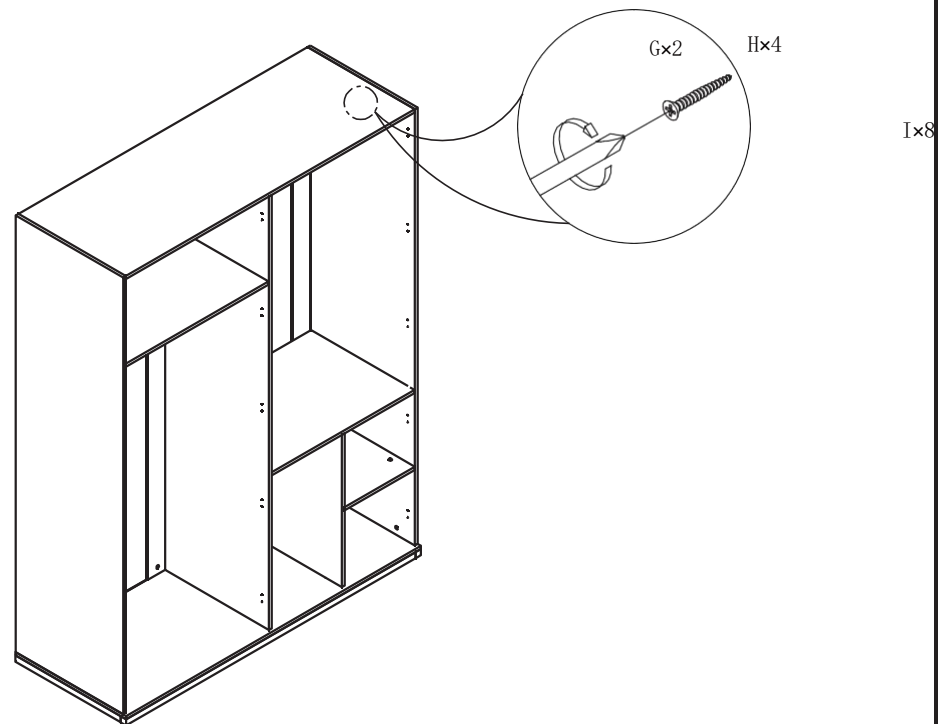
Step 7



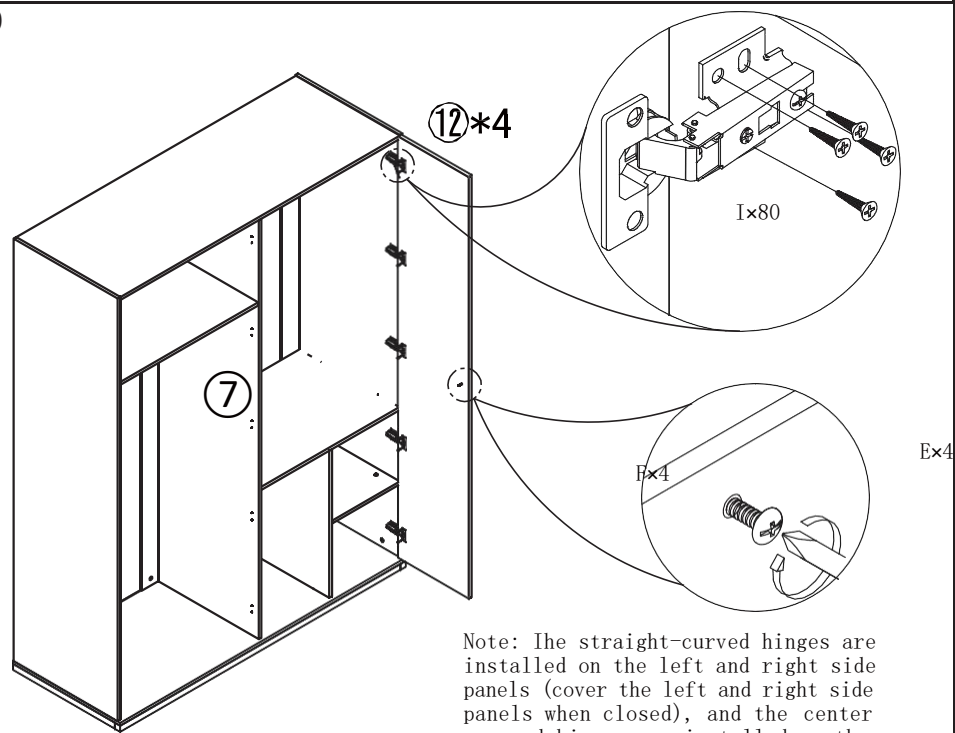
Step 8



Step 9



Step 10



Note: The straight-curved hinges are installed on the left and right side panels (cover the left and right side panels when closed), and the center-curved hinges are installed on the center vertical panel ⑦

Step 11

