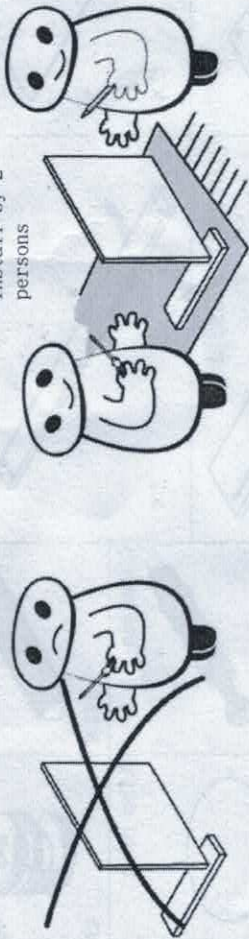
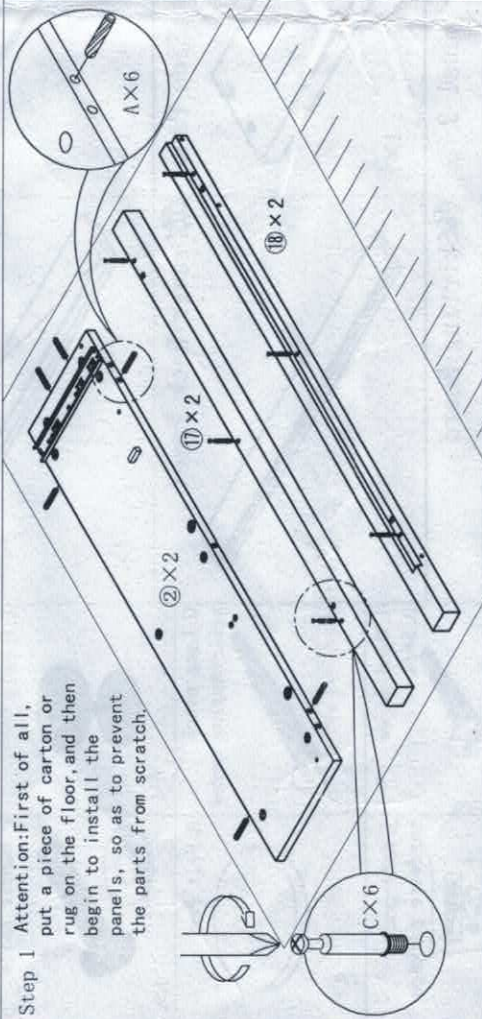


<p>① Top panel 1X</p>	<p>② End Panel 2X</p>	<p>③ Back panel 2X</p>	<p>④ Brace 1 2X</p>	<p>A. Dowel 12X</p>	<p>⑤ Brace 2 1X</p>	<p>⑥ Brace 3 1X</p>	<p>⑦ Back Brace 1X</p>	<p>⑧ Drawer Pane 1 1X</p>	<p>C. Cam pin 43X</p>	<p>⑨ Drawer Pane 2 2X</p>	<p>⑩ Drawer Left Side Panel 1X</p>	<p>⑪ Drawer Right Side Panel 1X</p>	<p>⑫ Drawer Back Panel 1X</p>	<p>E. Handle 6X</p>	<p>⑬ Drawer bottom panel 1X</p>	<p>⑭ Drawer inner panel 1 2X</p>	<p>⑮ Drawer inner panel 2 4X</p>	<p>⑯ Skirting Board 1X</p>	<p>G. Long pitch self-tapping screw 4X</p>	<p>⑰ Back Legs 2X</p>	<p>⑱ Front Legs 2X</p>	<p>⑲ Two-layer shoe cabinet framework 2X</p>	<p>⑳ Two-layer shoe cabinet framework accessories 4X</p>	<p>I. Wood screw 3.5*14 (24+1) X</p>	<p>J. Anti-pour hardware package 1X</p>	<p>K. Dual-purpose screwdriver 1X</p>	<p>L. Backboard bracket 8X</p>	<p>B. Cam lock 43X</p>	<p>D. Cam cover 43X</p>	<p>F. Handle nails 6X</p>	<p>H. Felt Pad 4X</p>	<p>Model: PS503-0810</p>	<p>Size: 890W*280D*1030H</p>	<p>Name: Shoe cabinet</p>
---------------------------	---------------------------	----------------------------	-------------------------	-------------------------	-------------------------	-------------------------	----------------------------	-------------------------------	---------------------------	-------------------------------	--	---	-----------------------------------	-------------------------	-------------------------------------	--------------------------------------	--------------------------------------	--------------------------------	--	---------------------------	----------------------------	--	--	--	---	---	------------------------------------	----------------------------	-----------------------------	-------------------------------	---------------------------	--------------------------	------------------------------	---------------------------

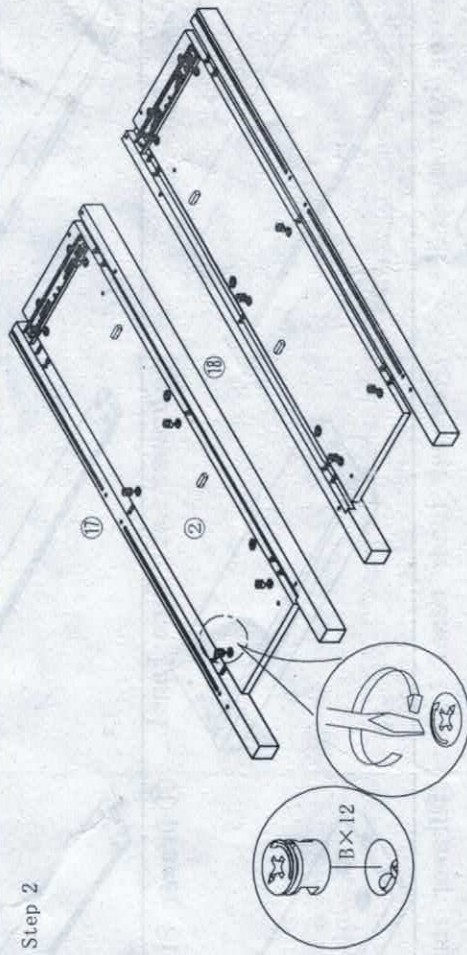
Install by 2 persons



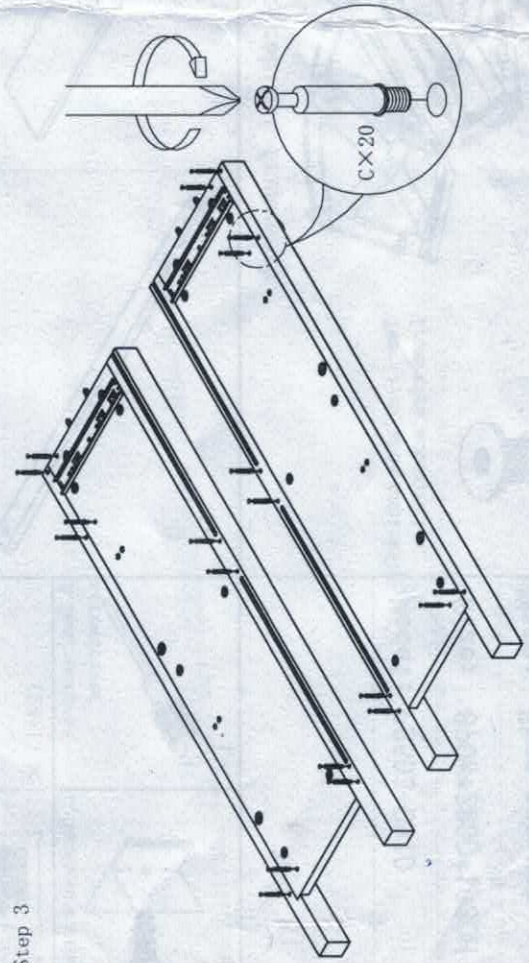
Step 1 Attention: First of all, put a piece of carton or rug on the floor, and then begin to install the panels, so as to prevent the parts from scratch.



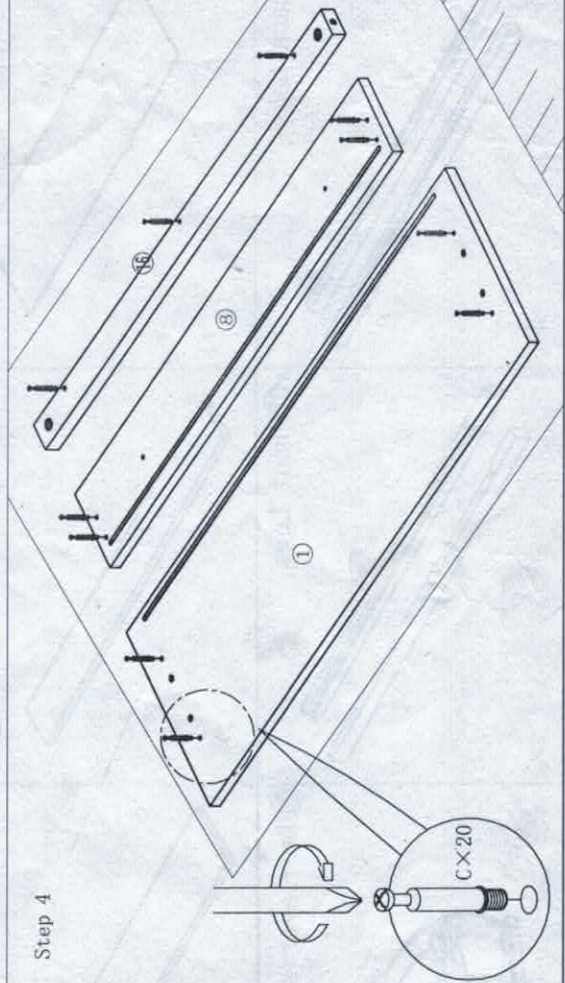
Step 2



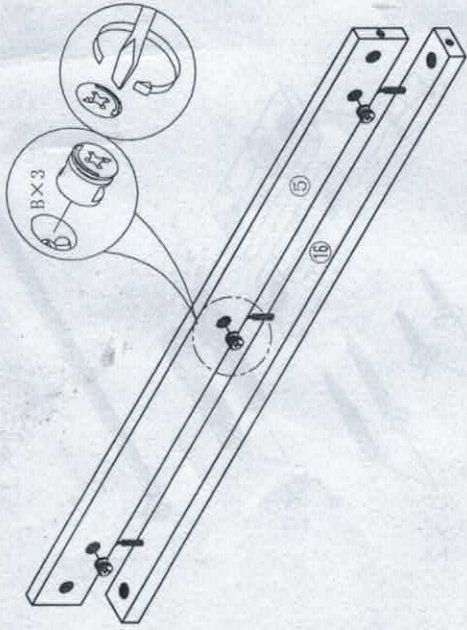
Step 3



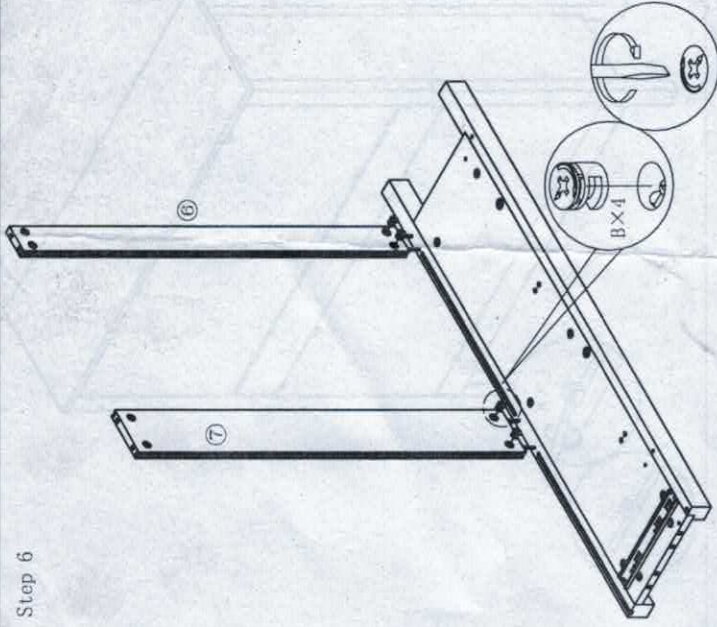
Step 4



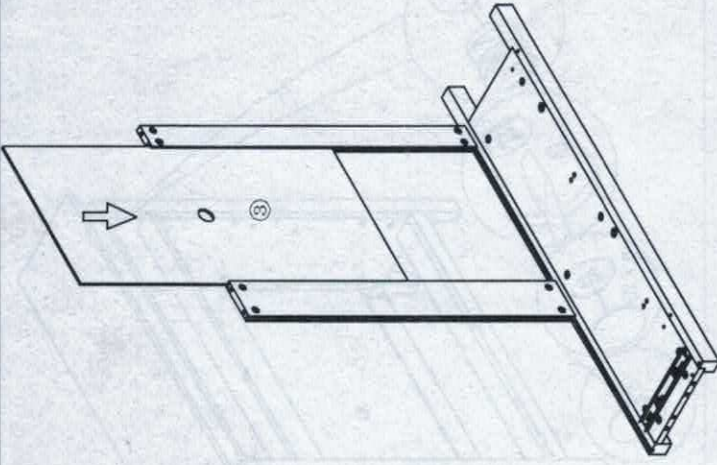
Step 5



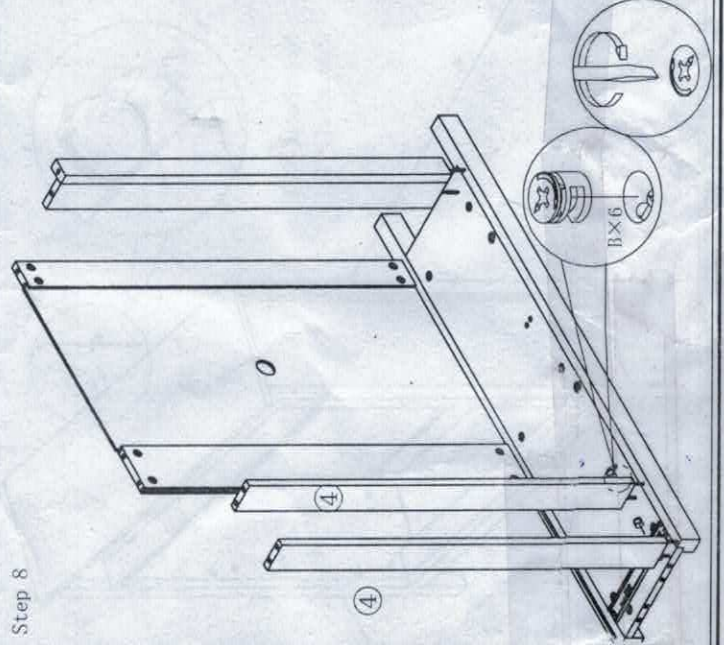
Step 6



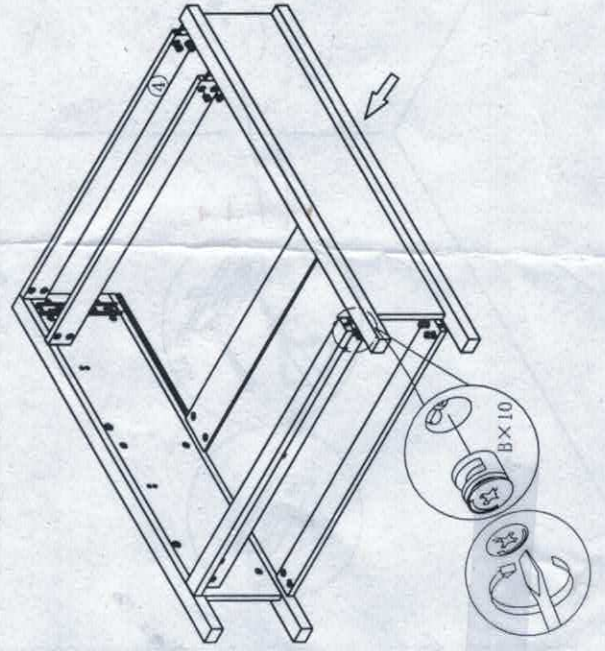
Step 7



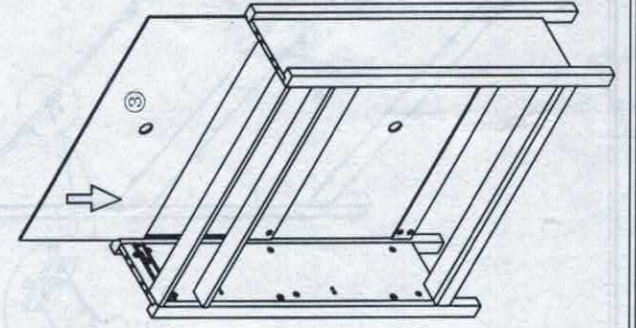
Step 8



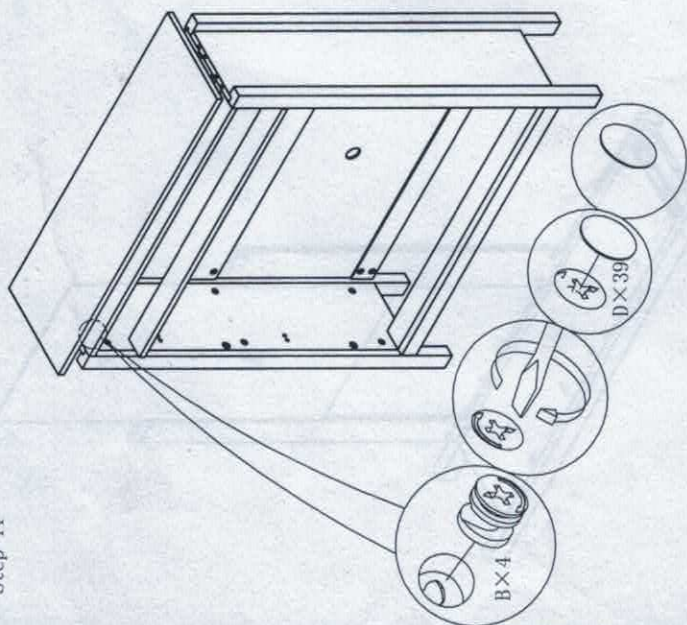
Step 9



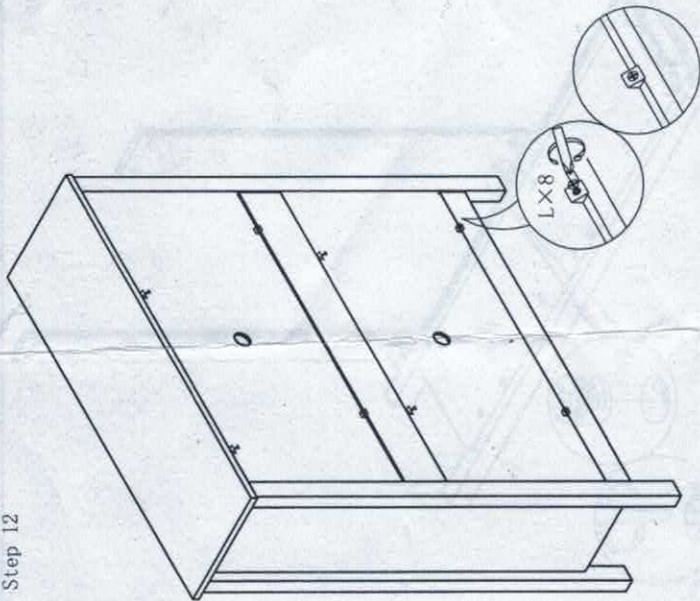
Step 10



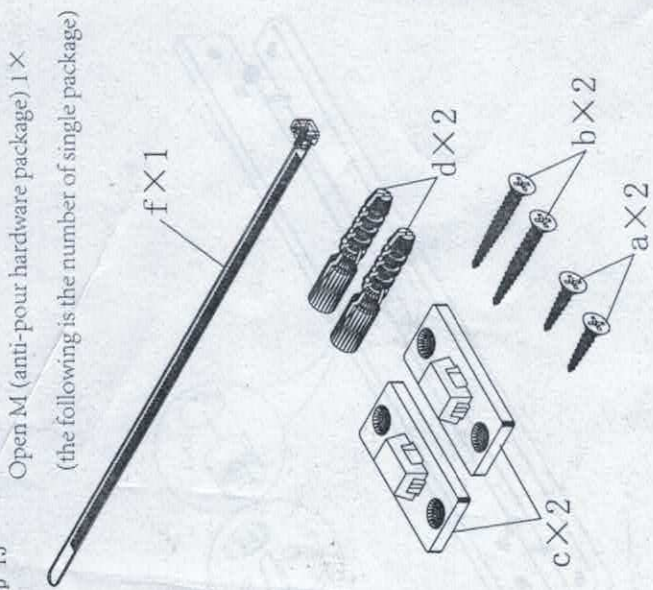
Step 11



Step 12

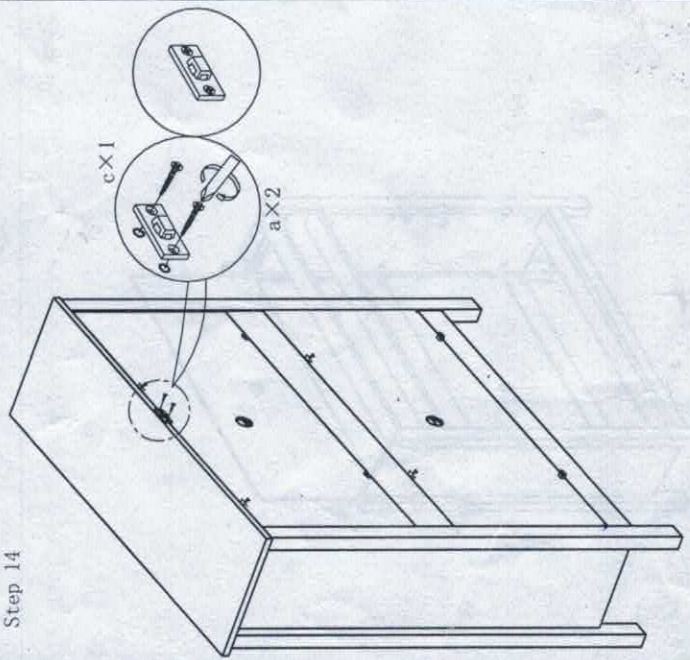


Step 13

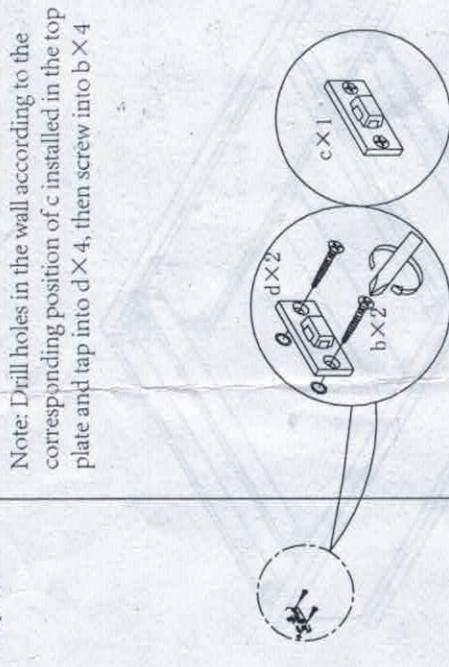


Open M (anti-pour hardware package) 1 x
(the following is the number of single package)

Step 14

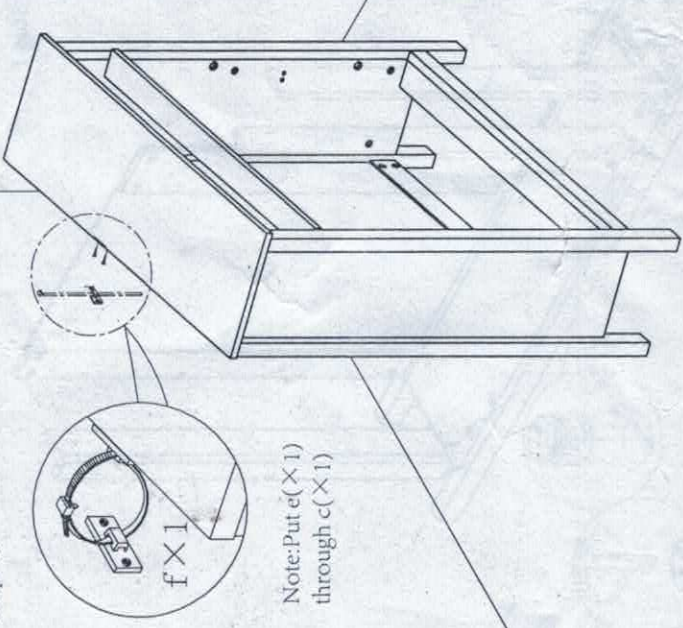


Step 15



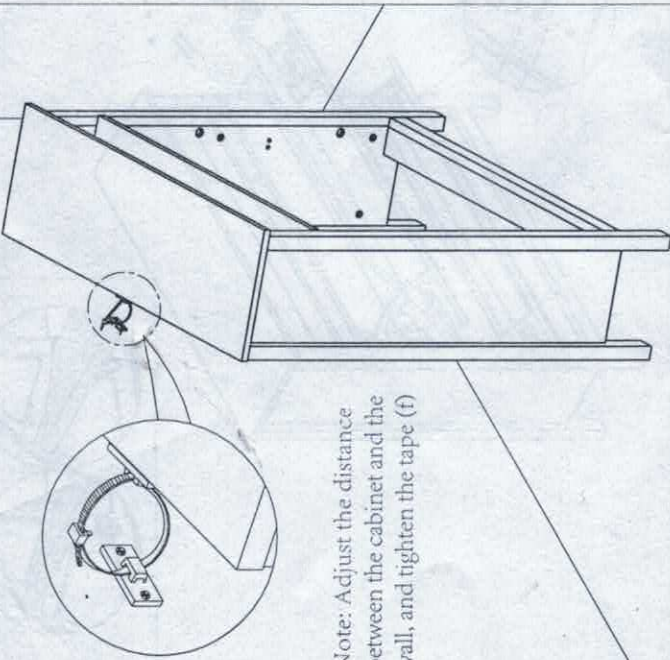
Note: Drill holes in the wall according to the corresponding position of c installed in the top plate and tap into d x 4, then screw into b x 4

Step 16

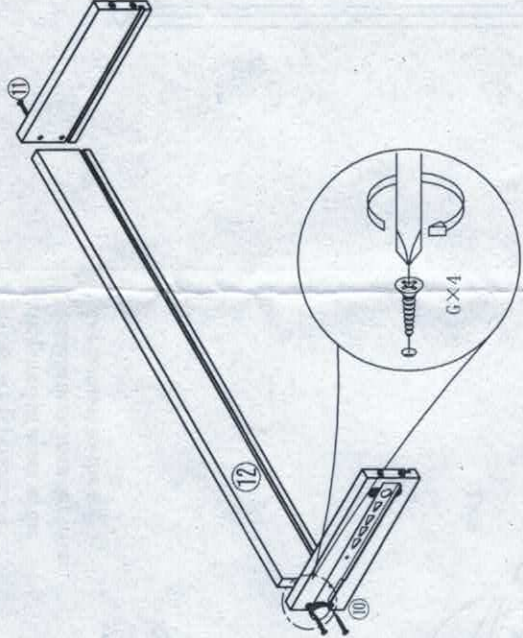


Note: Put e (x1) through c (x1)

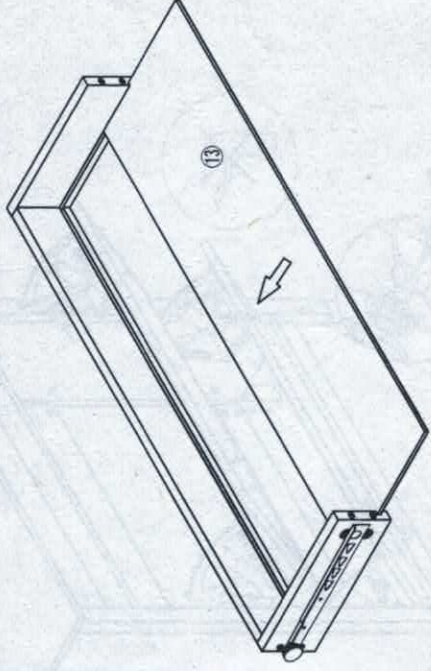
Step 17



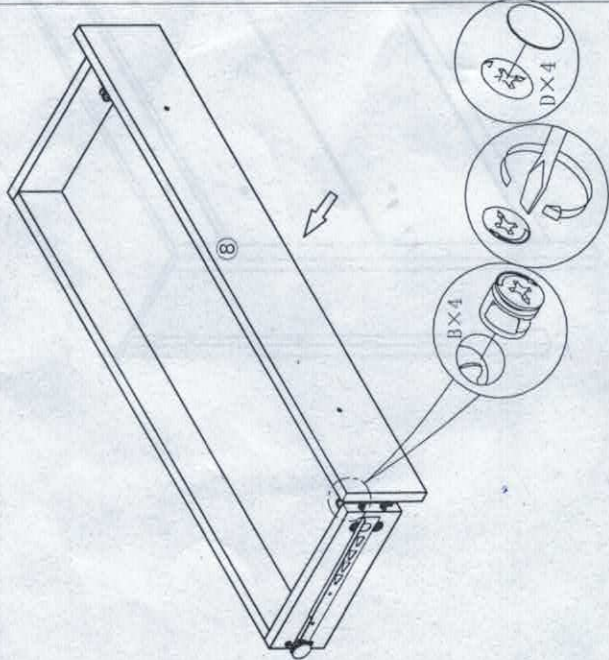
Step 18



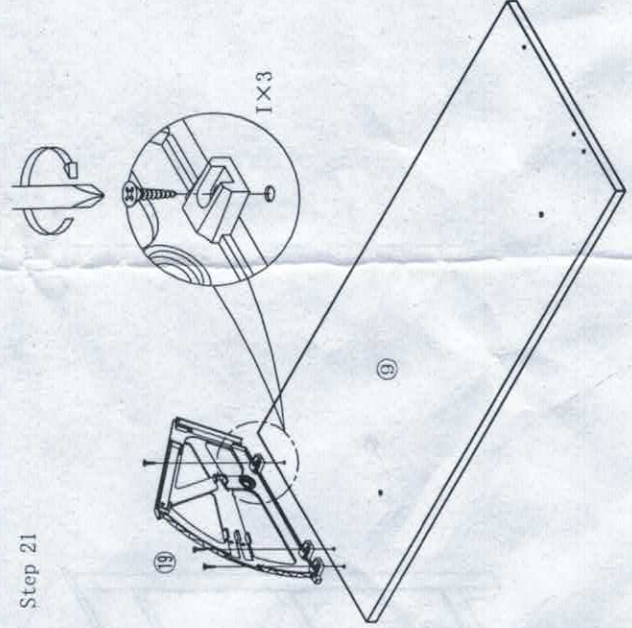
Step 19



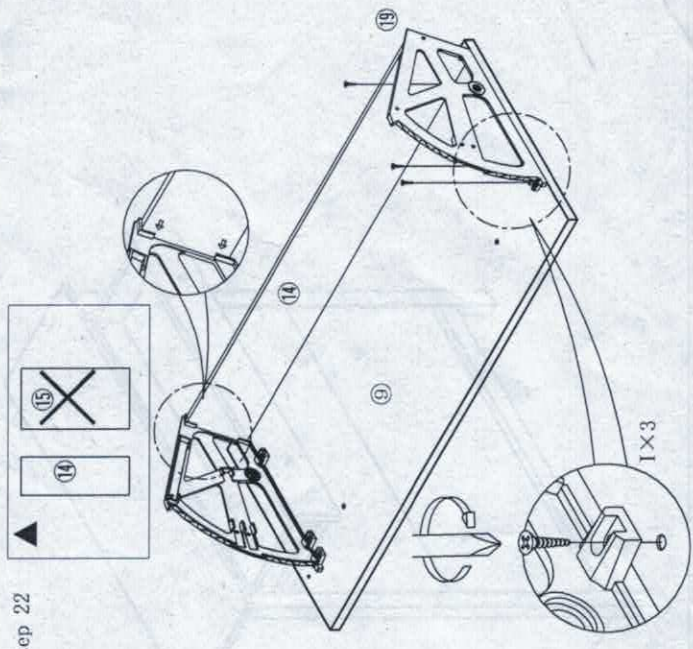
Step 20



Step 21

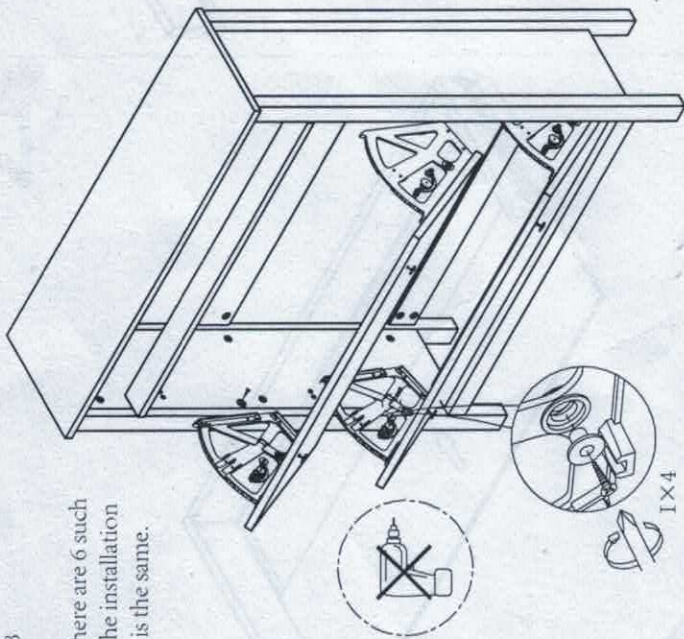


Step 22



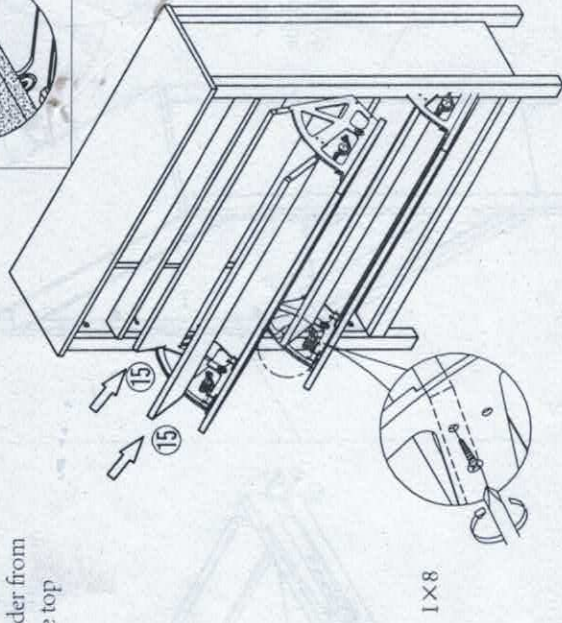
Step 23

Note: There are 6 such panels, the installation method is the same.



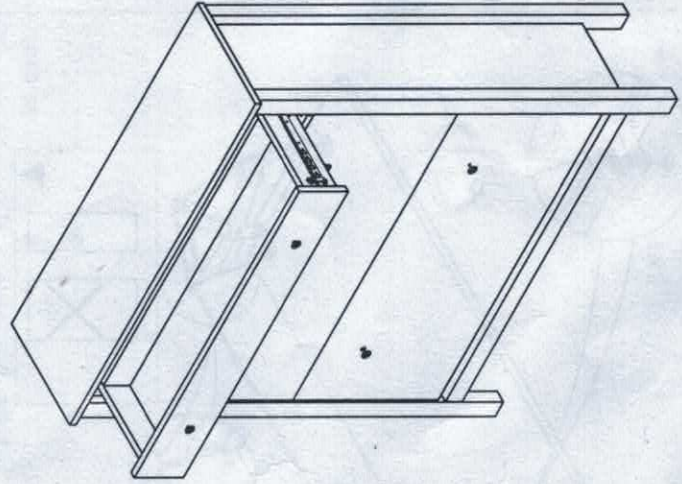
Step 24

Note: Two people are required to assist in the installation, in order from the bottom to the top



1x8

Step 25



Step 26

