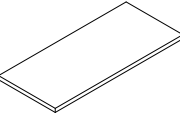
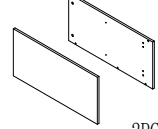
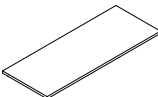
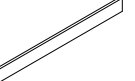
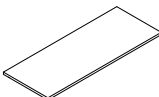
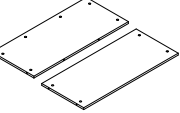
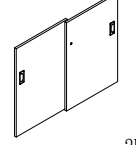

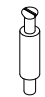
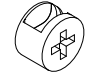

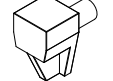
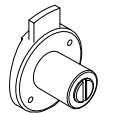
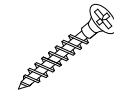
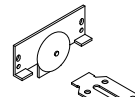

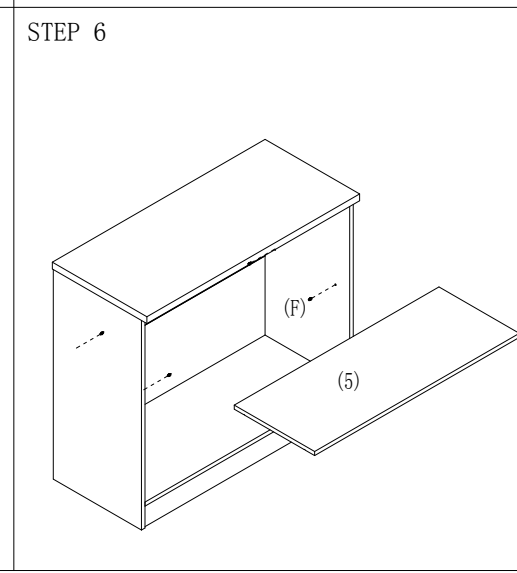
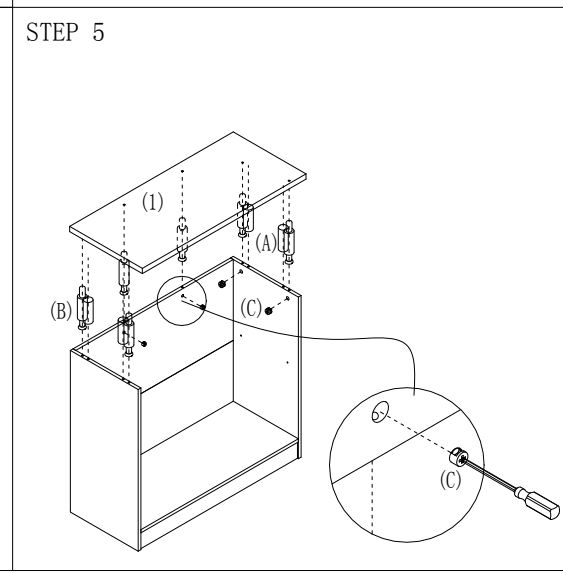
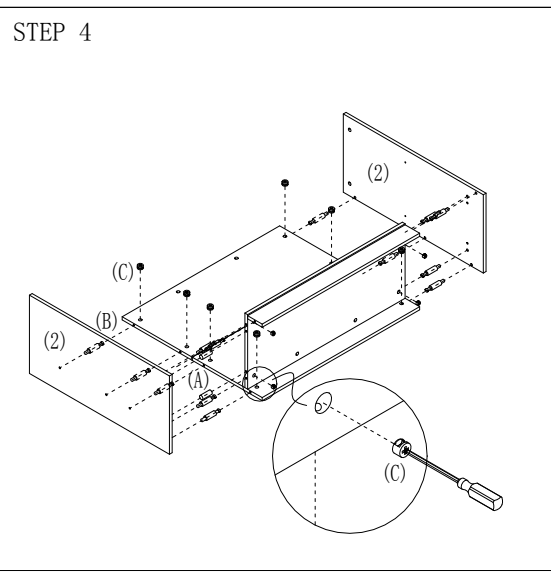
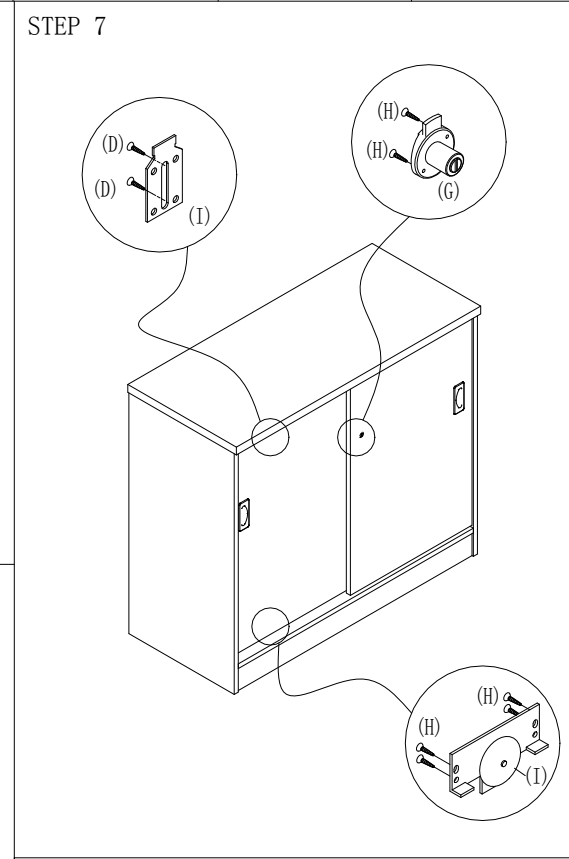
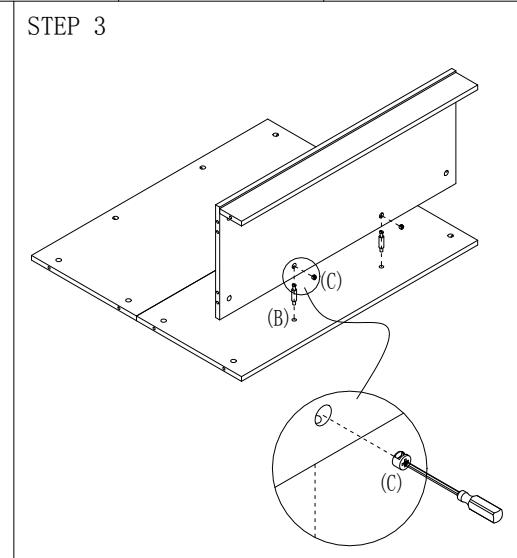
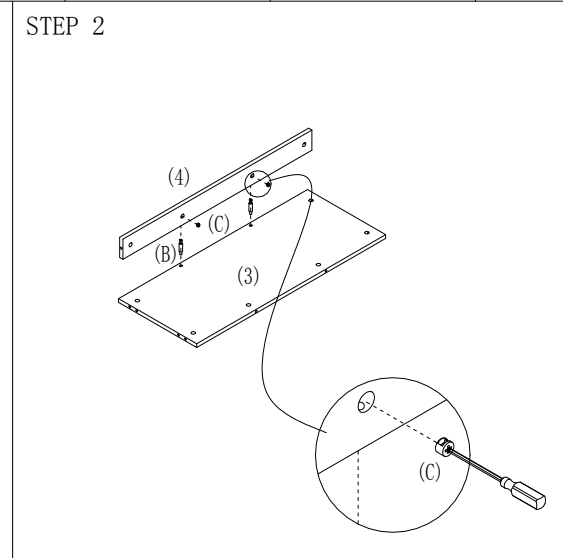
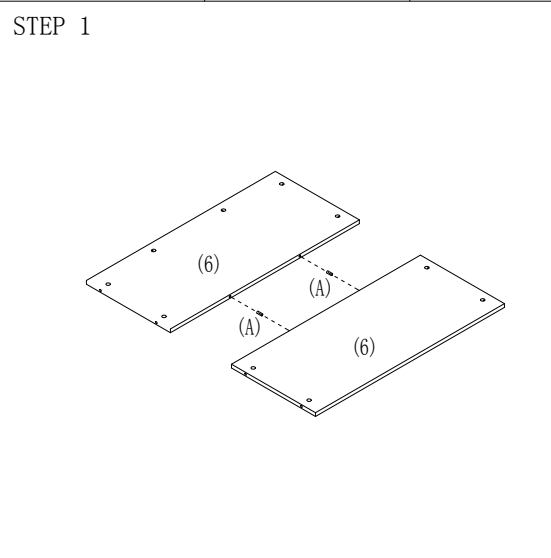


(1) Top Panel  1PC	(2) End Panel  2PCS	(3) Bottom Panel  1PC	(4) Bottom leg panel  1PC	(5) Movable Panel  1PC	(6) Back panel  2PCS	(7) Door panel  2PCS			
(A) Dowel  10PCS	(B) Cam Pin  24PCS	(C) Cam Lock  24PCS	(D) Tapping Screw (4*12)  8+1PCS	(F) Shelf Pin  4PCS	(G) Locker  1PCS	(H) Wood screw (3.5*14)  18+1PCS	(I) Door wheel guiding elements  4SET	(J) Screwdriver 	



GF507
900*400*800mm
(1-1)