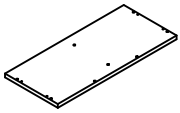
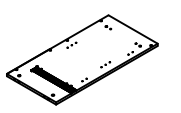
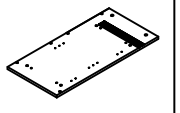
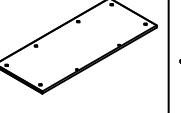
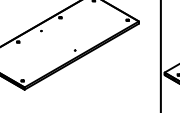
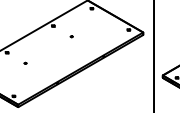
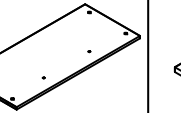
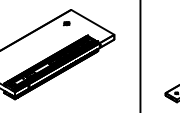
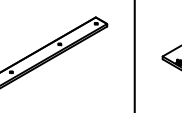
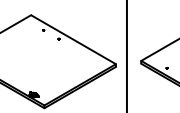
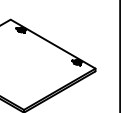
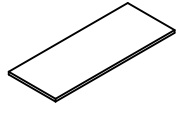
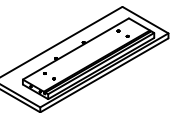
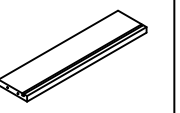
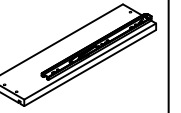
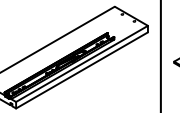
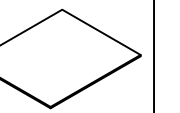
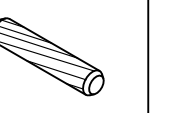
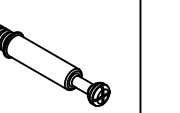

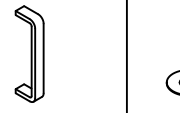
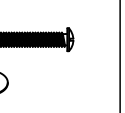
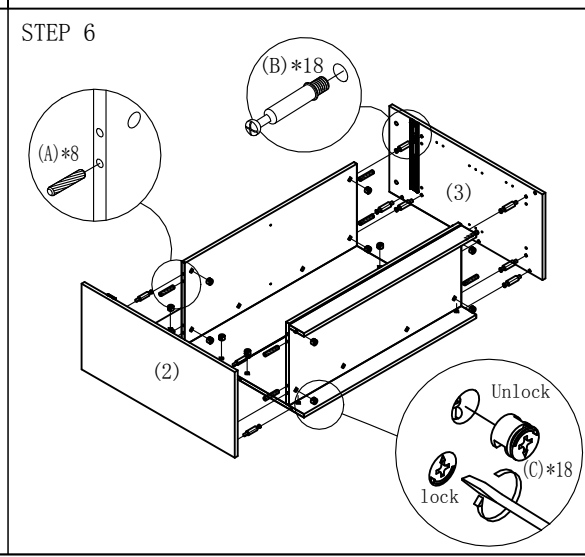
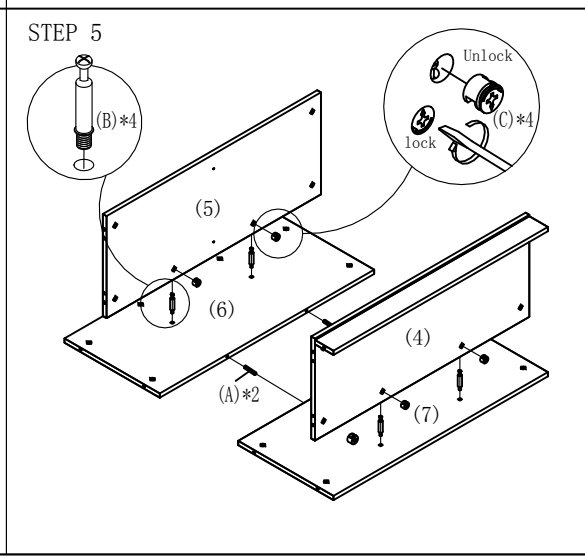
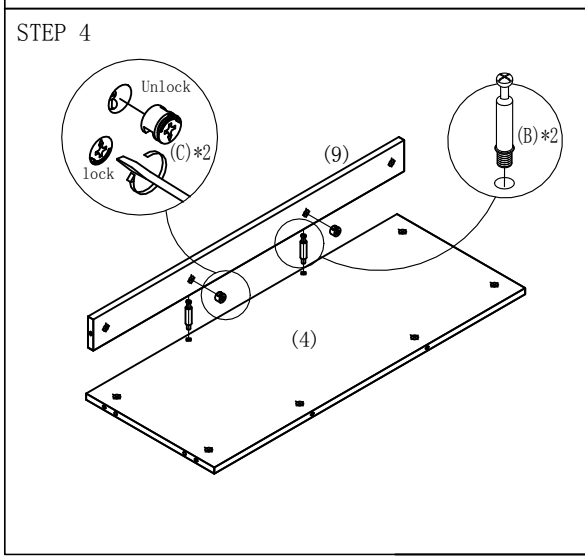
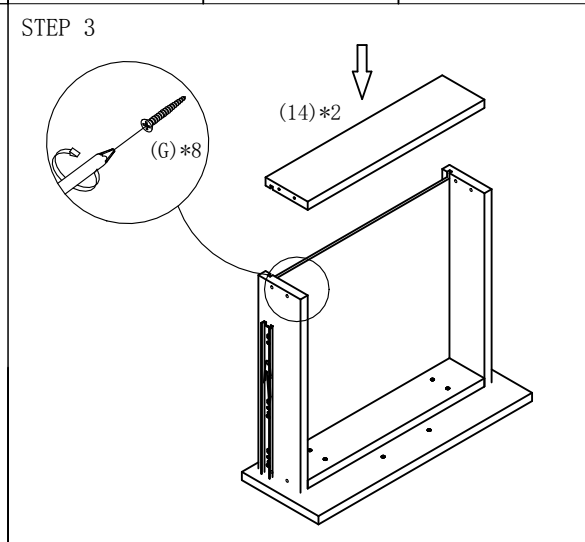
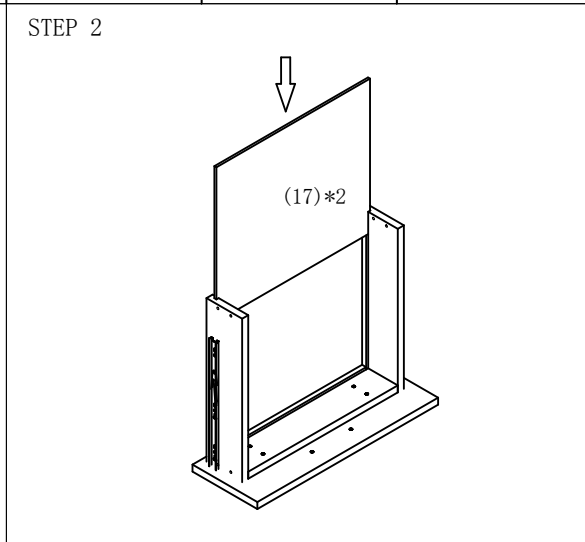
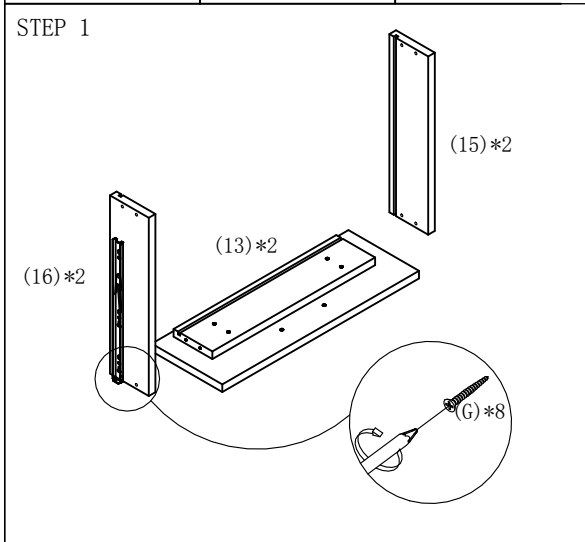
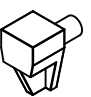


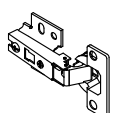



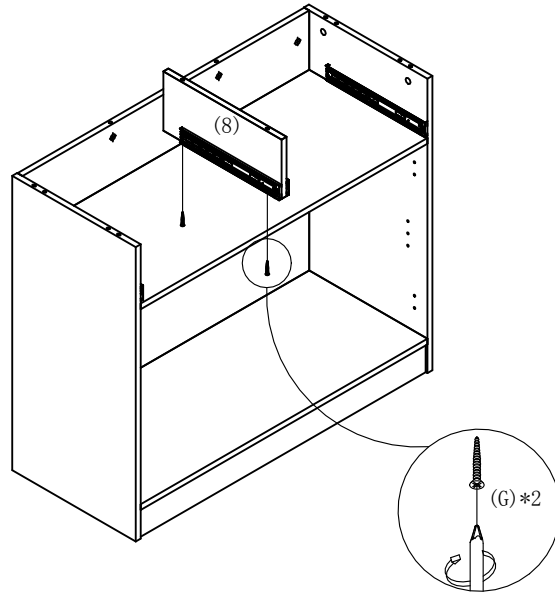
(1) Top Panel  1PC	(2) Left End Panel  1PC	(3) Right End Panel  1PC	(4) Bottom Panel  1PC	(5) Fixed Panel  1PC	(6) Upper Back Panel  1PC	(7) Lower Back Panel  1PC	(8) Divider Panel  1PC	(9) Bottom leg panel  1PC	(10) Right door panel  1PC	(11) Left door panel  1PC
(12) Movable Panel  1PC	(13) Drawer Panel  2PCS	(14) Drawer Back Panel  2PCS	(15) Drawer Left Side Panel  2PCS	(16) Drawer Right Side Panel  2PCS	(17) Drawer Bottom Panel  2PCS	(A) Dowel  14PCS	(B) Cam Pin  32PCS	(C) Cam Lock  32PCS	(D) Handle  4PCS	(E) Handle Nails (4*20)  8PCS



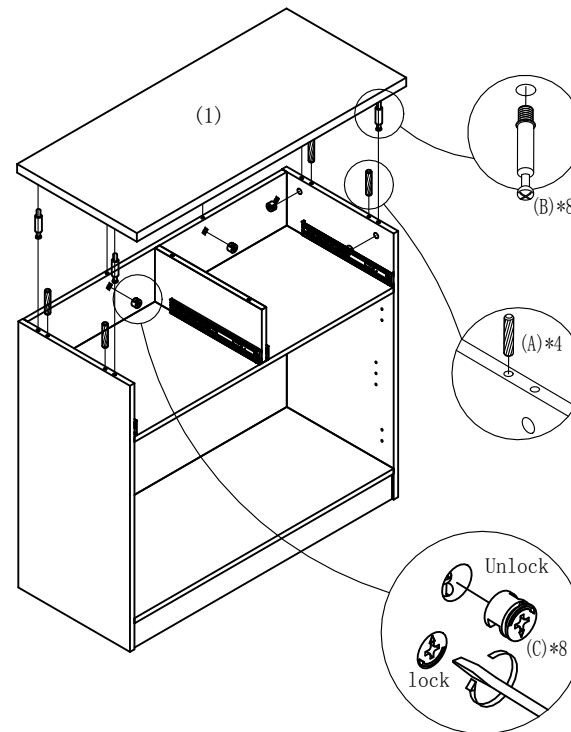
(F) Shelf Pin  4PCS	(G) Wood screw (4*35)  18PCS
(H) Wood screw (3.5*14)  24+1PCS	(I) Insert Hinge  4PCS
(J) Cushion  2PCS	

GF510  
900\*400\*800mm

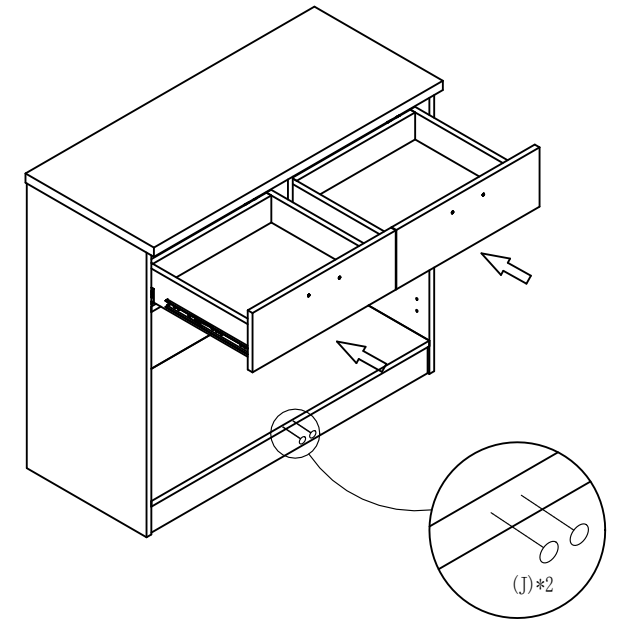
STEP 7



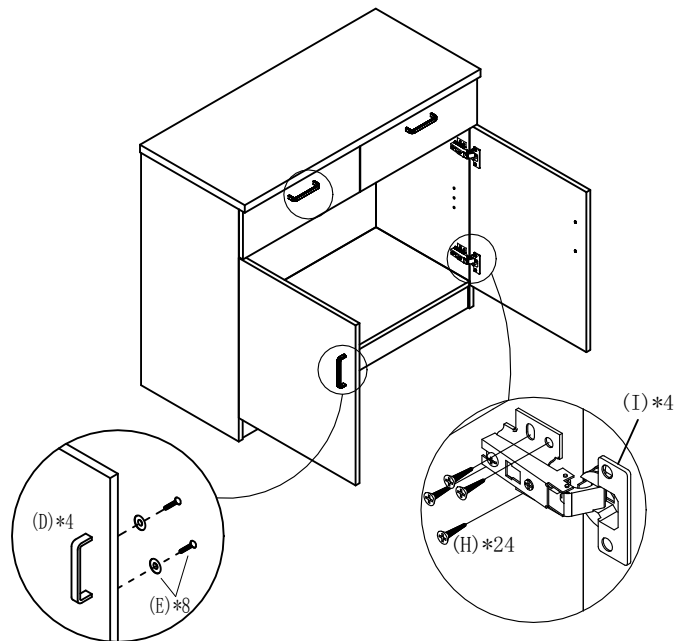
STEP 8



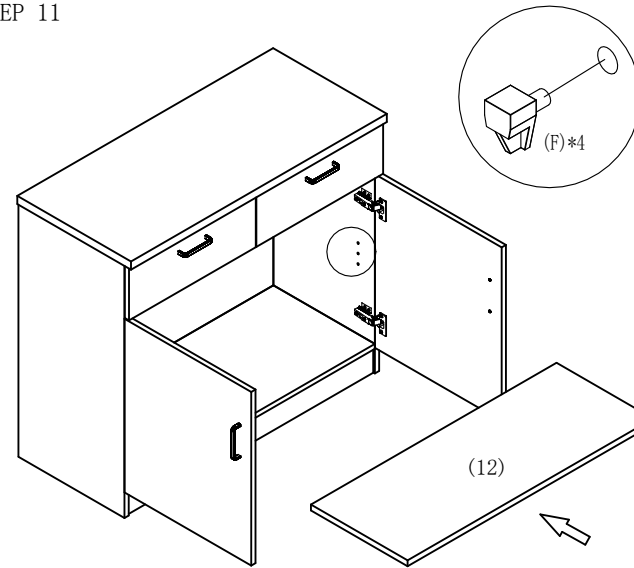
STEP 9



STEP 10



STEP 11



STEP 12

