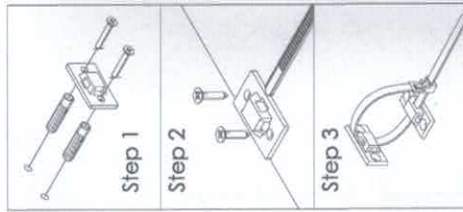


Assembly Instruction

STEP 12

Be sure to tighten nylon strap in case the bookcase topples over.

Ø6MM*2



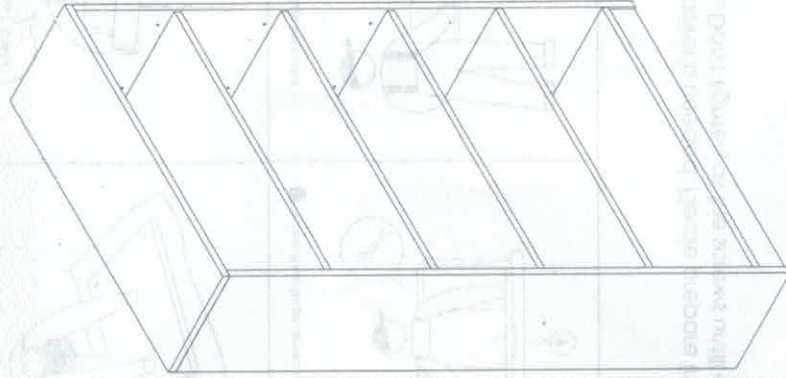
① Anti-topping Device (X1)

Sunön

Assembly Manual

5-Tier Bookcase

DAM9008.084152



Please read this manual carefully before any operation and keep it properly for future use.

Customer service: ecservice@isunon.com

Installation Notes

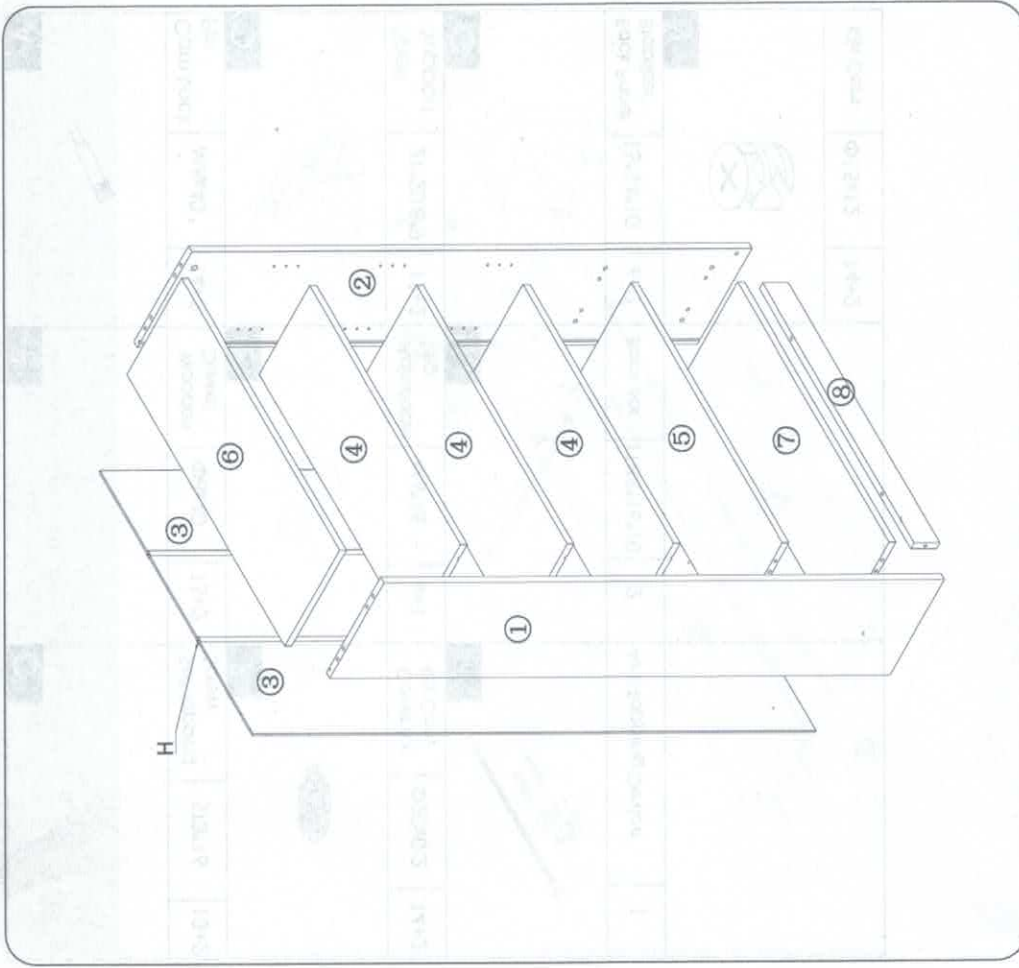


Attention: A Phillips screwdriver is needed. Please prepare in advance as it is NOT included in the package. Don't tighten all the screws until all the pieces are fitted.

CONTACT US

If you have any problems or concerns about your purchase, please get in touch with our customer service (ecservice@isunon.com) as soon as possible and we will do everything we can to help. You will be highly appreciated if you can put your order number in the email title so that we can deal with it efficiently.









Exploded View



No.	Component	PCS
1	Left panel	1
2	Right panel	1
3	Back panel	3
4	Movable shelf	3
5	Fixed Panel	1

No.	Component	PCS
6	Top panel	1
7	Bottom panel	1
8	Skirt panel	1
H	Back Bar	1

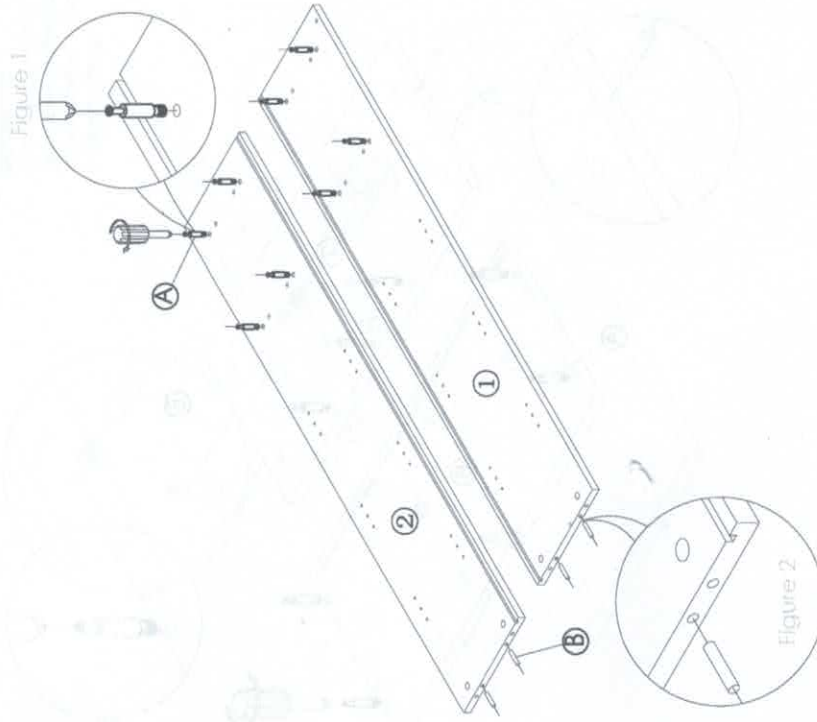
Components list

A		C	
Cam Lock Pin	M6x40	14+2	15+2
D		E	
	21*20.8*9	12+2	4+1
G		H	
Shelf Support	21*20.8*9	12+2	4+1
J		I	
Back Panel Stabilizer	15*14*10	6+2	1
			Anti-Topping Device
			1
Klik Cam	$\Phi 15 \times 12$	14+2	

Assembly Instruction

STEP 1

Assemble the left and right panels with cam lock pin (As shown in figure 1). Place the wooden dowels into the corresponding holes of left and right panels (As shown in figure 2).

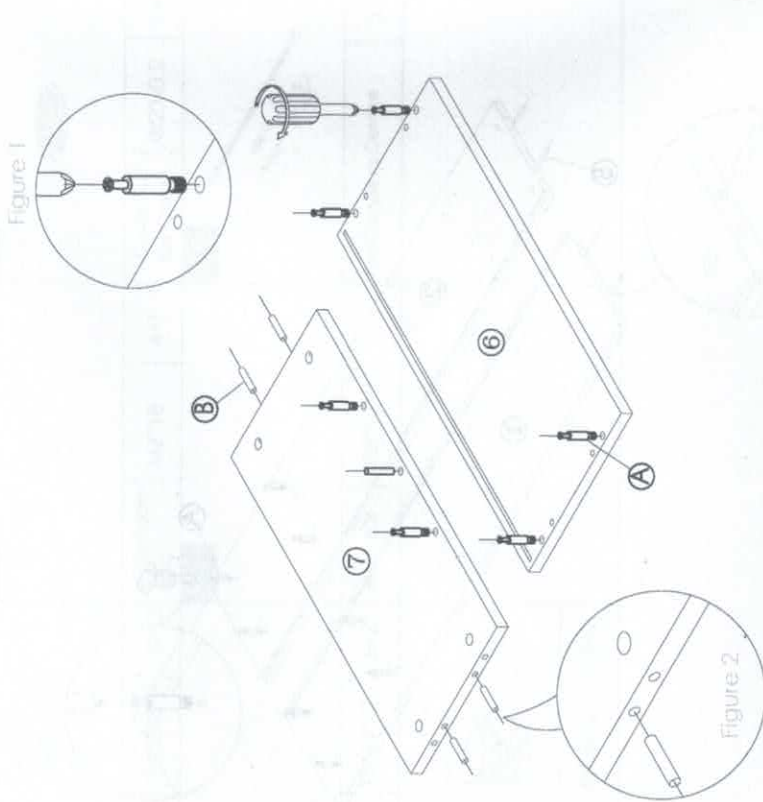


- (A) Cam Lock Pin M6x40 (X4)
- (B) Wooden Dowel Ø8x40 (X4)

Assembly Instruction

Assemble the top and bottom panels with cam lock pin (As shown in Figure 1 below).
Place the wooden dowels into the corresponding holes (As shown in Figure 2 below).

STEP 2



- A Cam Lock Pin
- B Wooden Dowel
- 7 Wooden Dowel

Assembly Instruction

Attach the skirt panel to the bottom panel and lock the klik cam (as shown in Figure 1 below).

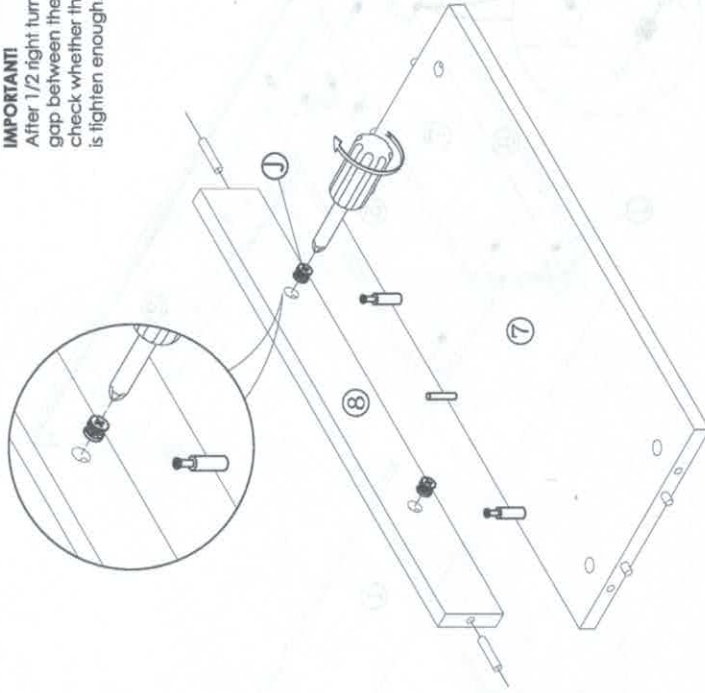
STEP 3



IMPORTANT!

After 1/2 right turn, if there is a gap between the panels, please check whether the cam lock pin is tighten enough.

Figure 1



- 8 Wooden Dowel
- 9 Klik Cam
- 9 Klik Cam

Assembly Instruction

STEP 4

Connect the left and right panels to the bottom panel & fixed panel and lock the klik cam.



1. Connect the left and right panels to the bottom panel & fixed panel and lock the klik cam.

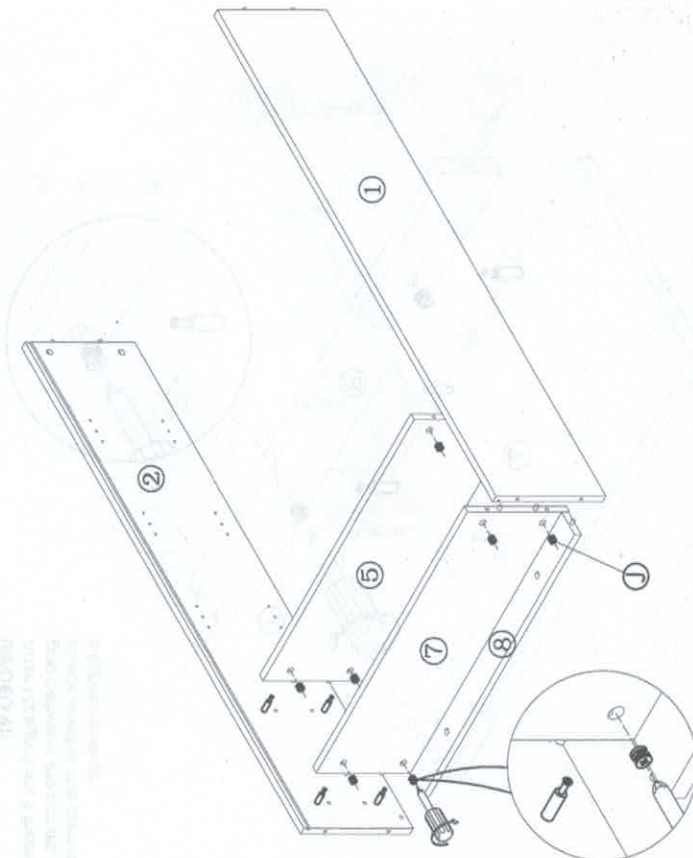


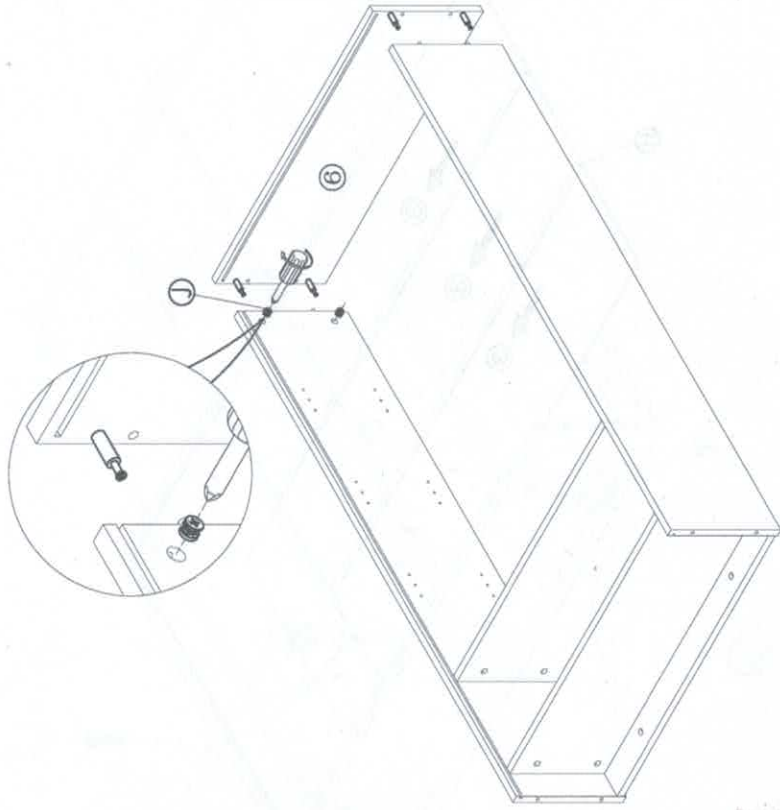
Figure 1

Klik Cam
© 15x12 (48)

Assembly Instruction

STEP 5

Connect the assembled frame to the top panel and lock the klik cam (as shown in Figure 1 below).

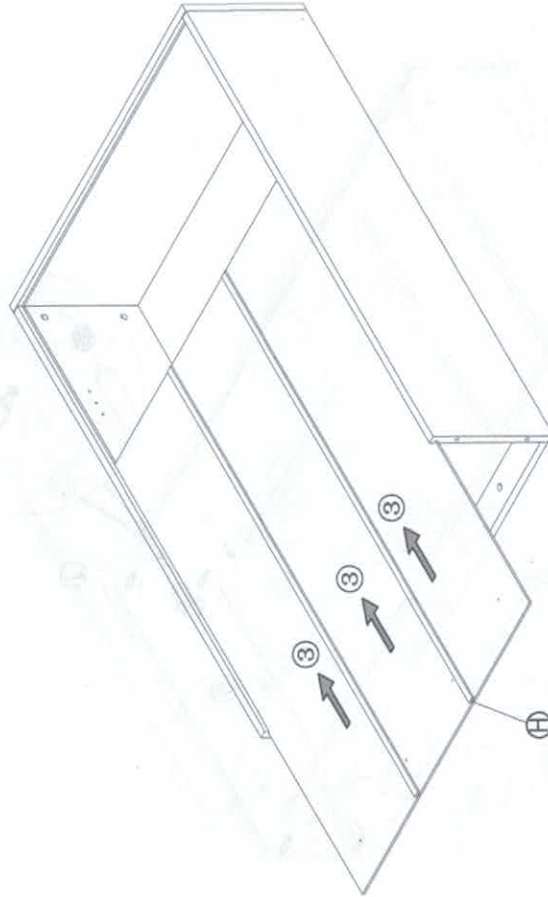


Klik Cam
© 15x12 (48)

Assembly Instruction

STEP 6

Insert the back panel into the back panel slot (as shown in the figure below).



3 Back bar
1188*16*10 (X2)

Assembly Instruction

STEP 7

Fix the back panel with ST3*16 self-tapping screws as shown in Figure 1. Screw the adjustable legs into the corresponding holes at the bottom of the left and right panels, and adjust the height to make them even if needed.

Figure 1

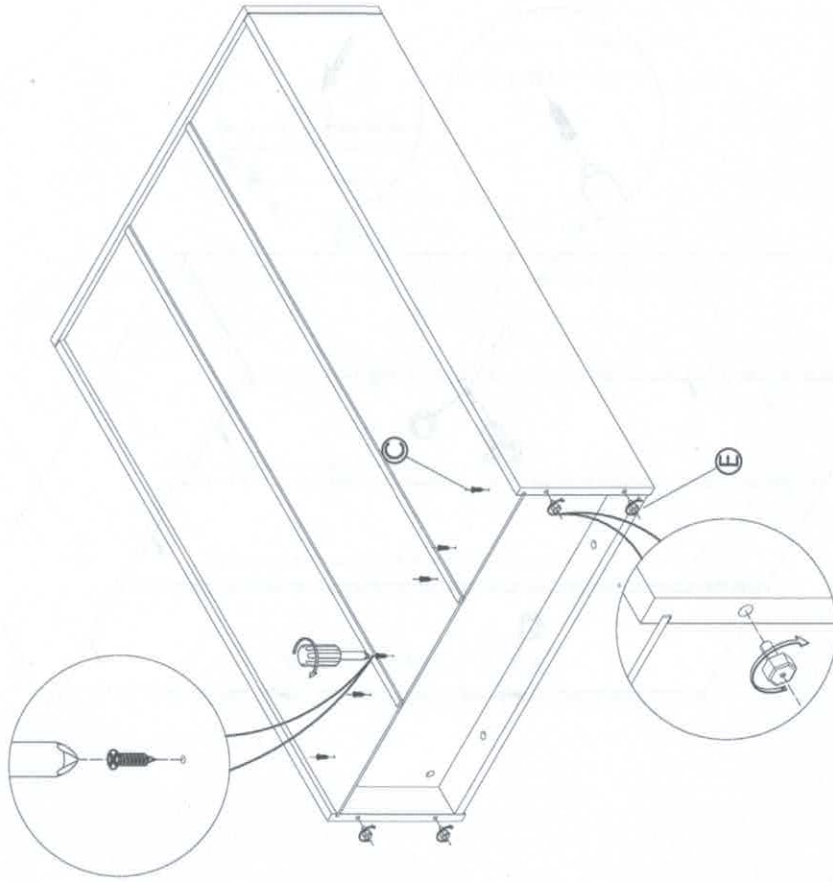


Figure 2

Adjustable Leg
MaxiB (X4)

Self-tapping Screw
ST3*16 (X6)

Assembly Instruction

STEP 8

Press the back panel stabilizer into the gap at the back of the back panel.
Then fix the back panel stabilizer with self-tapping screws (ST3 * 16).

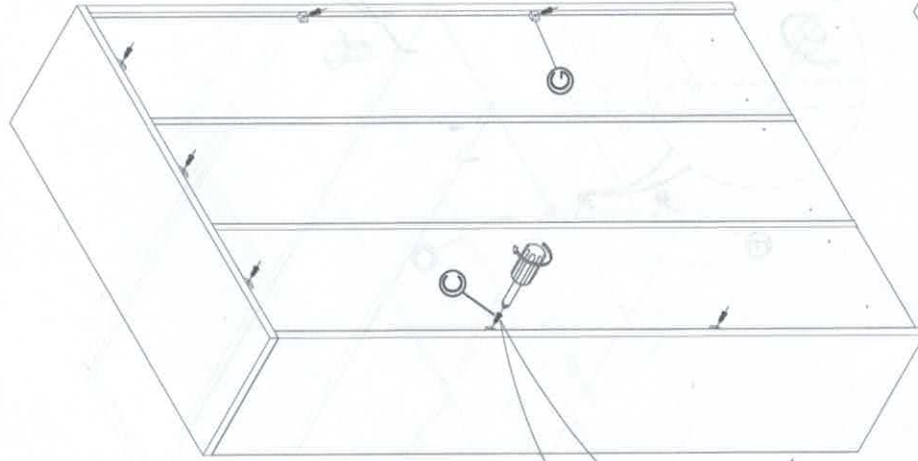


Figure 1

Figure 2



● Back Panel Stabilizer
13x14x10 (KT)

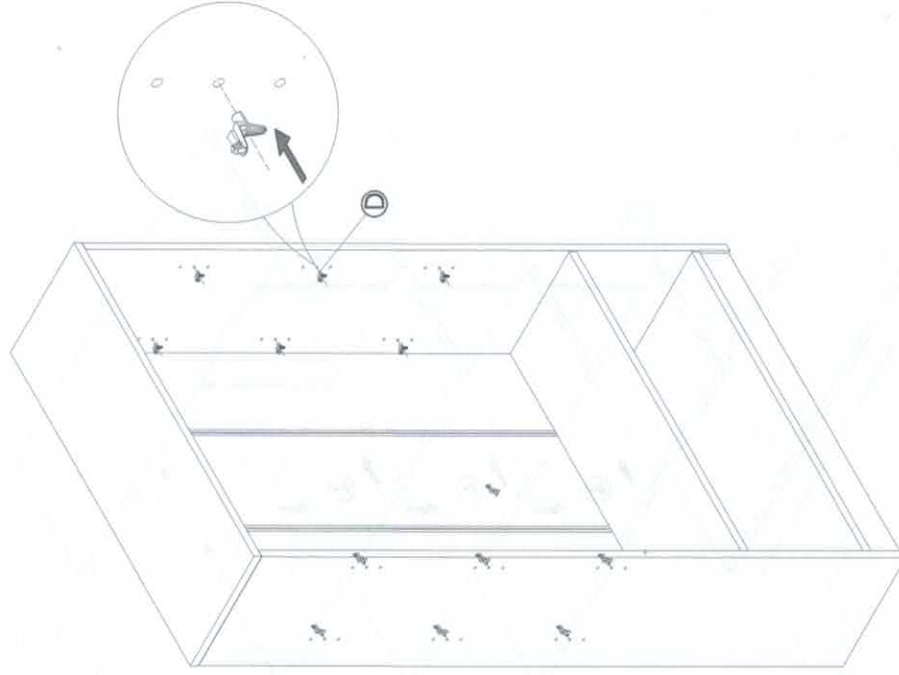


● Self-tapping Screw
ST3x16 (KT)

Assembly Instruction

STEP 9

Put the shelf supports (Φ5*15.5) in place to have different space as you desire.

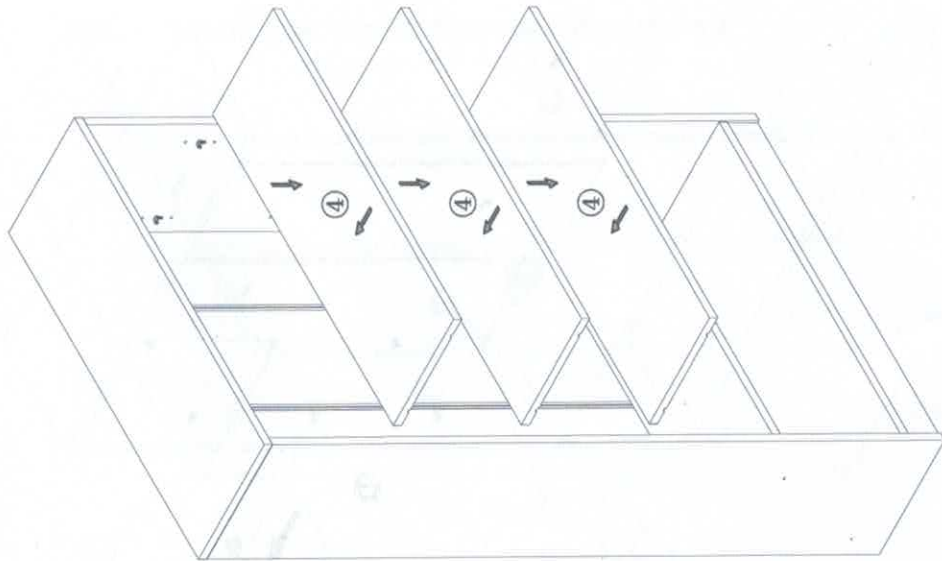


● Shelf Support
21*20.8*9 (KT)

Assembly Instruction

STEP 10

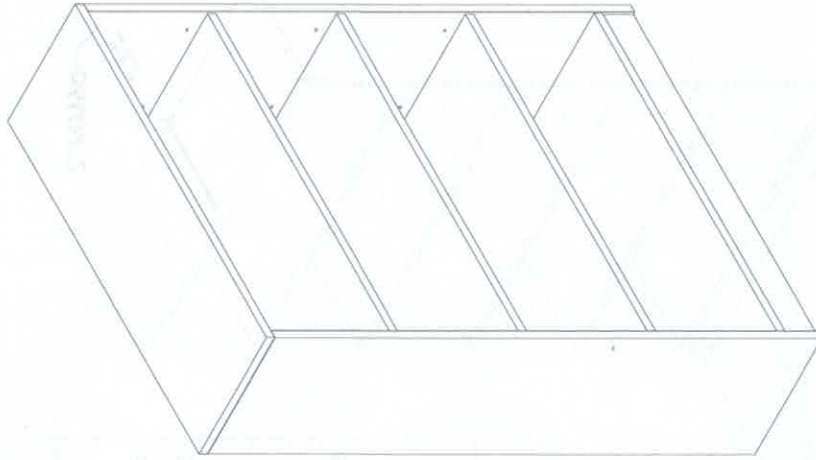
Place the movable panels accordingly. Make sure the panels are just right on the shelf supports.



Assembly Instruction

STEP 11

Place covers for klix cam.
Completed.



© Cover for
Klix Cam
692000.2 (X9)