

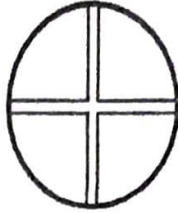
ASSEMBLY INSTRUCTION

PARTS LIST

1-1 Pc.



2-1 Pc.



3-4 Pcs.



FITTINGS

A-12Pcs



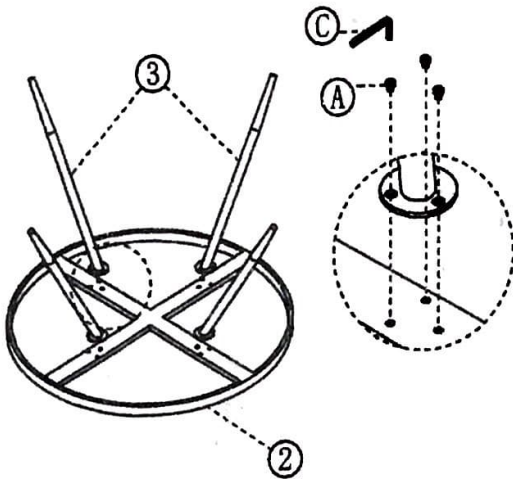
B-4Pcs



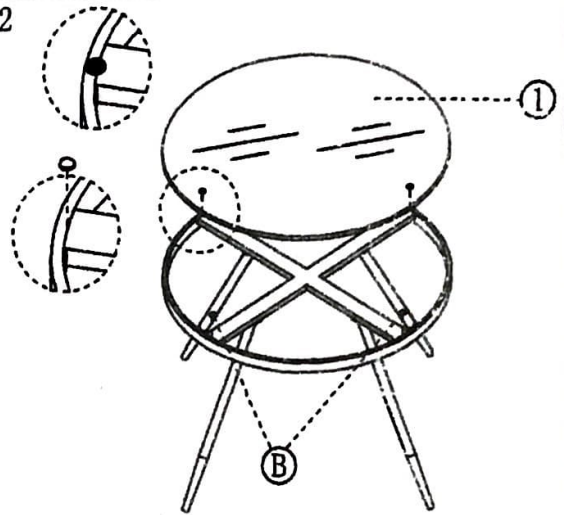
C-1Pc



1



2



3

