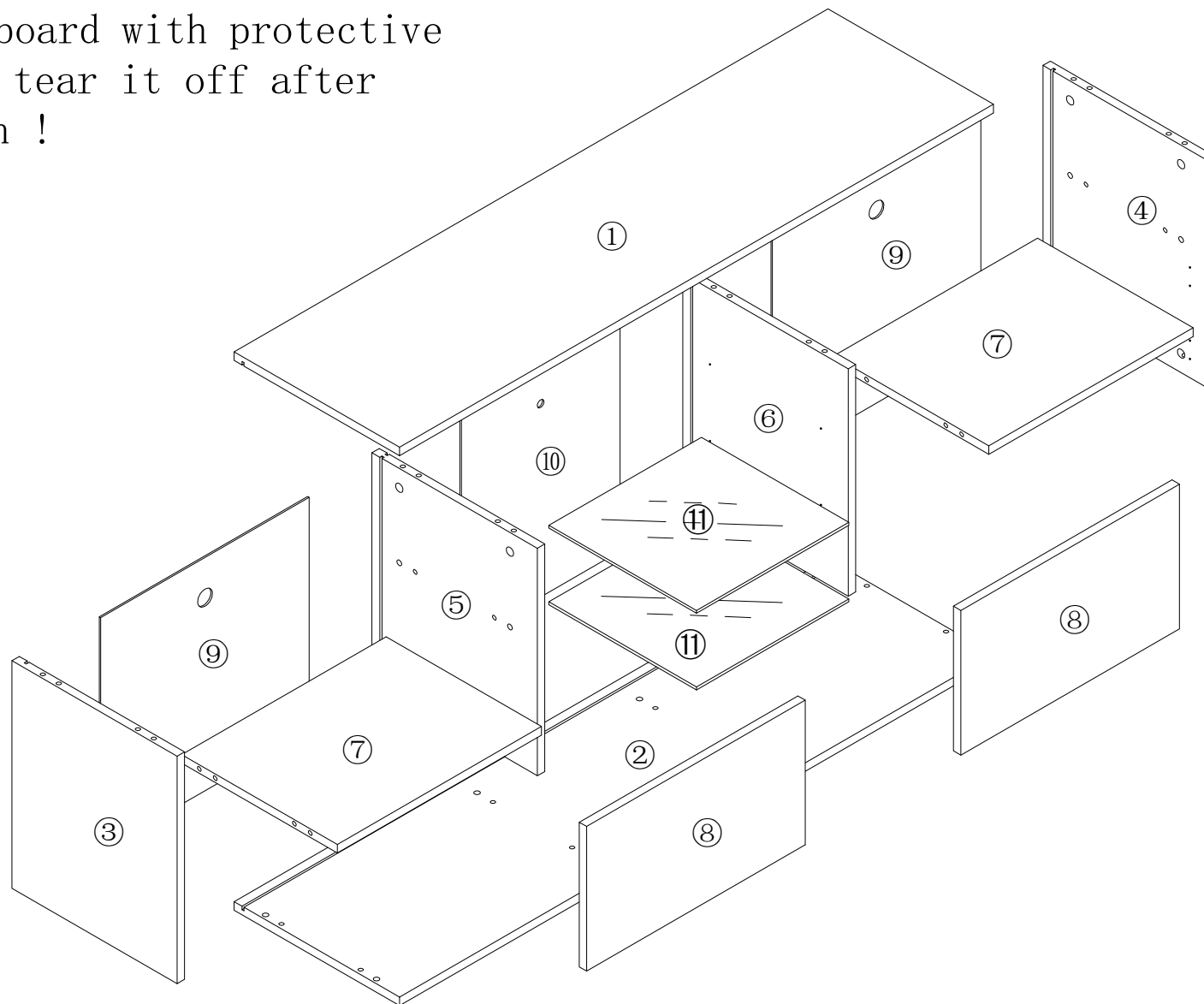
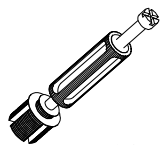


Note: No. 8 board with protective film. Please tear it off after installation!



A



24PCS

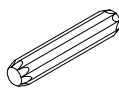
B



24PCS

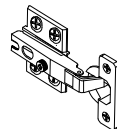
C

8\*40



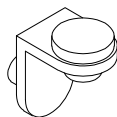
24PCS

D



4PCS

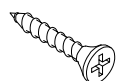
E



8PCS

F

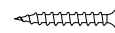
3.5\*14



32PCS

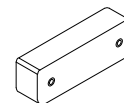
G

3.5\*25



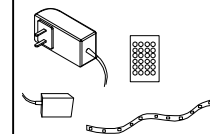
10PCS

H



5PCS

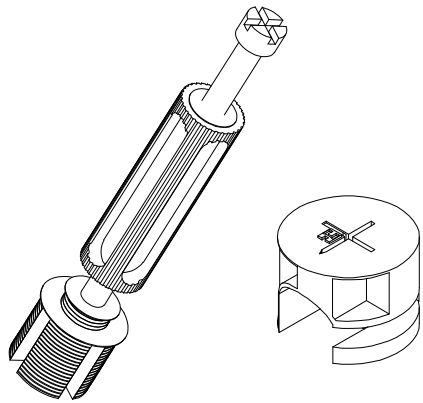
LED



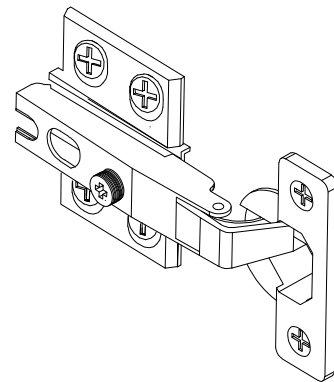
1PCS



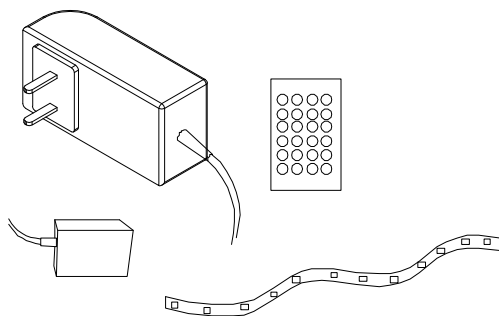
1PCS



Scan QR code for hardware instructions



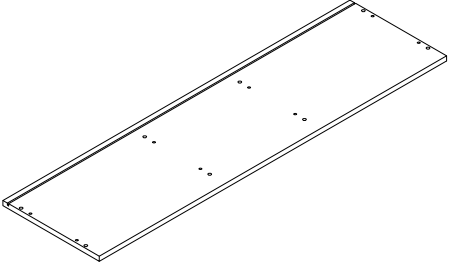
Scan QR code for hardware instructions

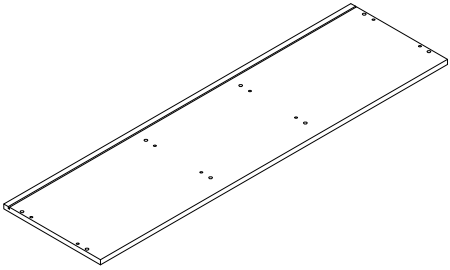


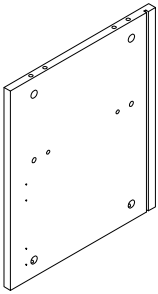
Scan QR code for hardware instructions

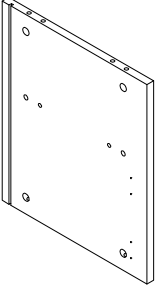


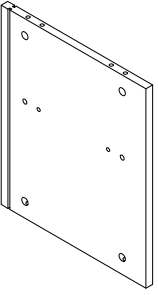
Scan QR code for LED operation

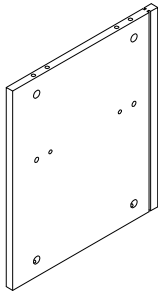
1  
1200\*334 (mm)  
47.24\*13.15 (inch)  
  
1 PCS

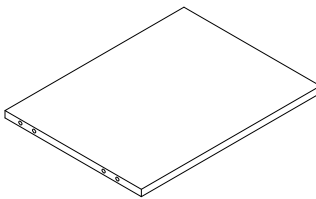
2  
1200\*334 (mm)  
47.24\*13.15 (inch)  
  
1 PCS

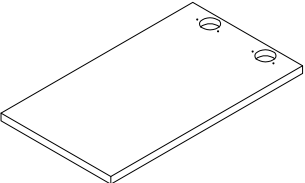
3  
398\*334 (mm)  
15.67\*13.15 (inch)  
  
1 PCS

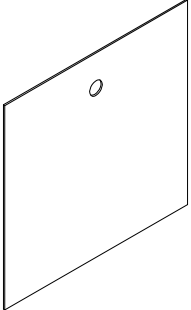
4  
398\*334 (mm)  
15.67\*13.15 (inch)  
  
1 PCS

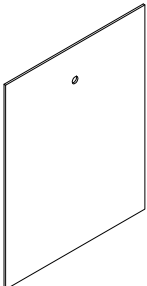
5  
398\*334 (mm)  
15.67\*13.15 (inch)  
  
1 PCS

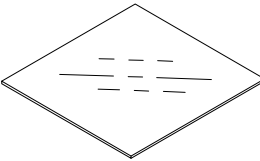
6  
398\*334 (mm)  
15.67\*13.15 (inch)  
  
1 PCS

7  
413\*314 (mm)  
16.26\*12.36 (inch)  
  
2 PCS

8  
442\*253 (mm)  
17.4\*9.96 (inch)  
  
2 PCS

9  
421\*408 (mm)  
16.57\*16.06 (inch)  
  
2 PCS

10  
321\*408 (mm)  
12.64\*16.06 (inch)  
  
1 PCS

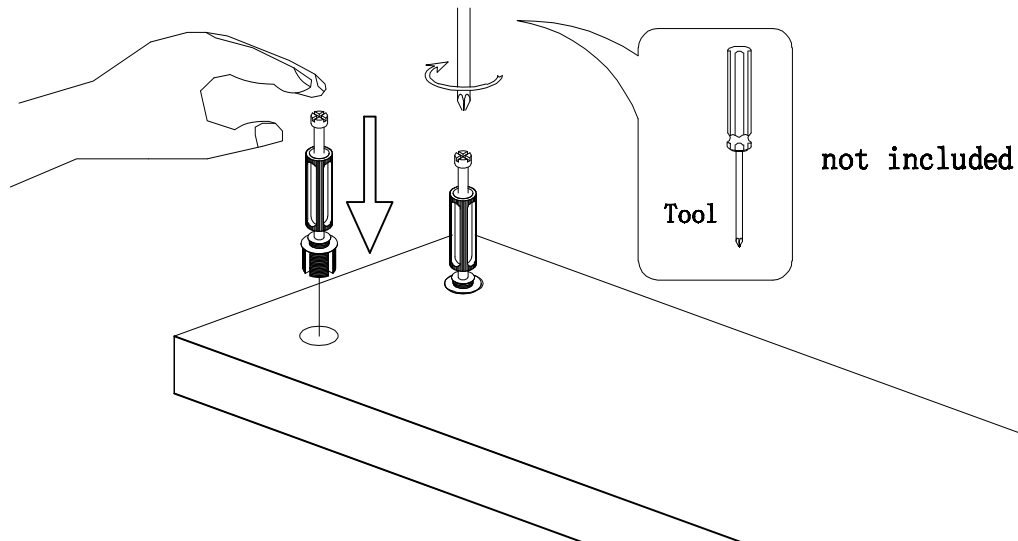
11  
308\*298 (mm)  
12.13\*11.73 (inch)  
  
2 PCS



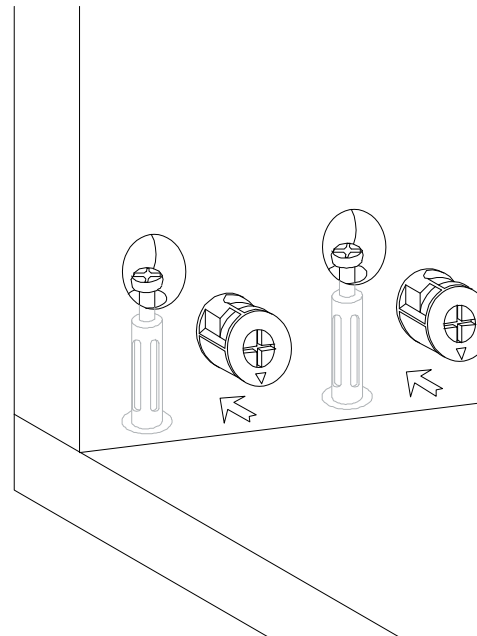
# Hardware installation demonstration

NOTE: Please make sure "A" hardware tightened and can't be pulled out!

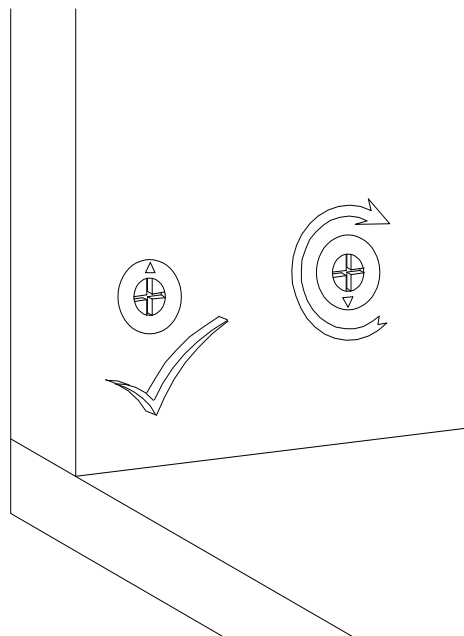
I



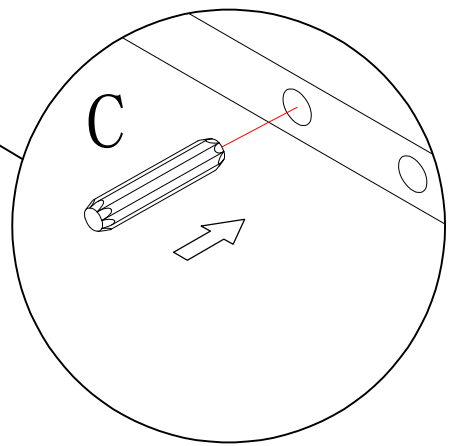
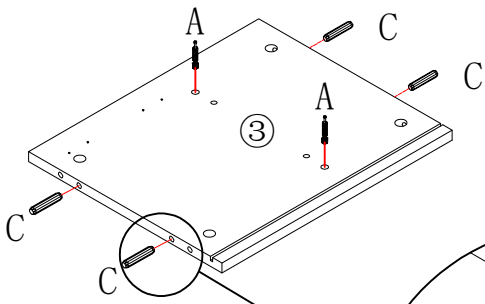
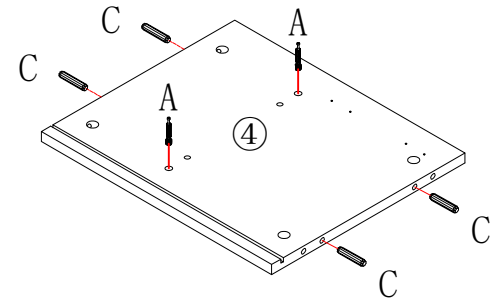
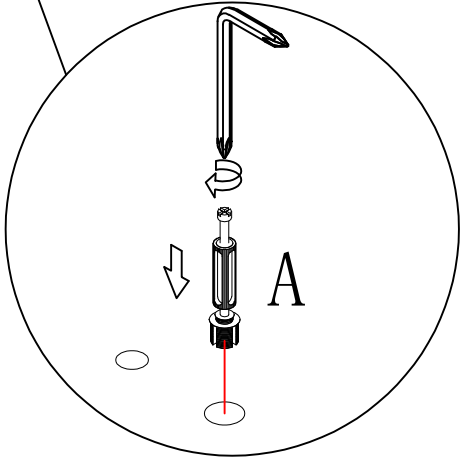
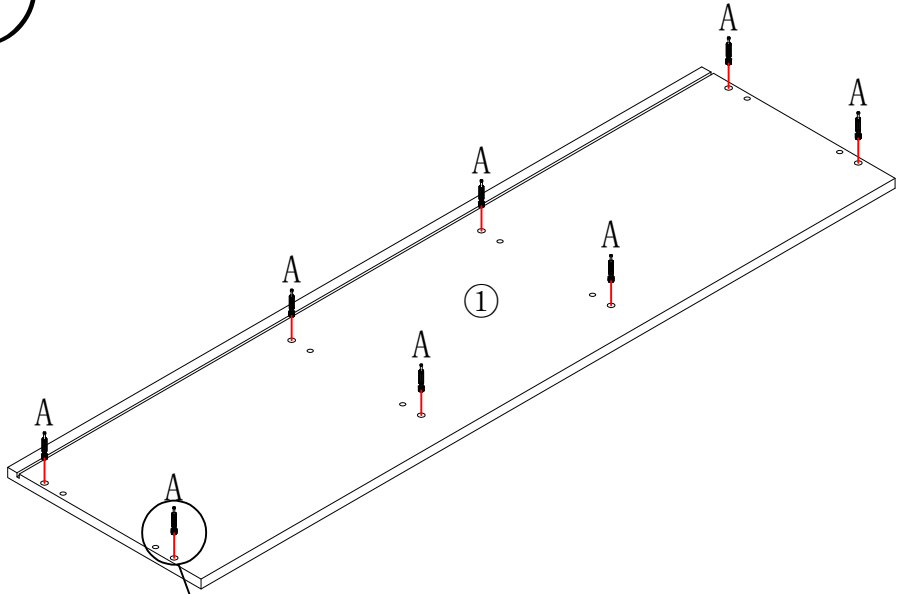
II


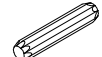


III

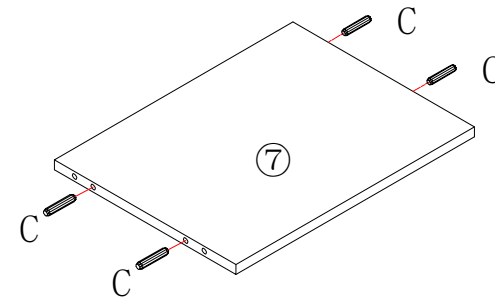
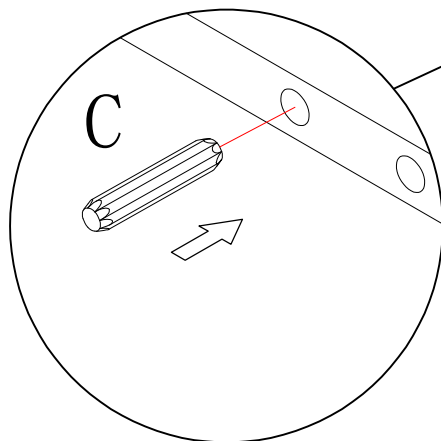
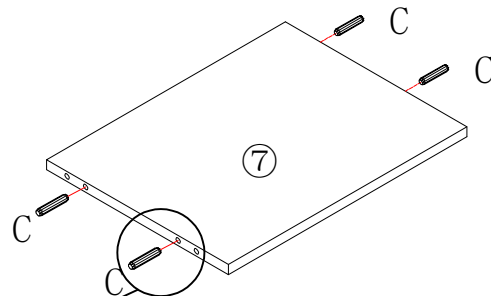
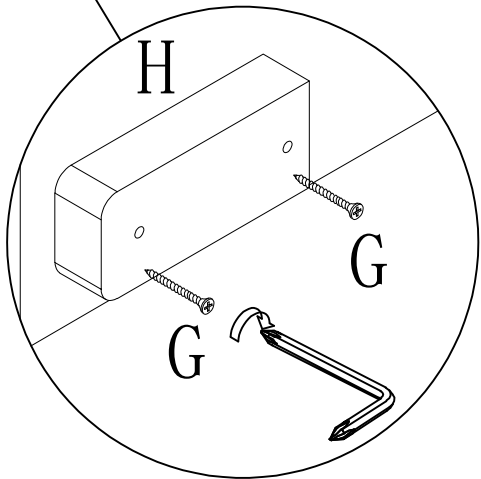
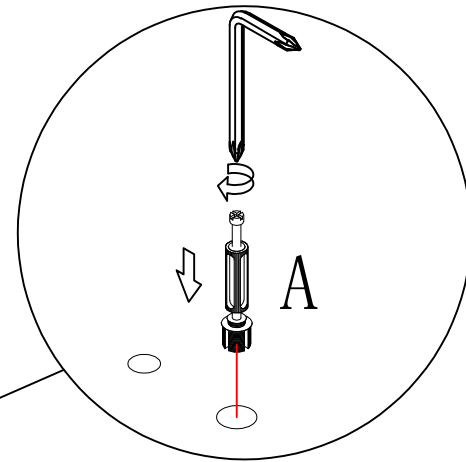
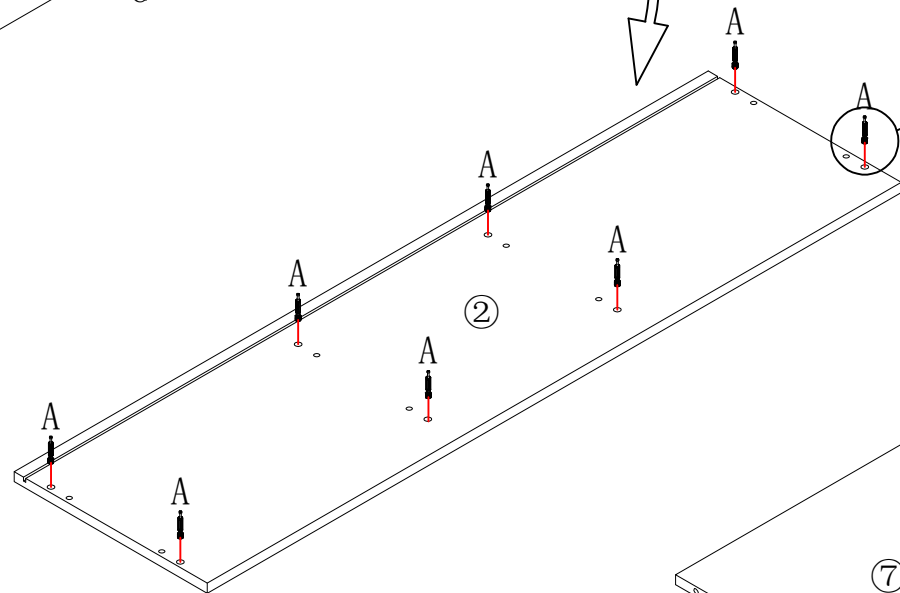
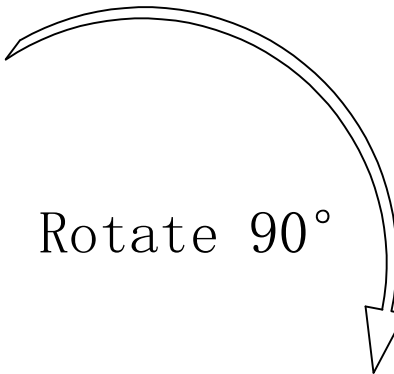
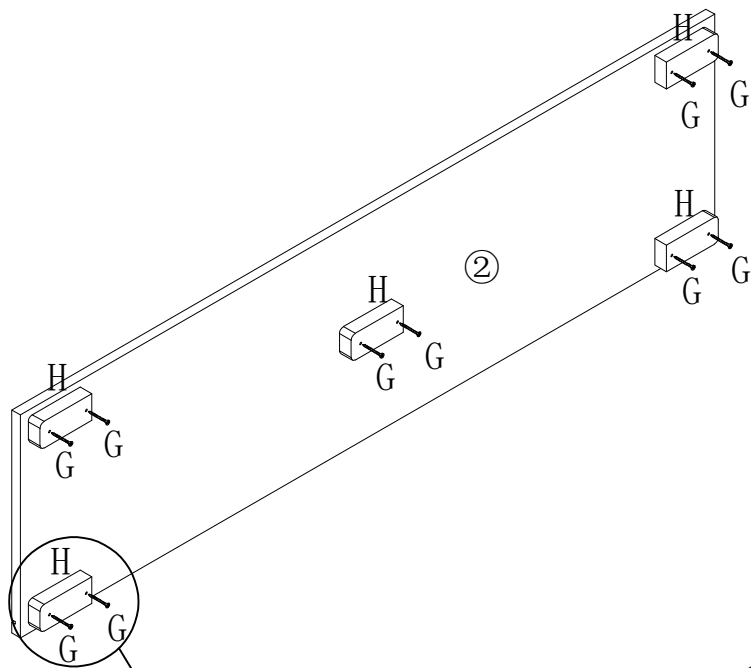



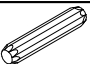
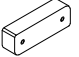

1



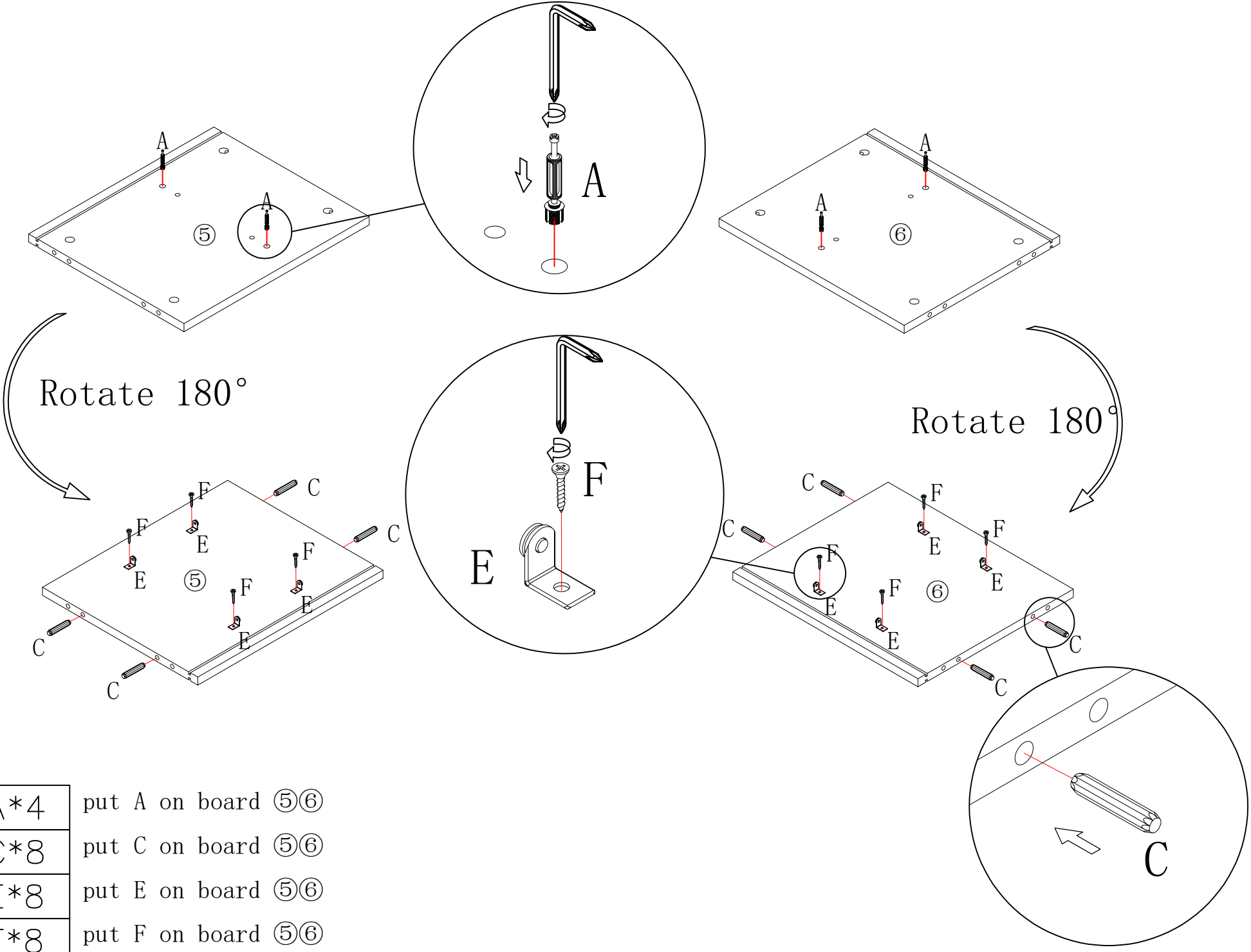
	A*12	put A on board ①③④
	C*8	put C on board ③④


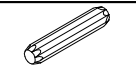


2



	A*8	put A on board ②
	C*8	put C on board ⑦
	H*5	put H on board ②
	G*10	put G on board ②

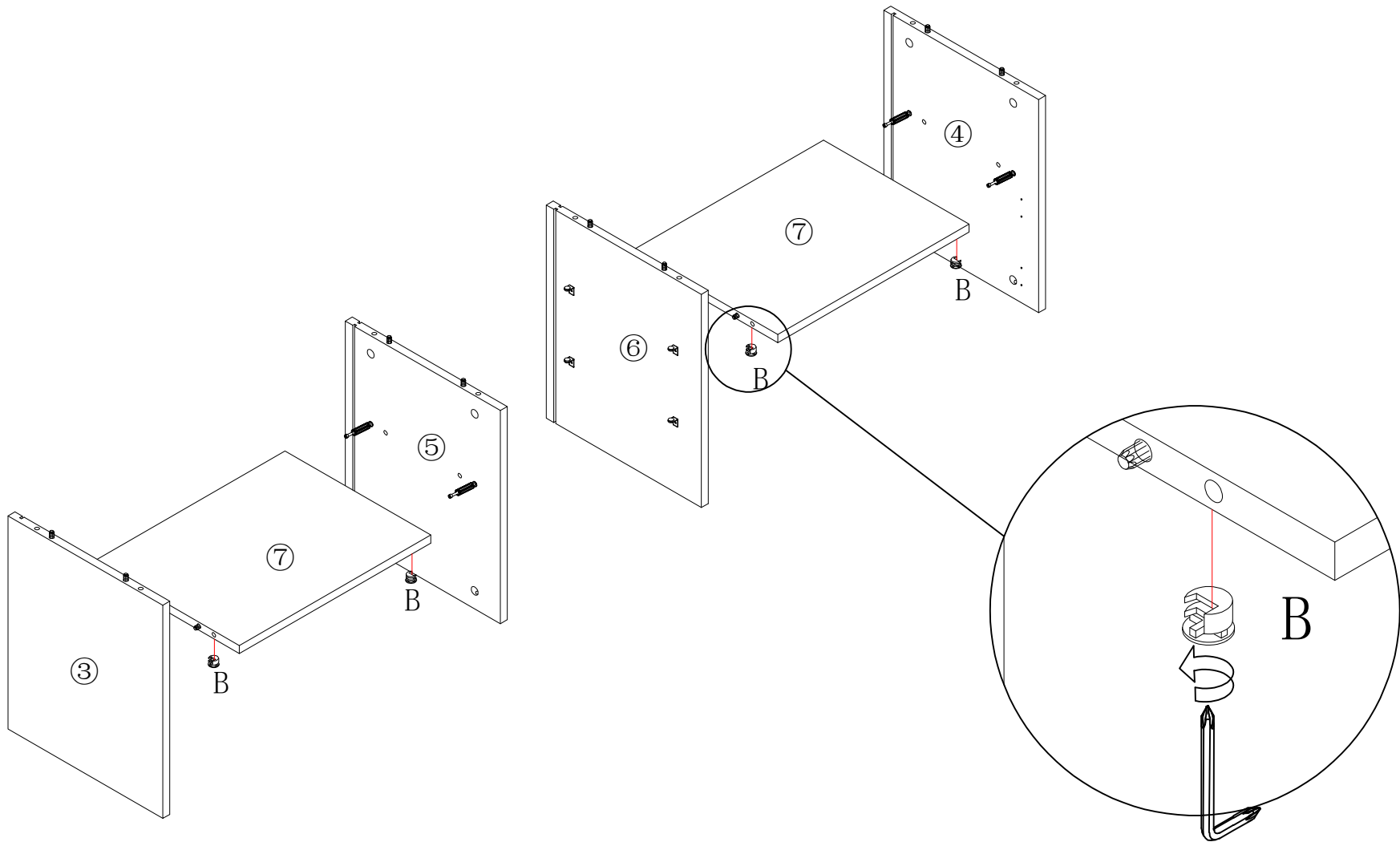
3



	A*4	put A on board ⑤⑥
	C*8	put C on board ⑤⑥
	E*8	put E on board ⑤⑥
	F*8	put F on board ⑤⑥



4



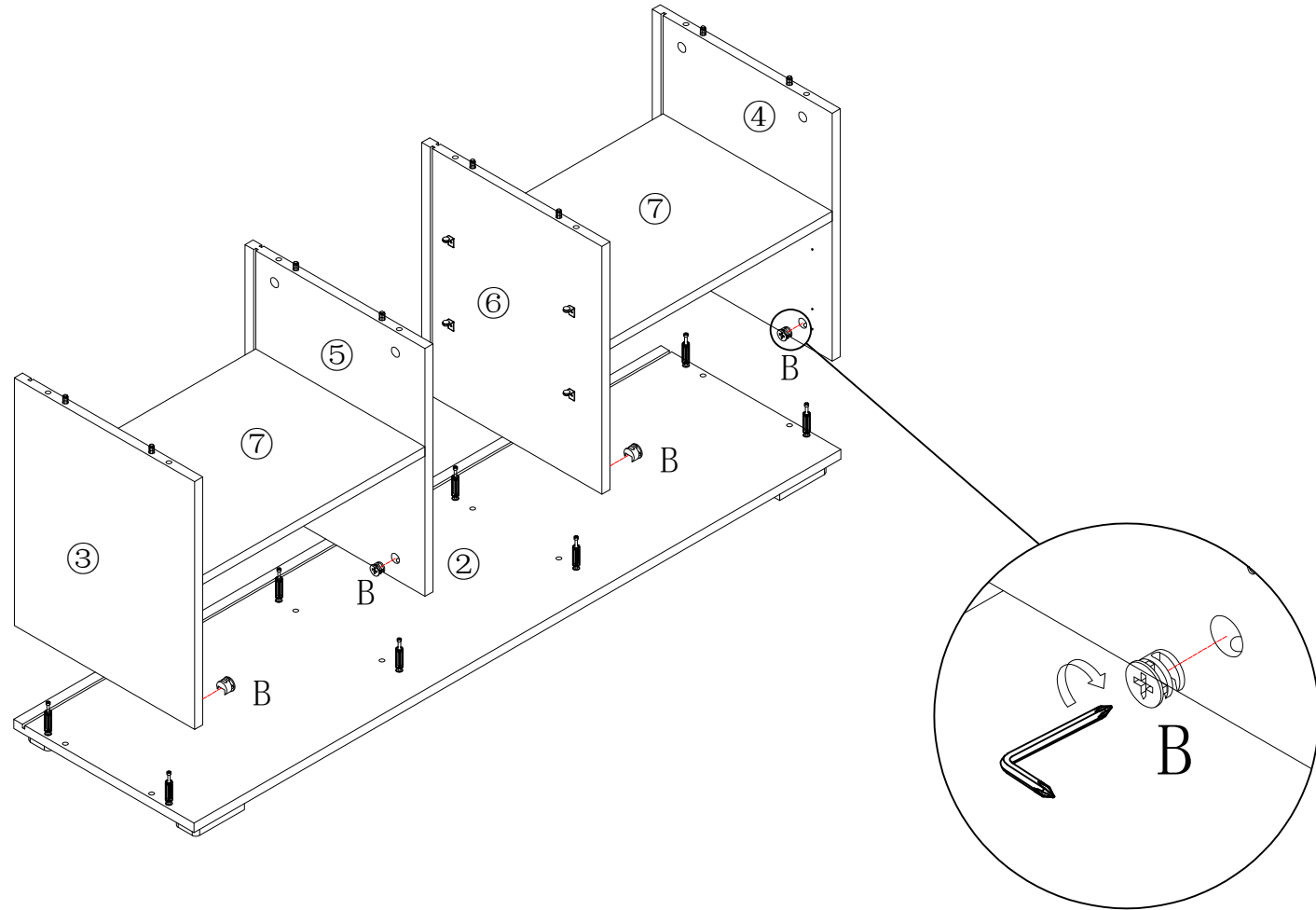
Make sure the arrow on the screw align to the hole on the side.



B\*8

put B on board ⑦

5



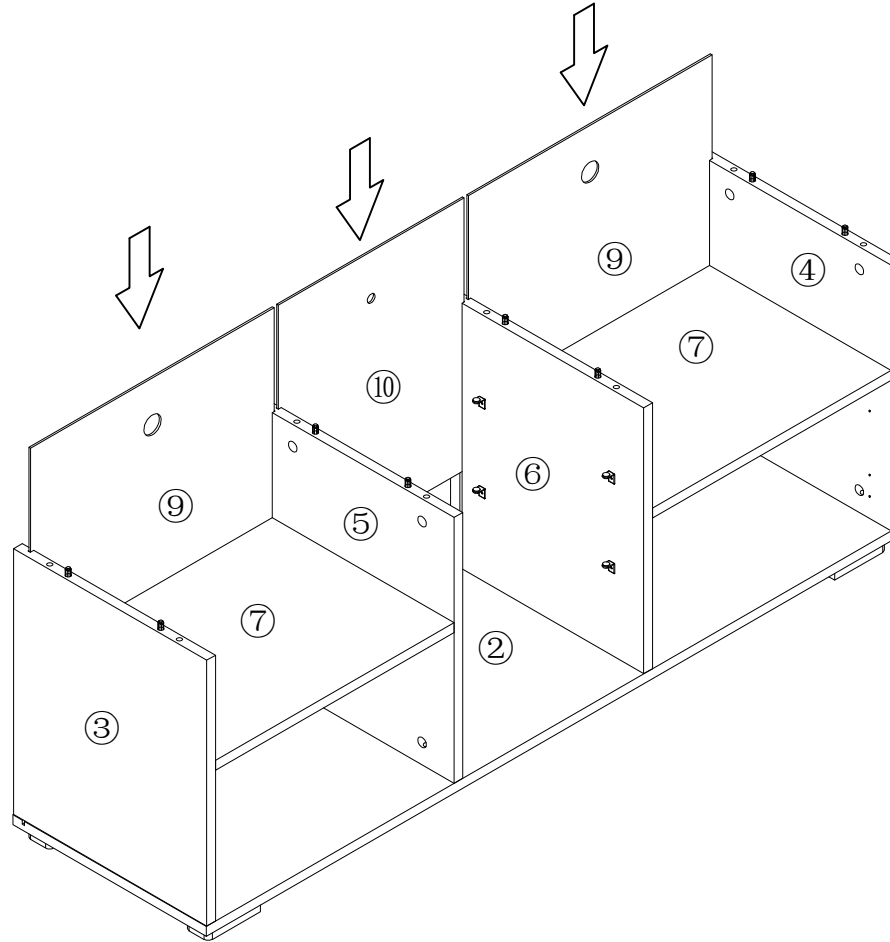
Make sure the arrow on the screw align to the hole on the side.



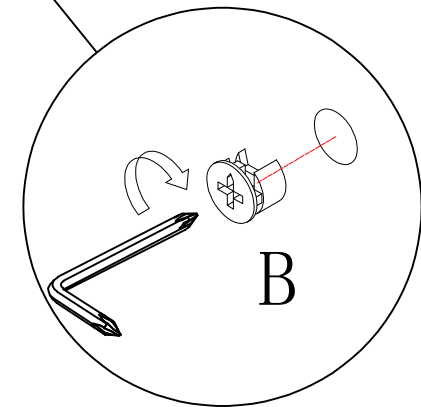
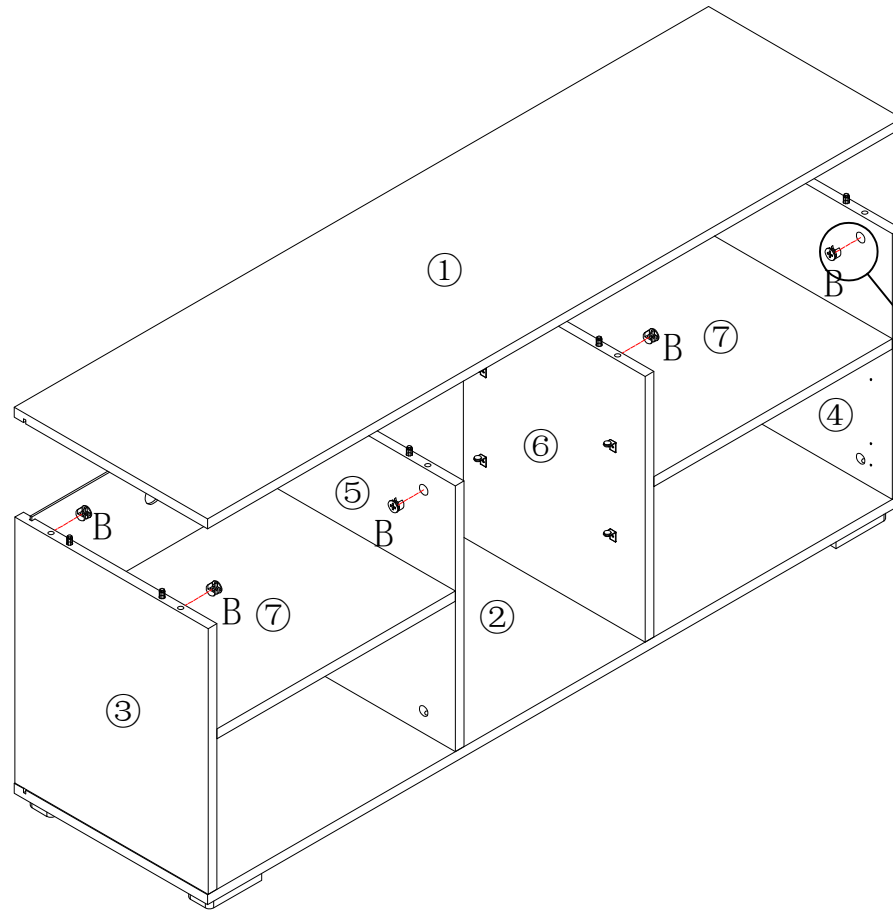
B\*8

put B on board ③④⑤⑥

6



7



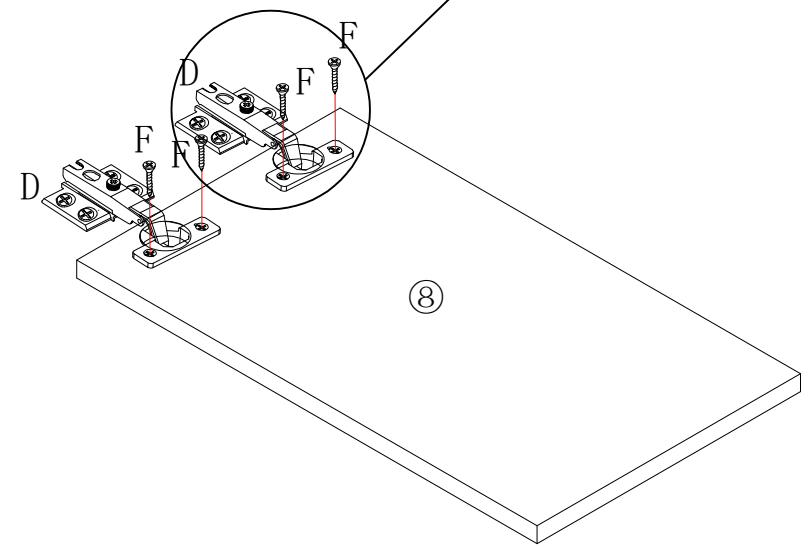
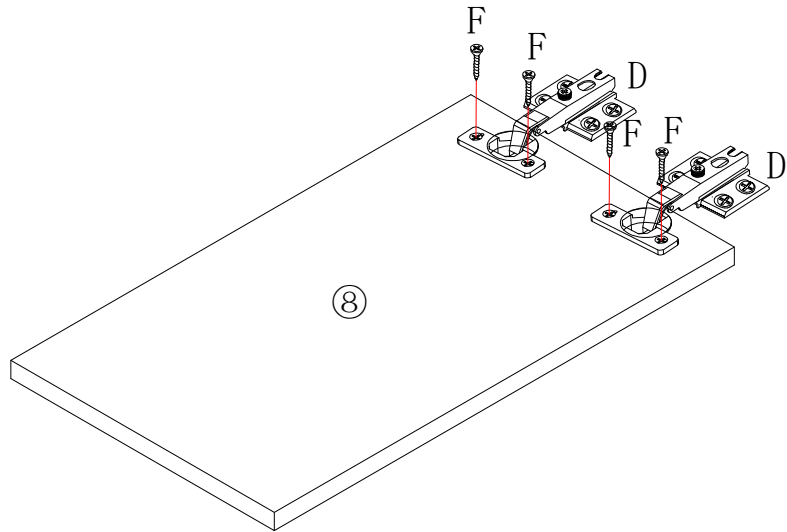
Make sure the arrow on the screw align to the hole on the side.

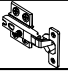



B\*8

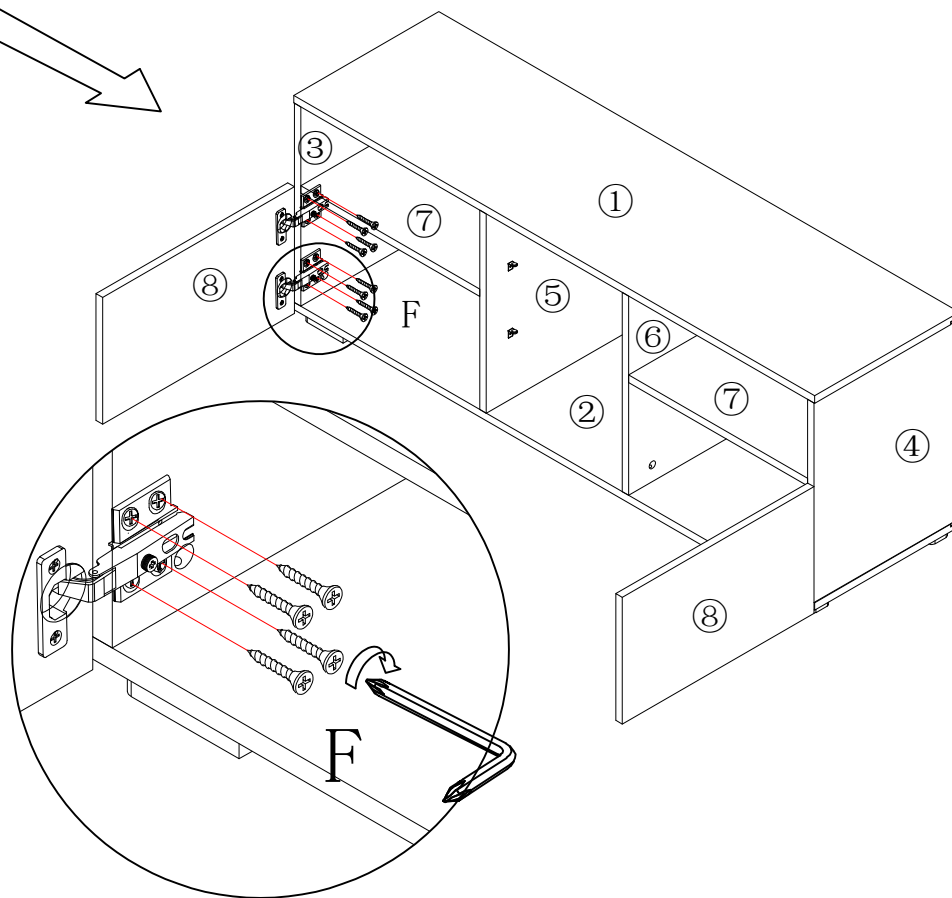
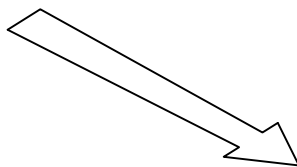
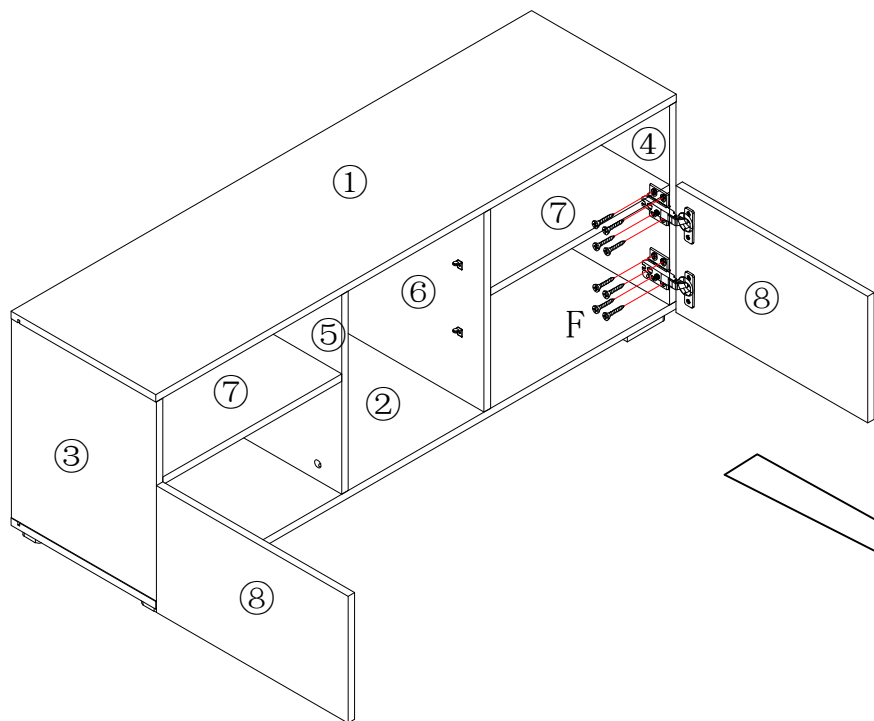
put B on board (3)(4)(5)(6)

8



	D*4	put D on board ⑧
	F*8	put F on board ⑧

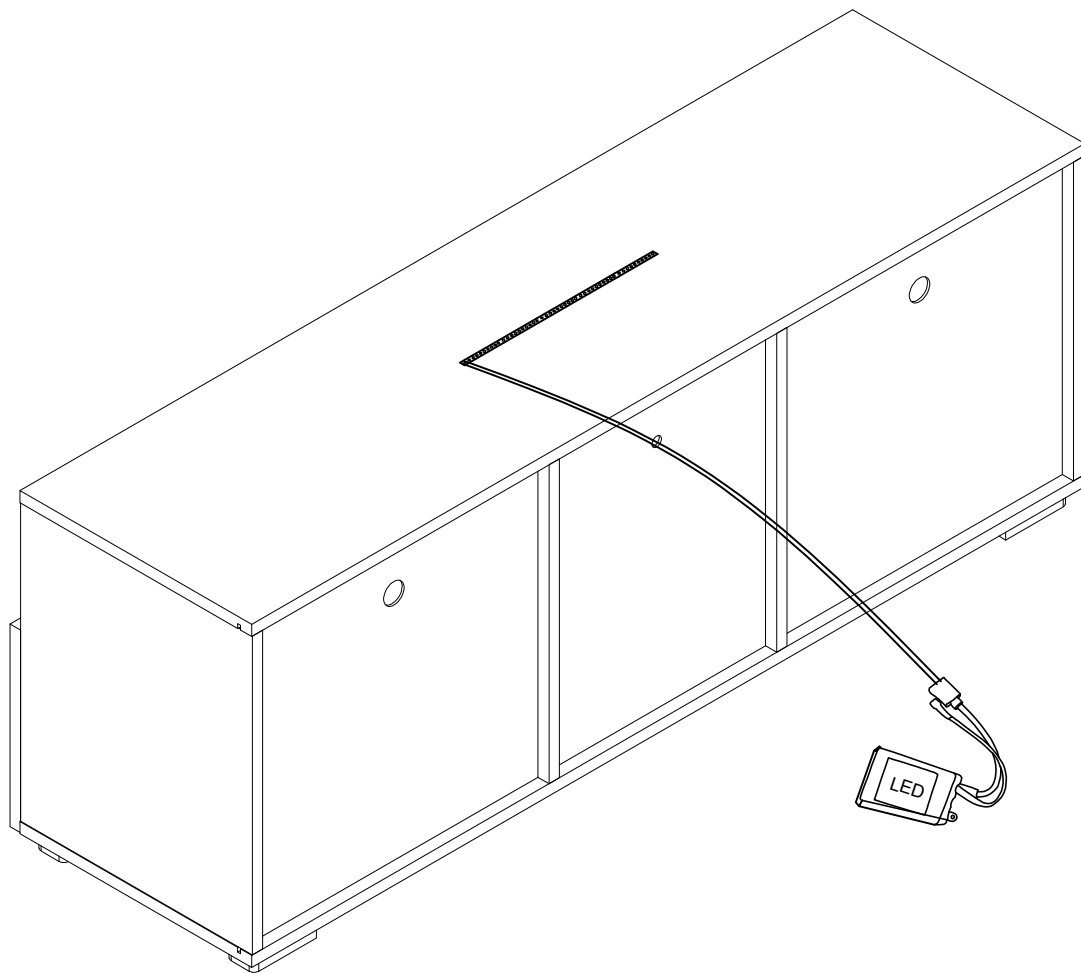
9



F\*16

put F on board ③④

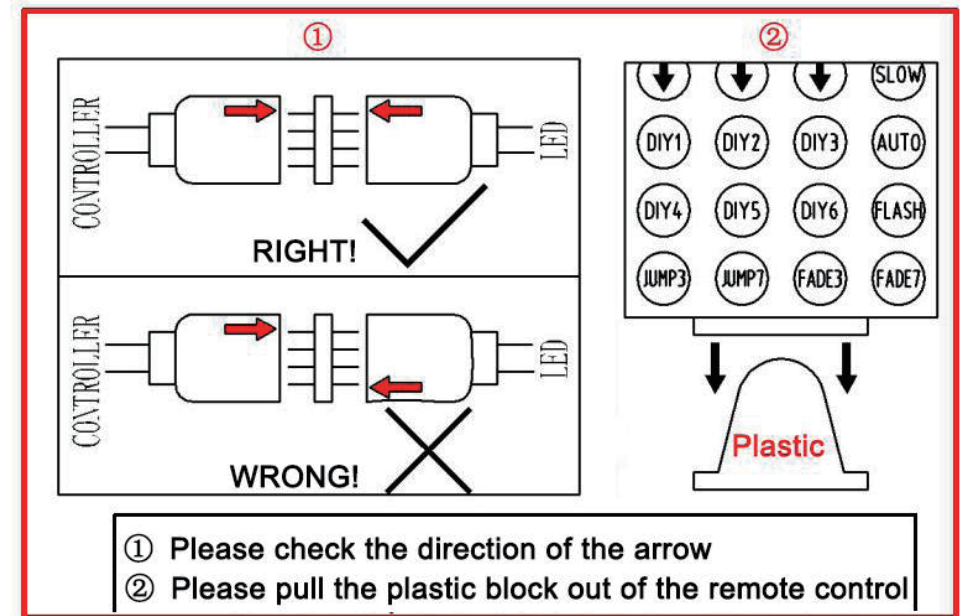
10



# LED Light

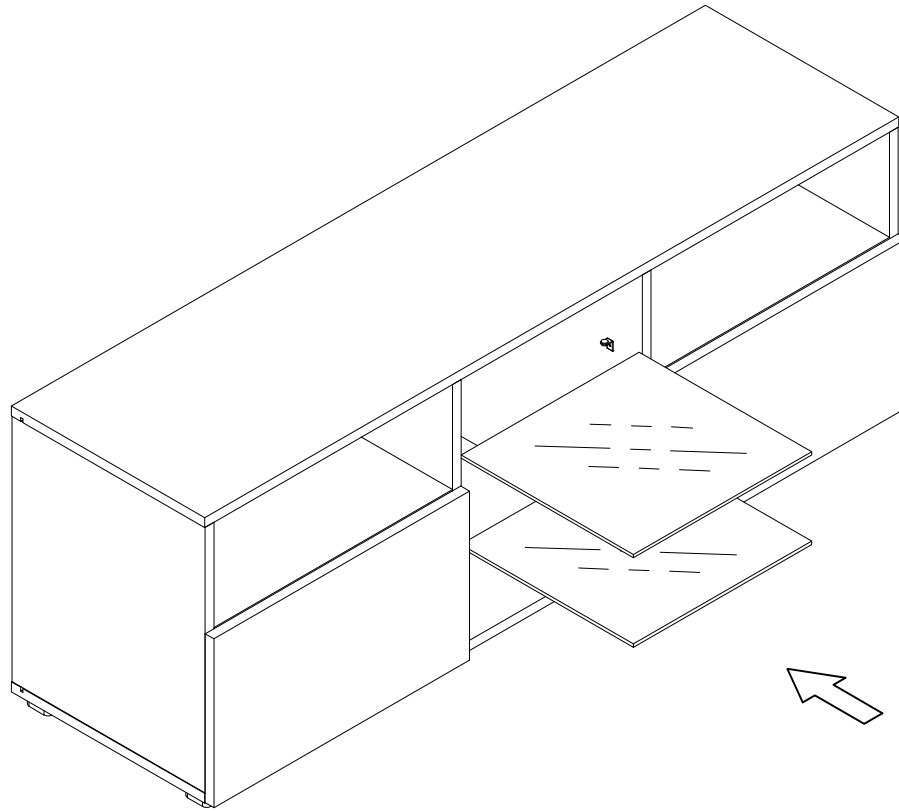
If you can't let the lights work successfully, please check the following:

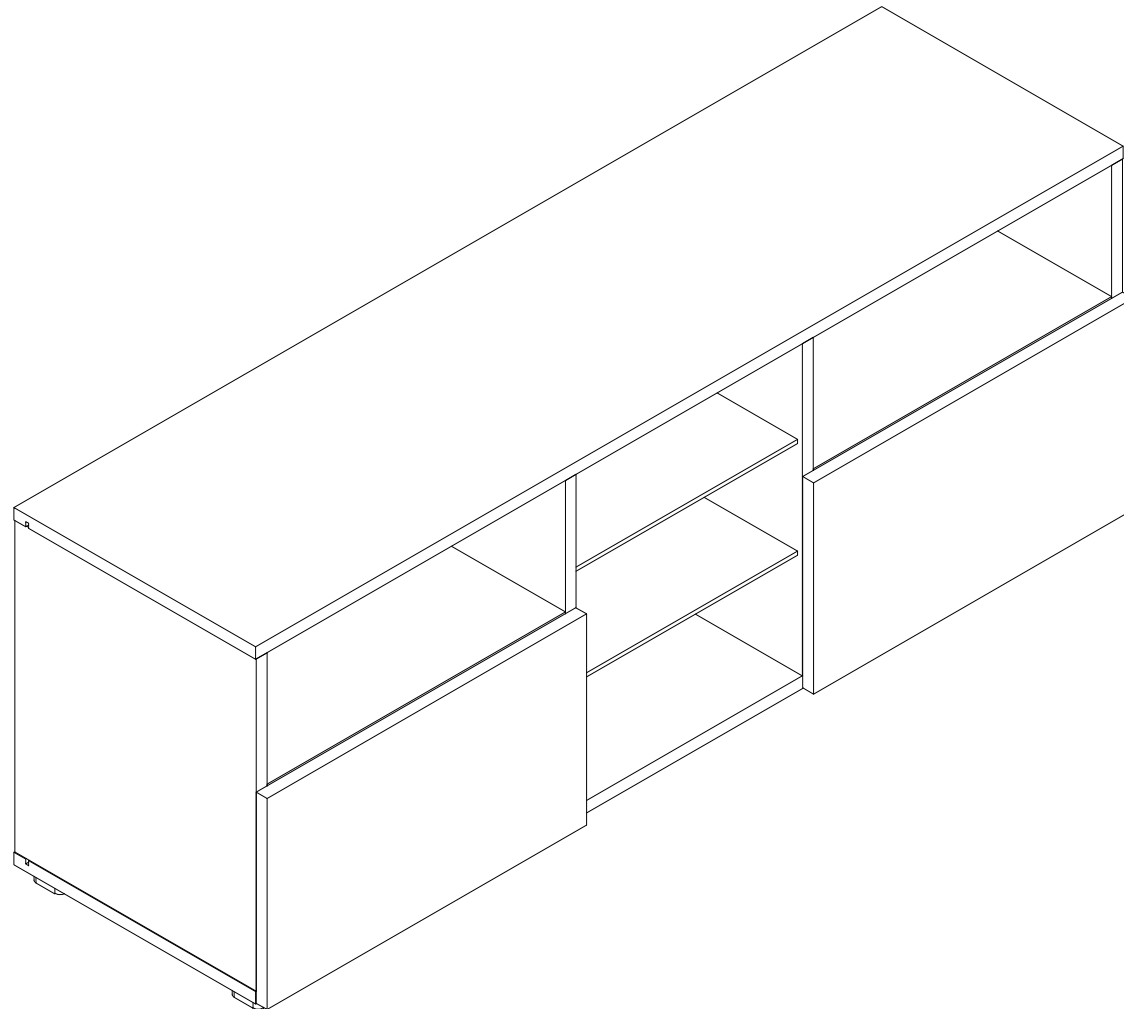
1. Please check the direction of the connect, try it in the opposite direction, according to the following picture.
2. Please check the remote control, it need you to tear down the plastic septum before use it.
3. Don't let the remote control too far from the receiver, make sure there is no obstruction between them.





11





--END--