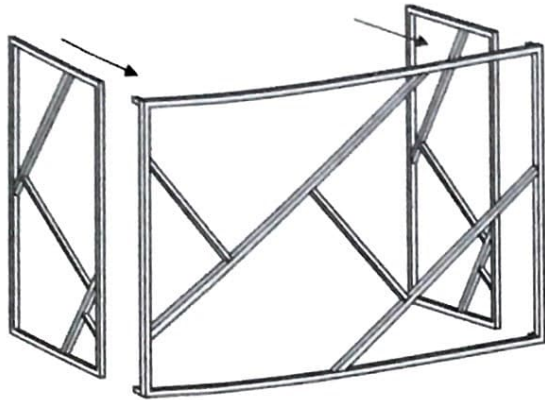


# Assembly drawing

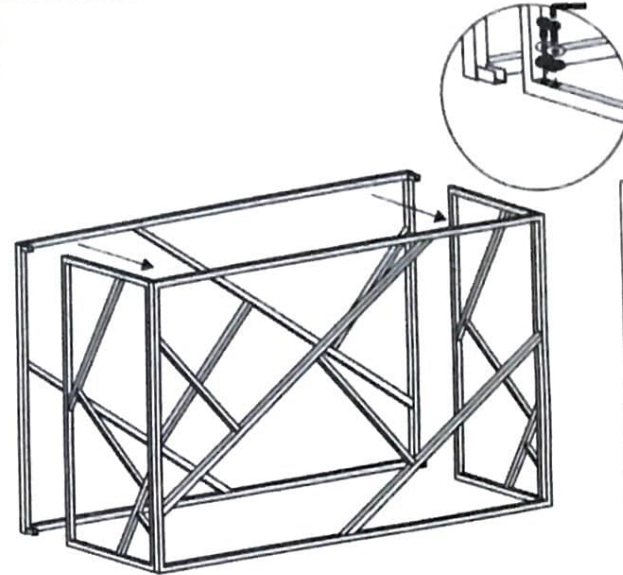
1



 X2

 X2

2



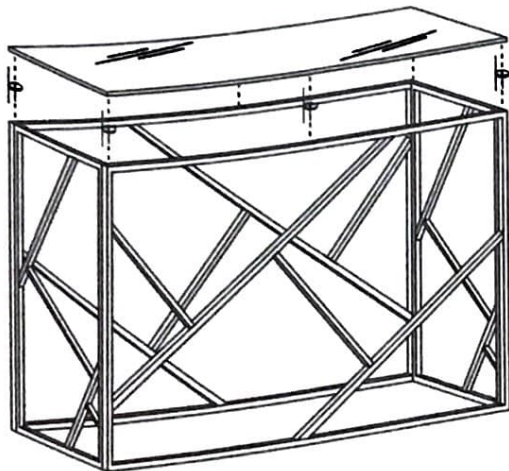
 X16

 X16

 X16

 X1

3



 X1

 X6

4

